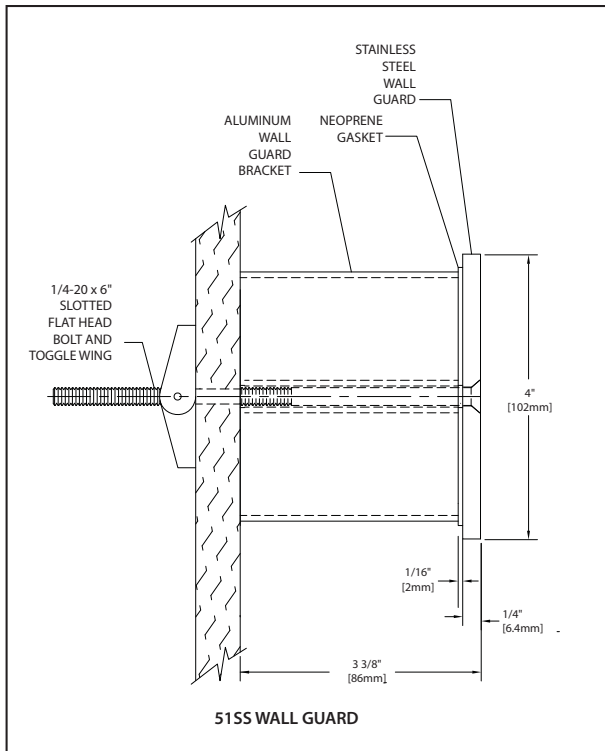


Installation Instructions

51SS and 56SSF Stainless Steel Wall Guard

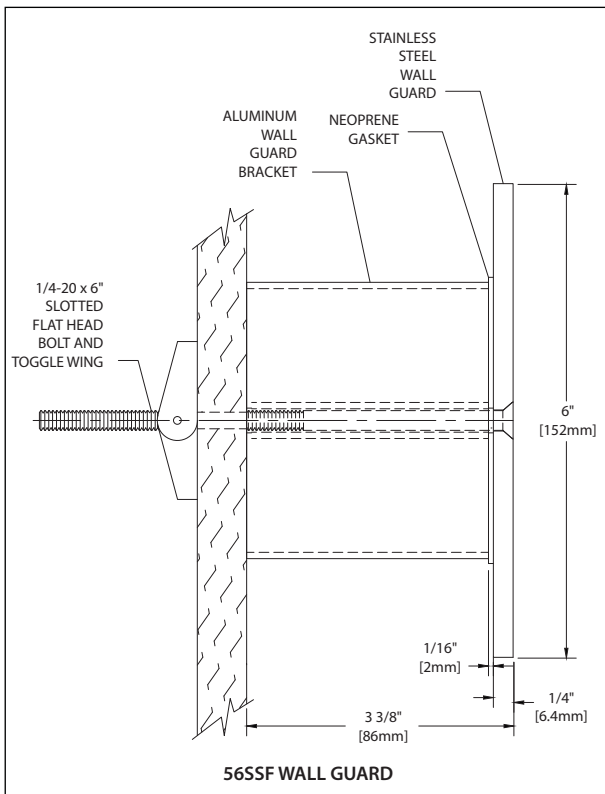
Please read all instructions before installing wallguard.



NOTE: The 51SS and the 56SSF Stainless Steel Wall Guards are manufactured to lengths specified by the customer.

51SS Wall Guard Components

- 51SSBAR - Wall Guard
- 51SSRR - Right Return
- 51SSLR - Left Return
- 51SSOC - Outside Corner
- 51SSIC - Inside Corner
- 51SSBK-M - Bracket
- 51SSGA - Gasket



56SSF Wall Guard Components

- 56SSFBAR - Wall Guard
- 56SSFRR - Right Return
- 56SSFLR - Left Return
- 56SSFOC - Outside Corner
- 56SSFIC - Inside Corner
- 56SSFBK-M - Bracket
- 56SSFGA - Gasket

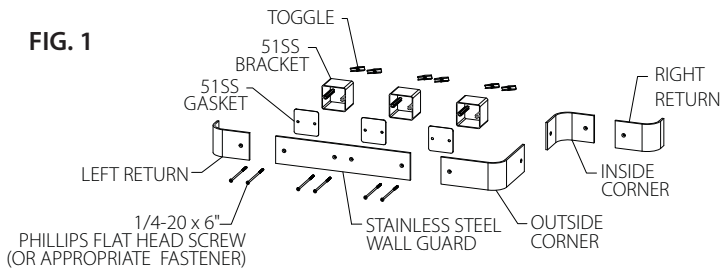
IPC.481/REV.3

Installation Instructions

51SS and 56SSF Stainless Steel Wall Guards

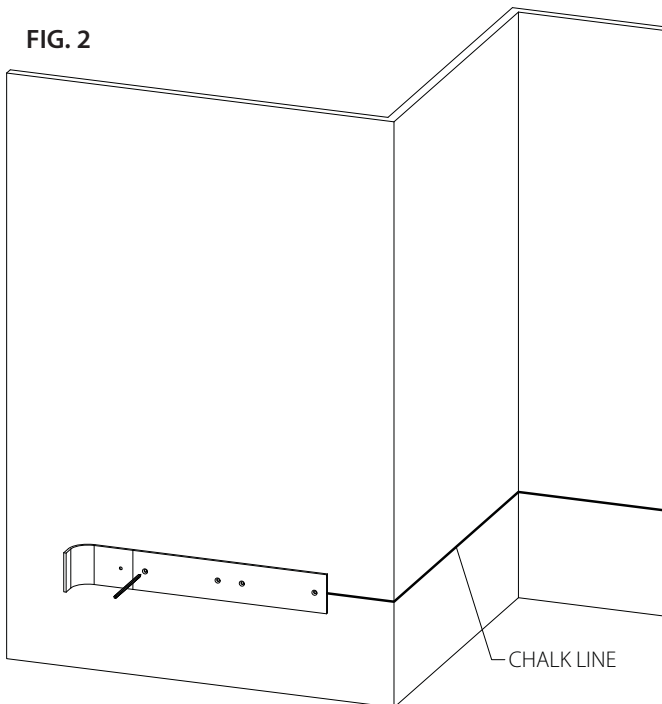
Please read all instructions before installing wallguard.

FIG. 1



1. Layout the wall guard sections in the installation area. See Figure 1.

FIG. 2



2. Determine the height of the wall guard. Snap a chalk line:

51SS - 2" [51mm] below that height

56SSF - 3" [76mm] below that height

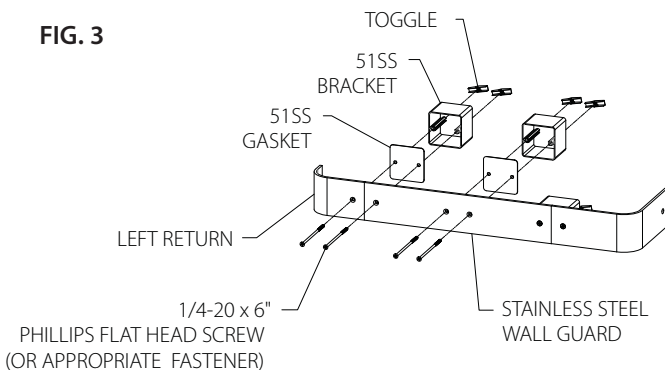
The chalk line is the centerline of the fasteners.

3. Use the wall guard as a template to mark the mounting hole locations. If inside and outside corners are part of the installation allow 3-1/8" [80mm] for the bracket and gasket depth when positioning the wall guard. The distance from the wall to the back of the wall guard is 3-1/8" [80mm].

Drill marked holes with 3/4" drill bit for toggle bolts (drywall installation) or 1/2" drill bit for lead anchor (concrete wall installation). Mount brackets to wall, tighten screws to secure.

See Figure 2.

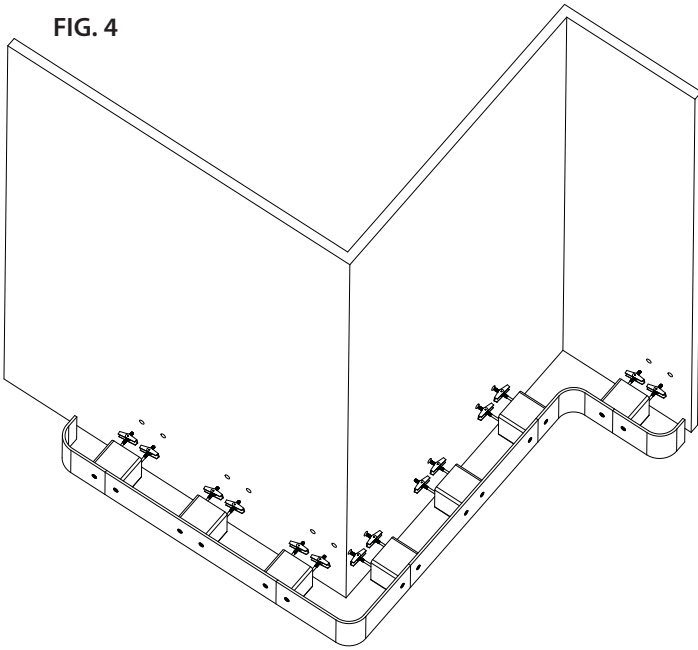
FIG. 3



4. Loosely attach the wall guard, gasket, mounting bracket and appropriate fasteners at each mounting location. When the installation involves longer lengths or is a continuous installation with corners, a single bracket is used at the butt joint. See Figure 3.

Please read all instructions before installing wallguard.

FIG. 4



5. Lift the wall guard assembly to the wall, level and tighten until secure making sure any butt joints are aligned.

See Figure 4.

FIG. 5

