

SPECIFY SEAL COLOR:	
Black (J1D101)	
Beige (J1D102)	
Gray (J1D103)	
Off White (J1D104)	
Bright White (J1D105)	

101-A01-02538 SYSTEM

Joint Width		Movement ±			
		Horizontal		Vertical	
US	mm	US	mm	US	mm
1"	25	1/4"	6	1/4"	6

FINISH: ALUMINUM FINISH-MILL

JOINTMASTER™
EXPANSION JOINT SYSTEMS

DATE: 02-10-17

SCALE: 1:2

DOC: CADJM.056/Rev1

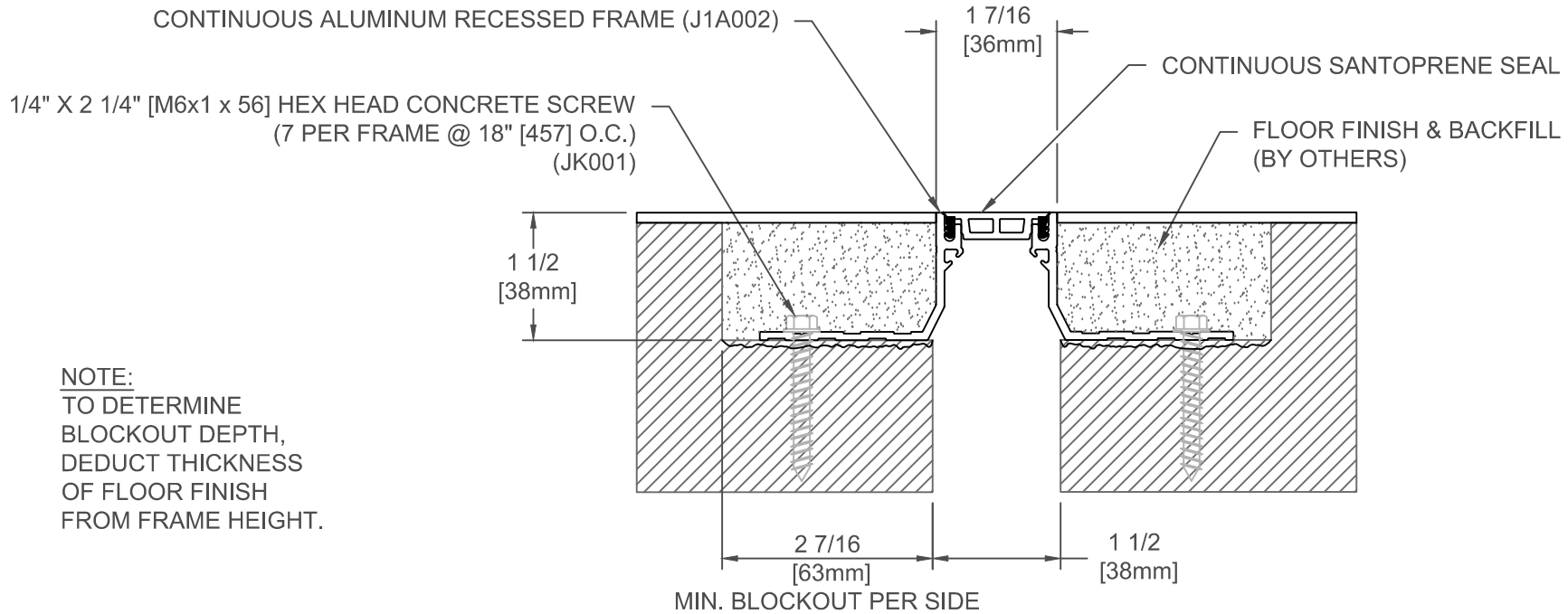
APPLICATION-RECESSED
FLOOR/FLOOR CONDITIONS

PROJECT:

CUSTOMER:

LOCATION:

inpro.



SPECIFY SEAL COLOR:	
Black (J1D151)	
Beige (J1D152)	
Gray (J1D153)	
Off White (J1D154)	
Bright White (J1D155)	

101-A01-03838 SYSTEM

Joint Width		Movement ±			
		Horizontal		Vertical	
US	mm	US	mm	US	mm
1-1/2"	38	3/8"	10	3/8"	10

FINISH: ALUMINUM FINISH-MILL

JOINTMASTER™
EXPANSION JOINT SYSTEMS

DATE: 02-10-17

SCALE: 1:2

DOC: CADJM.056/Rev1

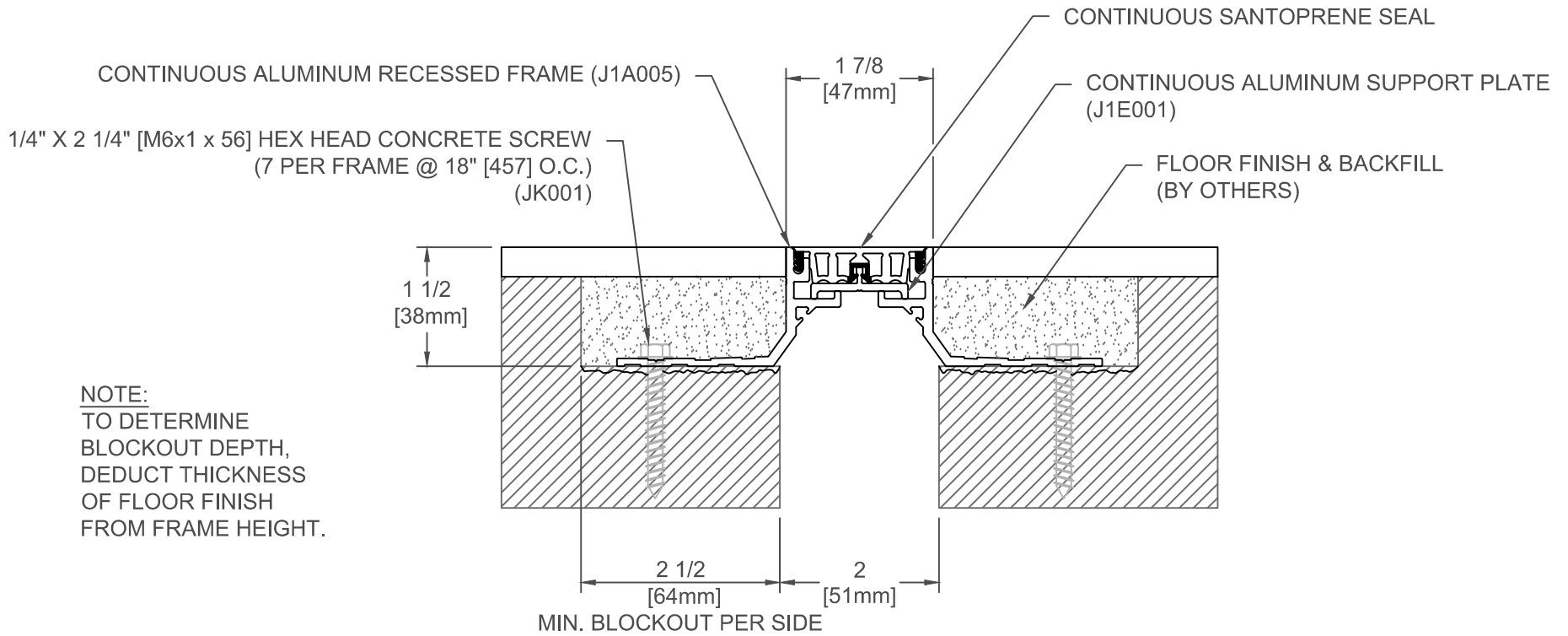
APPLICATION-RECESSED
FLOOR/FLOOR CONDITIONS

PROJECT:

CUSTOMER:

LOCATION:

inpro.



SPECIFY SEAL COLOR:	
Black (J1D201)	
Beige (J1D202)	
Gray (J1D203)	
Off White (J1D204)	
Bright White (J1D205)	

101-A01-05038 SYSTEM

Joint Width		Movement ±			
		Horizontal		Vertical	
US	mm	US	mm	US	mm
2"	51	1/2"	13	1/2"	13

FINISH: ALUMINUM FINISH-MILL

JOINTMASTER™
EXPANSION JOINT SYSTEMS

DATE: 02-10-17

SCALE: 1:2

DOC: CADJM.056/Rev1

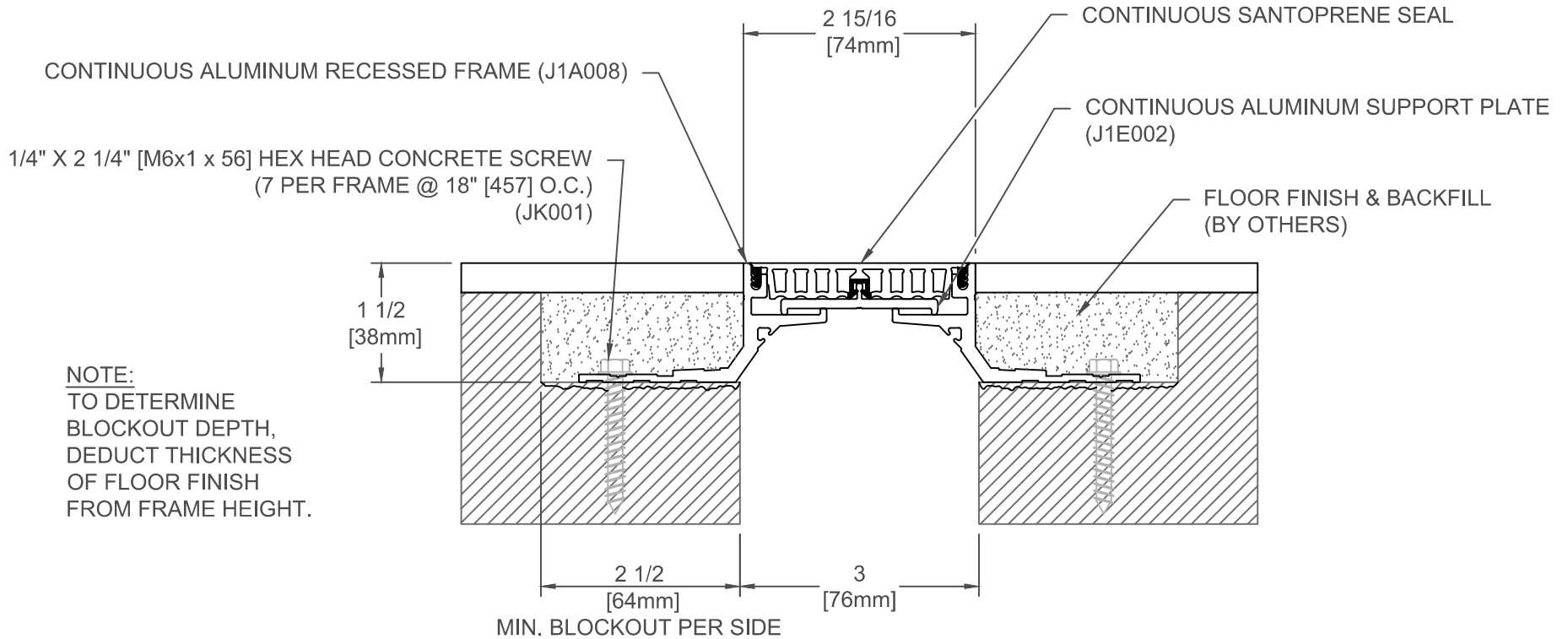
APPLICATION-RECESSED
FLOOR/FLOOR CONDITIONS

PROJECT:

CUSTOMER:

LOCATION:

inpro.



SPECIFY SEAL COLOR:	
Black (J1D301)	
Beige (J1D302)	
Gray (J1D303)	
Off White (J1D304)	
Bright White (J1D305)	

101-A01-07538 SYSTEM

Joint Width		Movement ±			
		Horizontal		Vertical	
US	mm	US	mm	US	mm
3"	76	3/4"	19	3/4"	19

FINISH: ALUMINUM FINISH-MILL

JOINTMASTER™
EXPANSION JOINT SYSTEMS

DATE: 02-10-17

SCALE: 1:2

DOC: CADJM.056/Rev1

APPLICATION-RECESSED
FLOOR/FLOOR CONDITIONS

PROJECT:

CUSTOMER:

LOCATION:

inpro.