

104-A02-025 SYSTEM

SPECIFY SEAL COLOR	
Black	(J1D101)
Beige	(J1D102)
Gray	(J1D103)
Off White	(J1D104)
Bright White	(J1D105)

Aluminum Finish-Mill

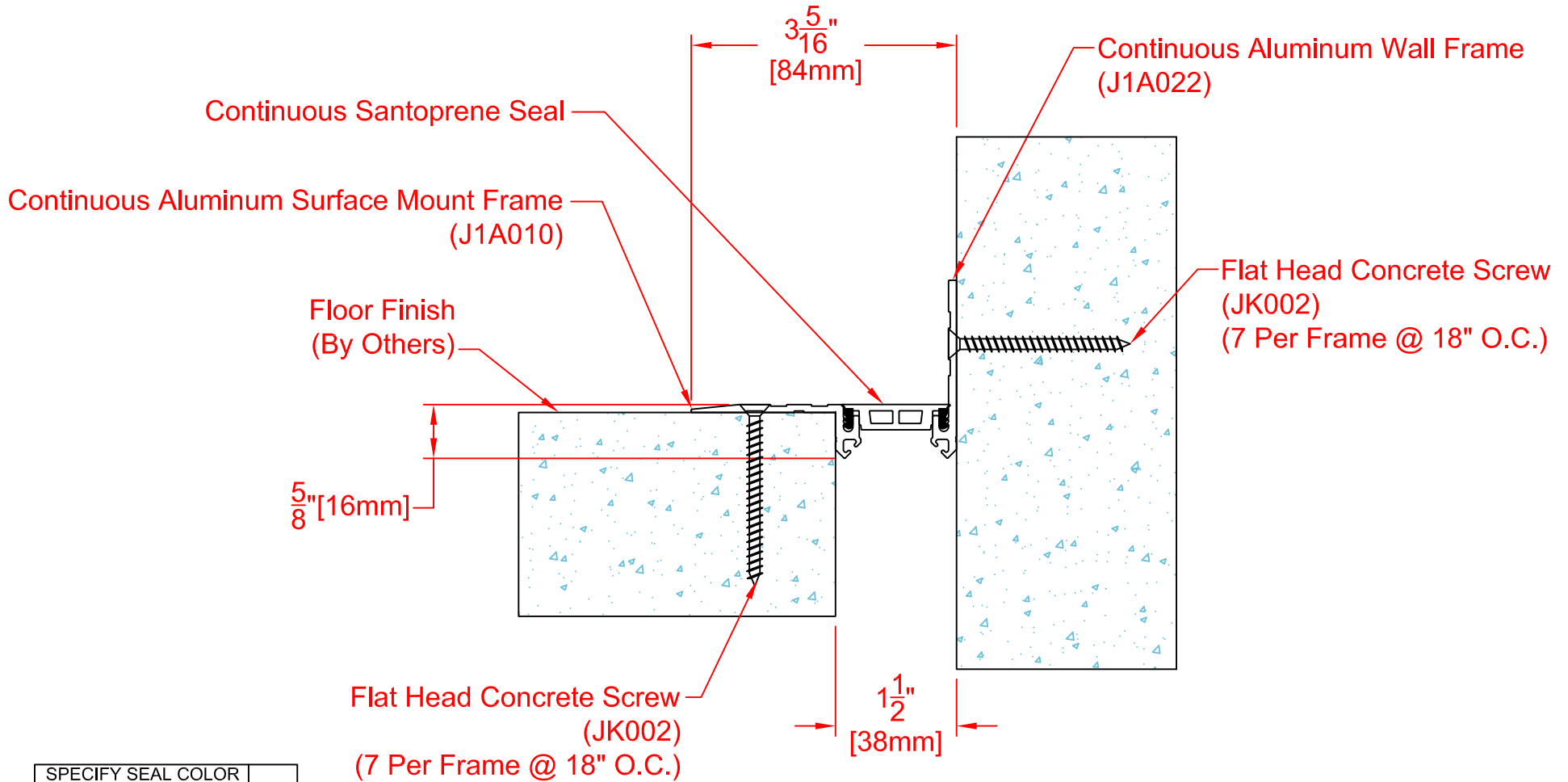
Joint Width		Movement ±			
		Horizontal		Vertical	
US	mm	US	mm	US	mm
1"	25	1/4"	6	1/4"	6

JOINTMASTER™
EXPANSION JOINT SYSTEMS

DATE: 1-30-02
SCALE: 1:2
DOC: CADJM.064/Rev1

APPLICATION-
SURFACE MOUNT FLOOR/WALL CONDITION

inpro.



104-A02-038 SYSTEM

SPECIFY SEAL COLOR	
Black	(J1D151)
Beige	(J1D152)
Gray	(J1D153)
Off White	(J1D154)
Bright White	(J1D155)

Aluminum Finish-Mill

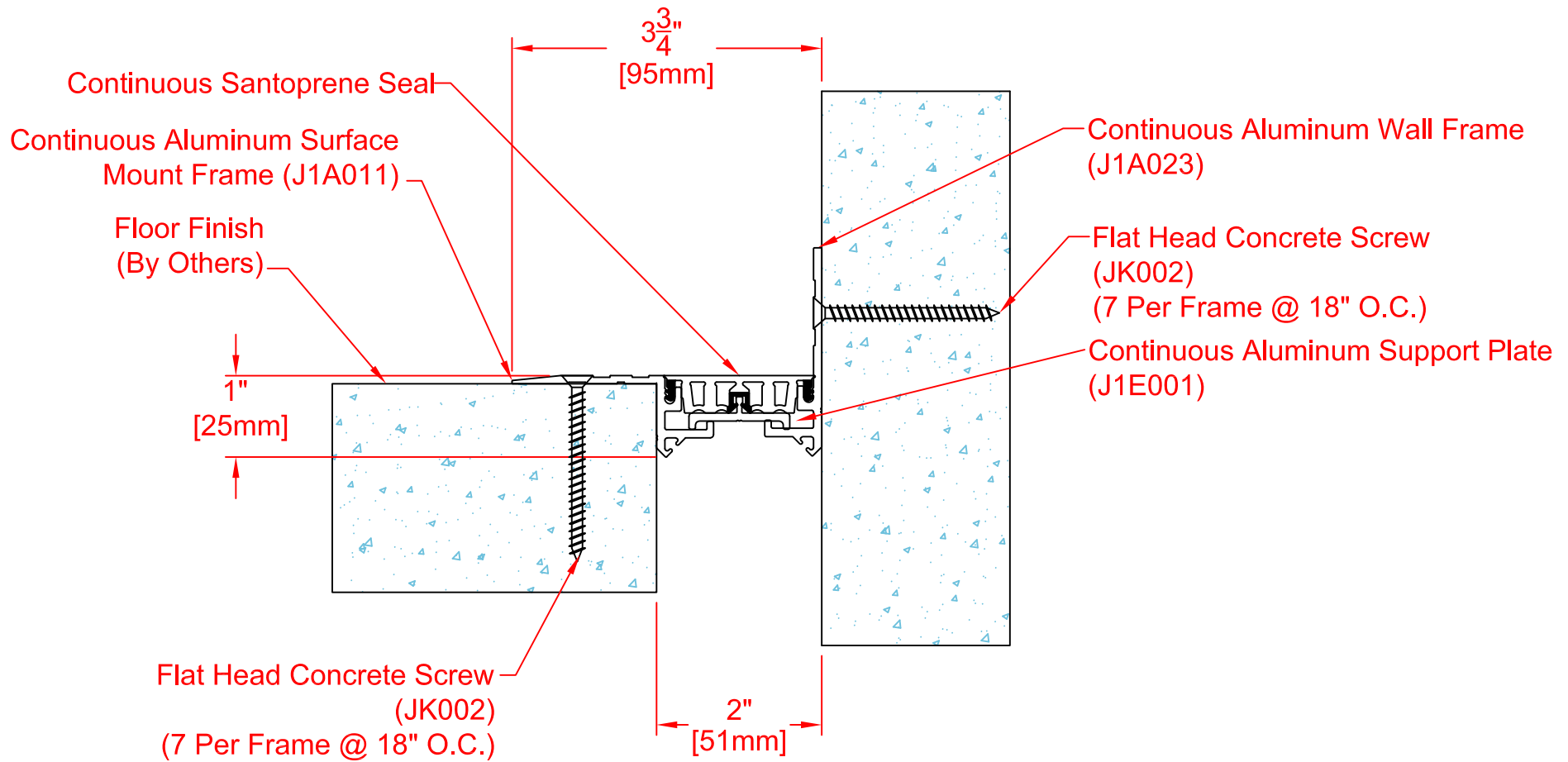
Joint Width		Movement ±			
		Horizontal		Vertical	
US	mm	US	mm	US	mm
1-1/2"	38	3/8"	10	3/8"	10

JOINTMASTER™
EXPANSION JOINT SYSTEMS

DATE: 1-30-02
SCALE: 1:2
DOC: CADJM.064/Rev1

APPLICATION-
SURFACE MOUNT FLOOR/WALL CONDITION

inpro.



104-A02-050 SYSTEM

Joint Width		Movement ±			
		Horizontal		Vertical	
US	mm	US	mm	US	mm
2"	51	1/2"	13	1/2"	13

SPECIFY SEAL COLOR	
Black	(J1D201)
Beige	(J1D202)
Gray	(J1D203)
Off White	(J1D204)
Bright White	(J1D205)

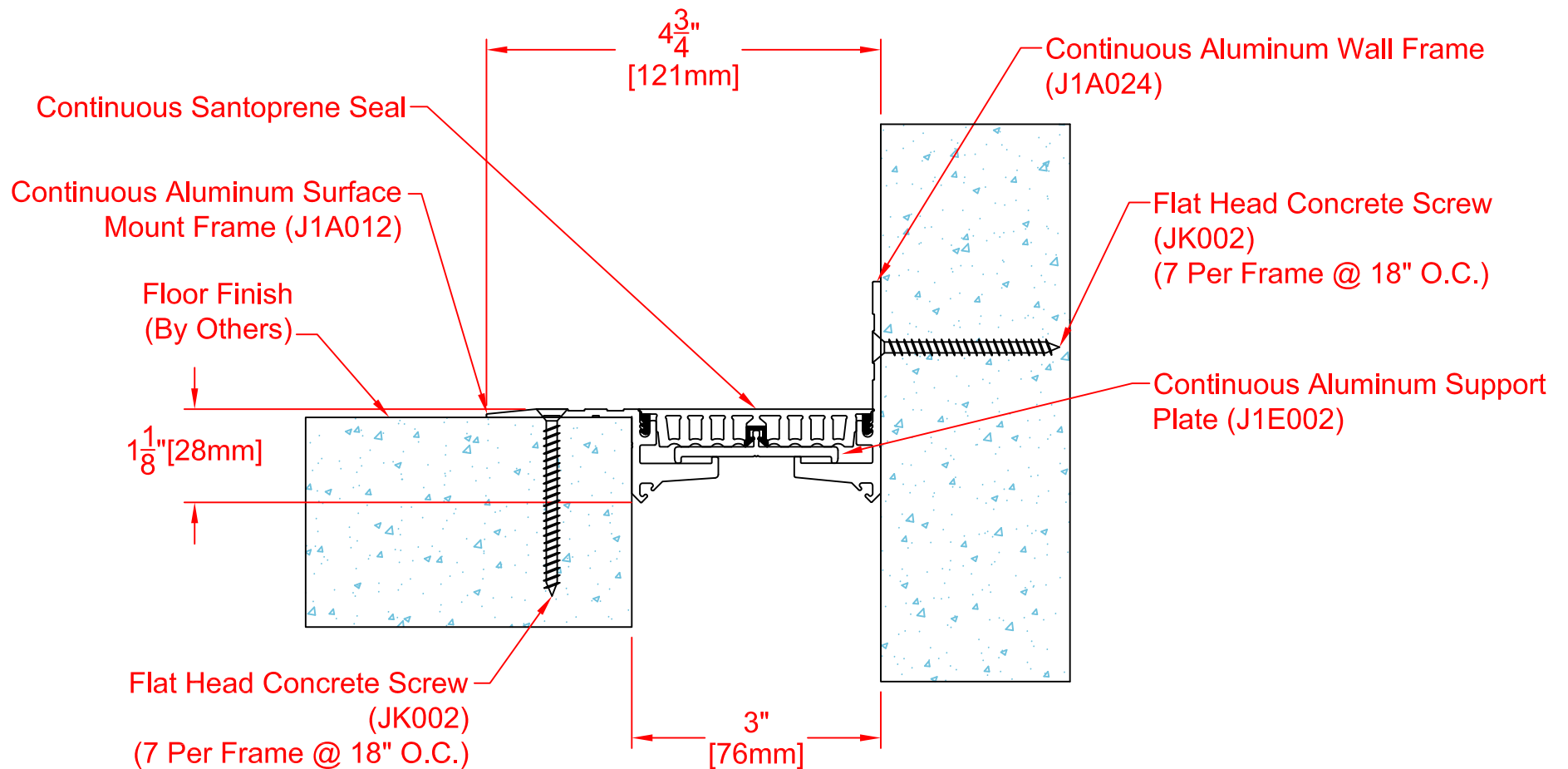
Aluminum Finish-Mill

JOINTMASTER™
EXPANSION JOINT SYSTEMS

DATE: 1-30-02
SCALE: 1:2
DOC: CADJM.064/Rev1

APPLICATION-
SURFACE MOUNT FLOOR/WALL CONDITION

inpro.



SPECIFY SEAL COLOR	
Black	(J1D301)
Beige	(J1D302)
Gray	(J1D303)
Off White	(J1D304)
Bright White	(J1D305)

Aluminum Finish-Mill

104-A02-075 SYSTEM

Joint Width		Movement ±			
		Horizontal		Vertical	
US	mm	US	mm	US	mm
3"	76	3/4"	19	3/4"	19

JOINTMASTER[®]
EXPANSION JOINT SYSTEMS

DATE: 1-30-02
SCALE: 1:2
DOC: CADJM.064/Rev1

APPLICATION-
SURFACE MOUNT FLOOR/WALL CONDITION

inpro[®]