

SPECIFY SEAL COLOR	
Black	(J1D101)
Beige	(J1D102)
Gray	(J1D103)
Off White	(J1D104)
Bright White	(J1D105)

Aluminum Finish-Mill

109-A01-02538 SYSTEM

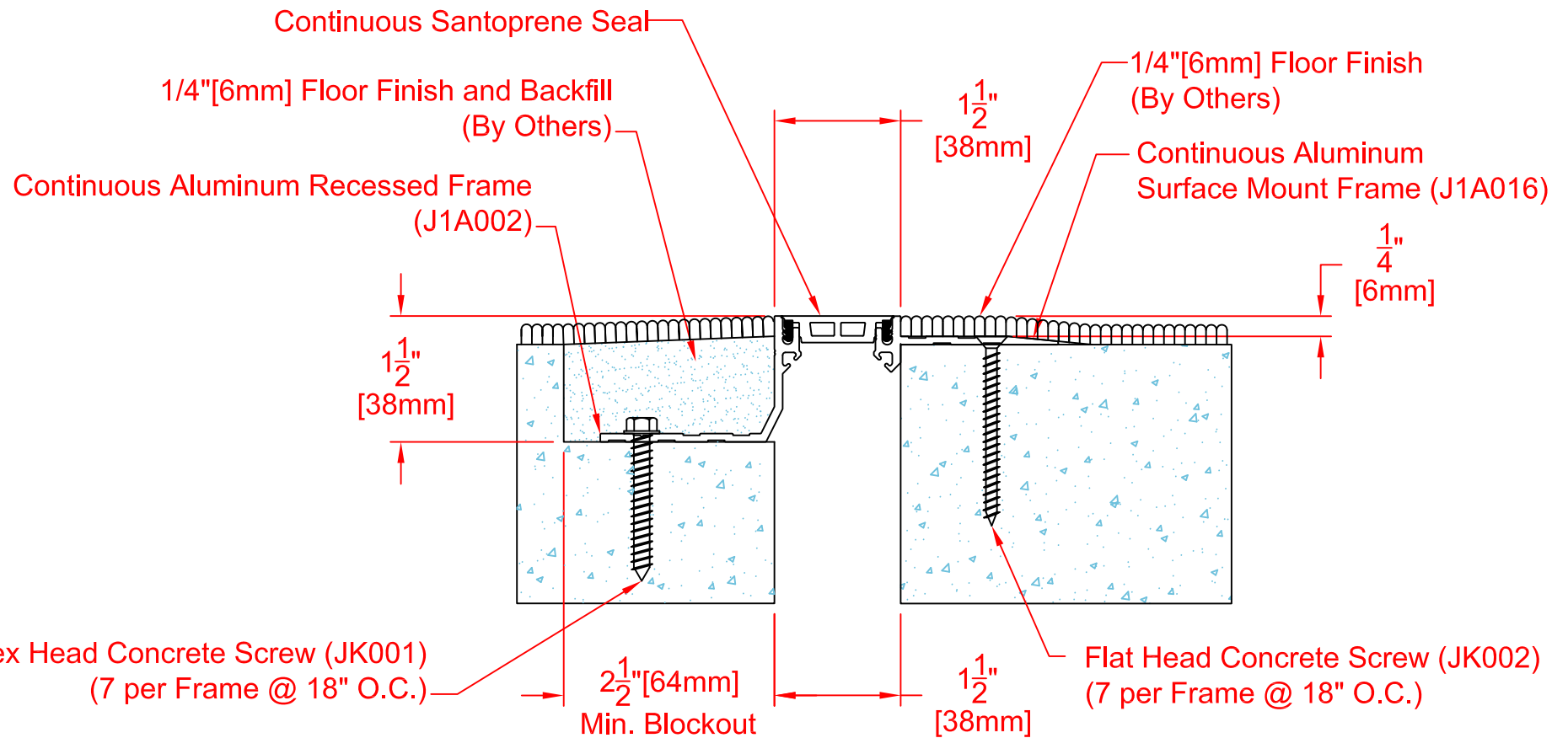
Joint Width		Movement ±			
		Horizontal		Vertical	
US	mm	US	mm	US	mm
1"	25	1/4"	6	1/4"	6

JOINTMASTER[®]
EXPANSION JOINT SYSTEMS

DATE: 1-20-02
SCALE: 1:2
DOC: CADJM.073/Rev1

APPLICATION-
NEW TO OLD FLOOR/FLOOR CONDITION
FOR 1/4" CARPET FLOORING

inpro[®]



Hex Head Concrete Screw (JK001)
(7 per Frame @ 18" O.C.)

2 1/2" [64mm]
Min. Blockout

1 1/2" [38mm]

Flat Head Concrete Screw (JK002)
(7 per Frame @ 18" O.C.)

SPECIFY SEAL COLOR	
Black	(J1D151)
Beige	(J1D152)
Gray	(J1D153)
Off White	(J1D154)
Bright White	(J1D155)

Aluminum Finish-Mill

109-A01-03838 SYSTEM

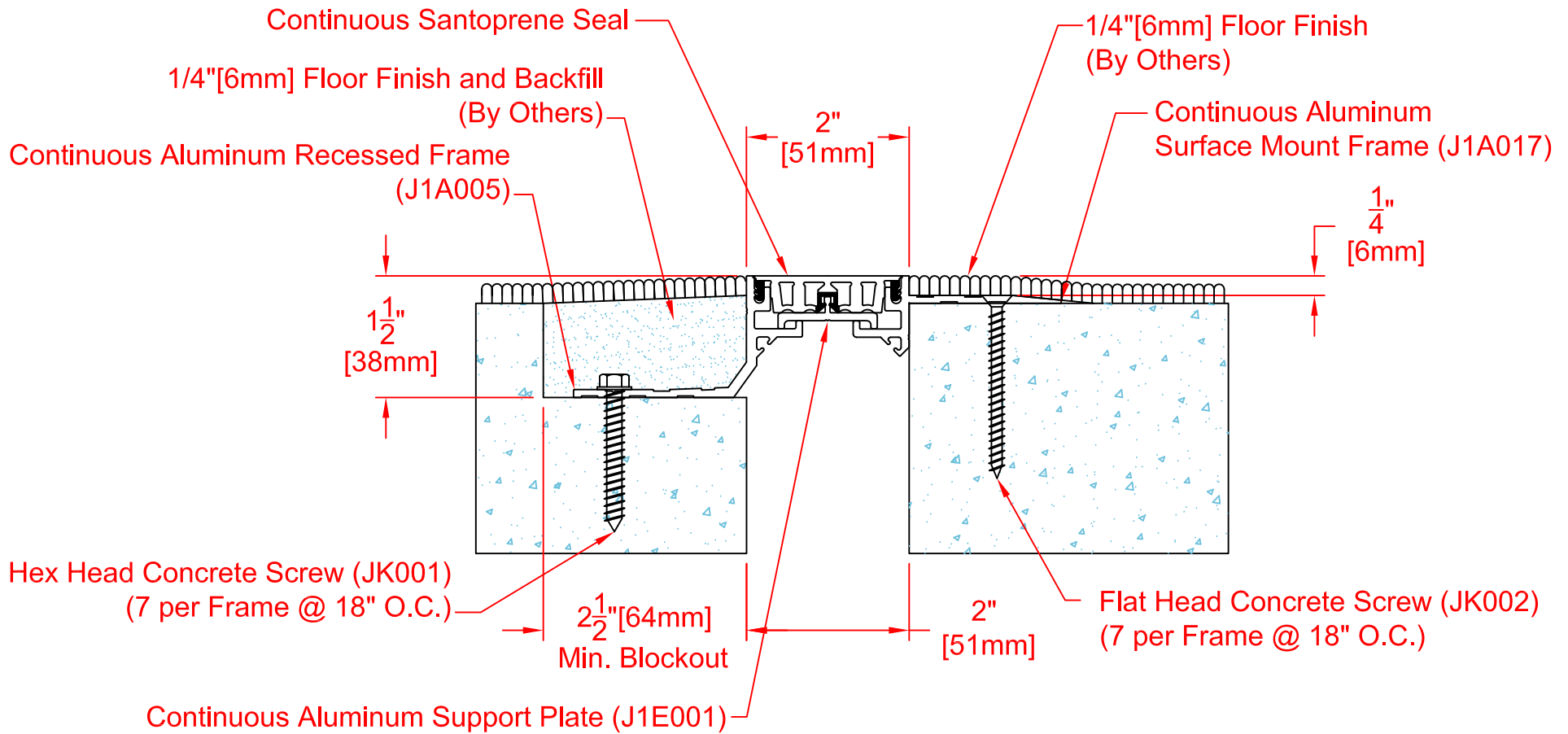
Joint Width		Movement ±			
		Horizontal		Vertical	
US	mm	US	mm	US	mm
1-1/2"	38	3/8"	10	3/8"	10

JOINTMASTER[®]
EXPANSION JOINT SYSTEMS

DATE: 1-20-02
SCALE: 1:2
DOC: CADJM.073/Rev1

APPLICATION-
NEW TO OLD FLOOR/FLOOR CONDITION
FOR 1/4" CARPET FLOORING

inpro[®]



109-A01-05038 SYSTEM

Joint Width		Movement ±			
		Horizontal		Vertical	
US	mm	US	mm	US	mm
2"	51	1/2"	13	1/2"	13

SPECIFY SEAL COLOR	
Black	(J1D201)
Beige	(J1D202)
Gray	(J1D203)
Off White	(J1D204)
Bright White	(J1D205)

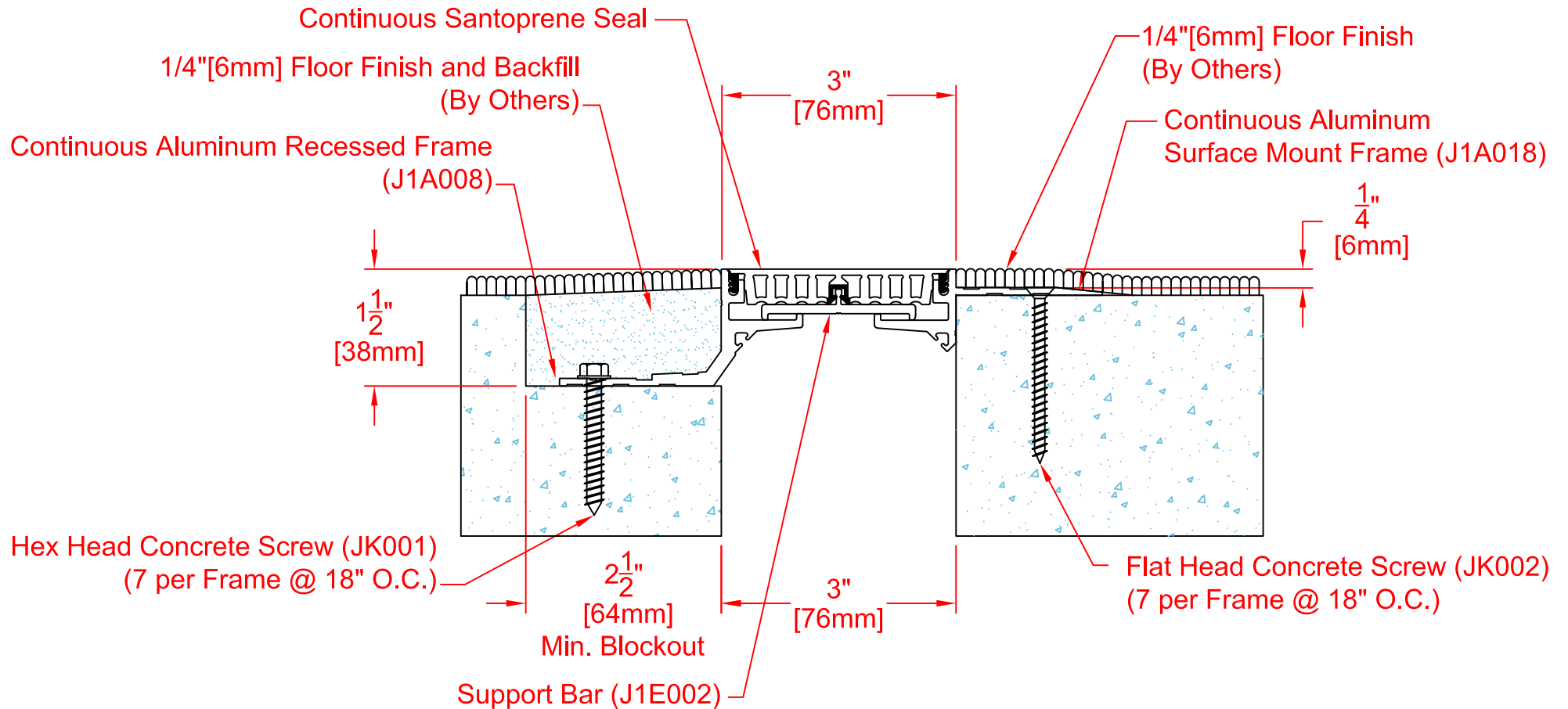
Aluminum Finish-Mill

JOINTMASTER™
EXPANSION JOINT SYSTEMS

DATE: 1-20-02
SCALE: 1:2
DOC: CADJM.073/Rev1

APPLICATION-
NEW TO OLD FLOOR/FLOOR CONDITION
FOR 1/4" CARPET FLOORING

inpro.



109-A01-07538 SYSTEM

Joint Width		Movement ±			
		Horizontal		Vertical	
US	mm	US	mm	US	mm
3"	76	3/4"	19	3/4"	19

SPECIFY SEAL COLOR	
Black	(J1D301)
Beige	(J1D302)
Gray	(J1D303)
Off White	(J1D304)
Bright White	(J1D305)

Aluminum Finish-Mill

JOINTMASTER[®]
EXPANSION JOINT SYSTEMS

DATE: 1-20-02
SCALE: 1:2
DOC: CADJM.073/Rev1

APPLICATION-
NEW TO OLD FLOOR/FLOOR CONDITION
FOR 1/4" CARPET FLOORING

inpro[®]