

SPECIFY SEAL COLOR	
Black	(J1D101)
Beige	(J1D102)
Gray	(J1D103)
Off White	(J1D104)
Bright White	(J1D105)

Aluminum Finish-204-R1 Clear Anodized

## 112-A07-025 SYSTEM

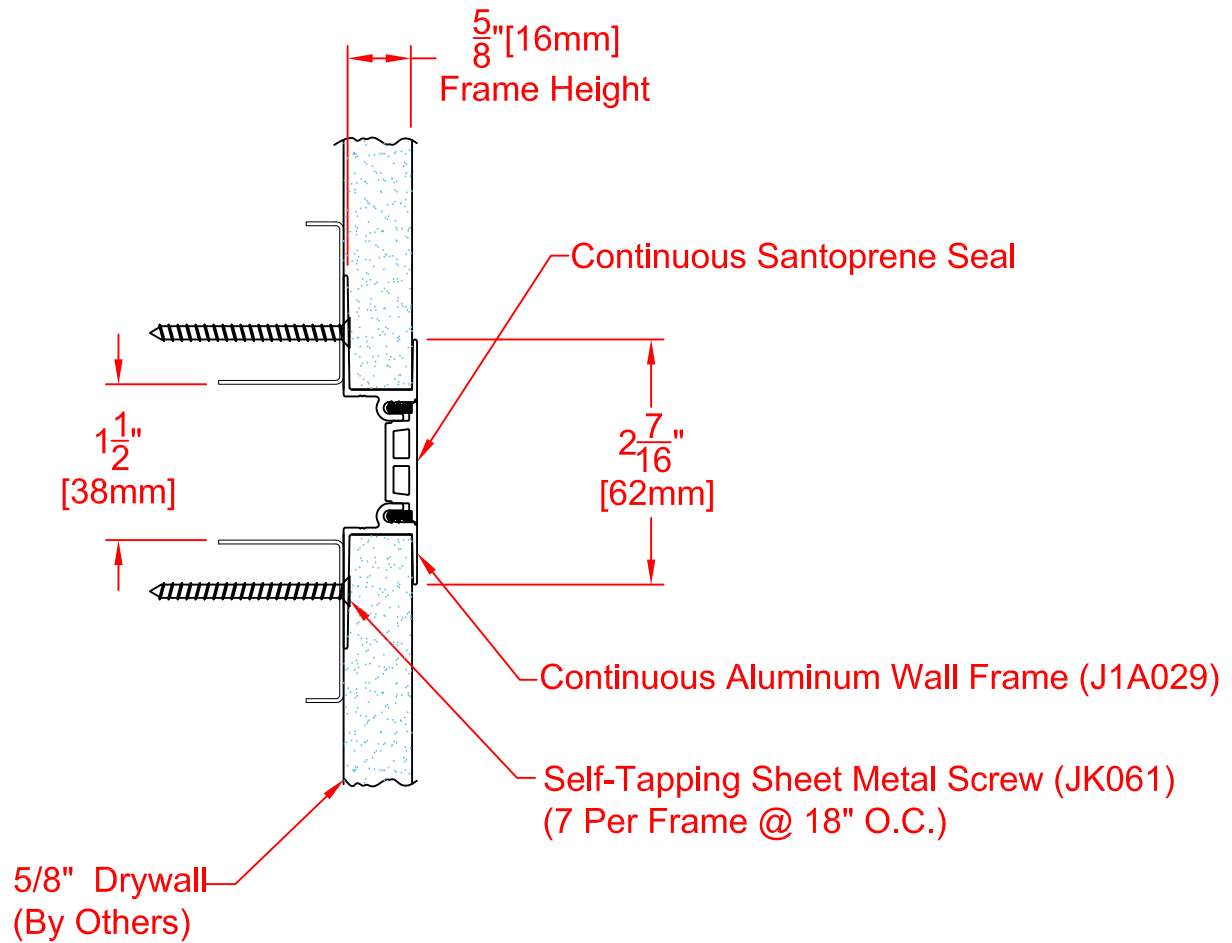
Joint Width	Movement ±				
	Horizontal		Vertical		
US	mm	US	mm	US	mm
1"	25	1/4"	6	1/4"	6

**JOINTMASTER™**  
EXPANSION JOINT SYSTEMS

DATE: 1-20-02  
SCALE: 1:2  
DOC: CADJM.075/Rev1

APPLICATION-  
FLUSH MOUNT WALL/WALL-CEILING/CEILING CONDITION  
FOR 5/8" DRYWALL

**inpro.**



SPECIFY SEAL COLOR	
Black	(J1D151)
Beige	(J1D152)
Gray	(J1D153)
Off White	(J1D154)
Bright White	(J1D155)

Aluminum Finish-204-R1 Clear Anodized

## 112-A07-038 SYSTEM

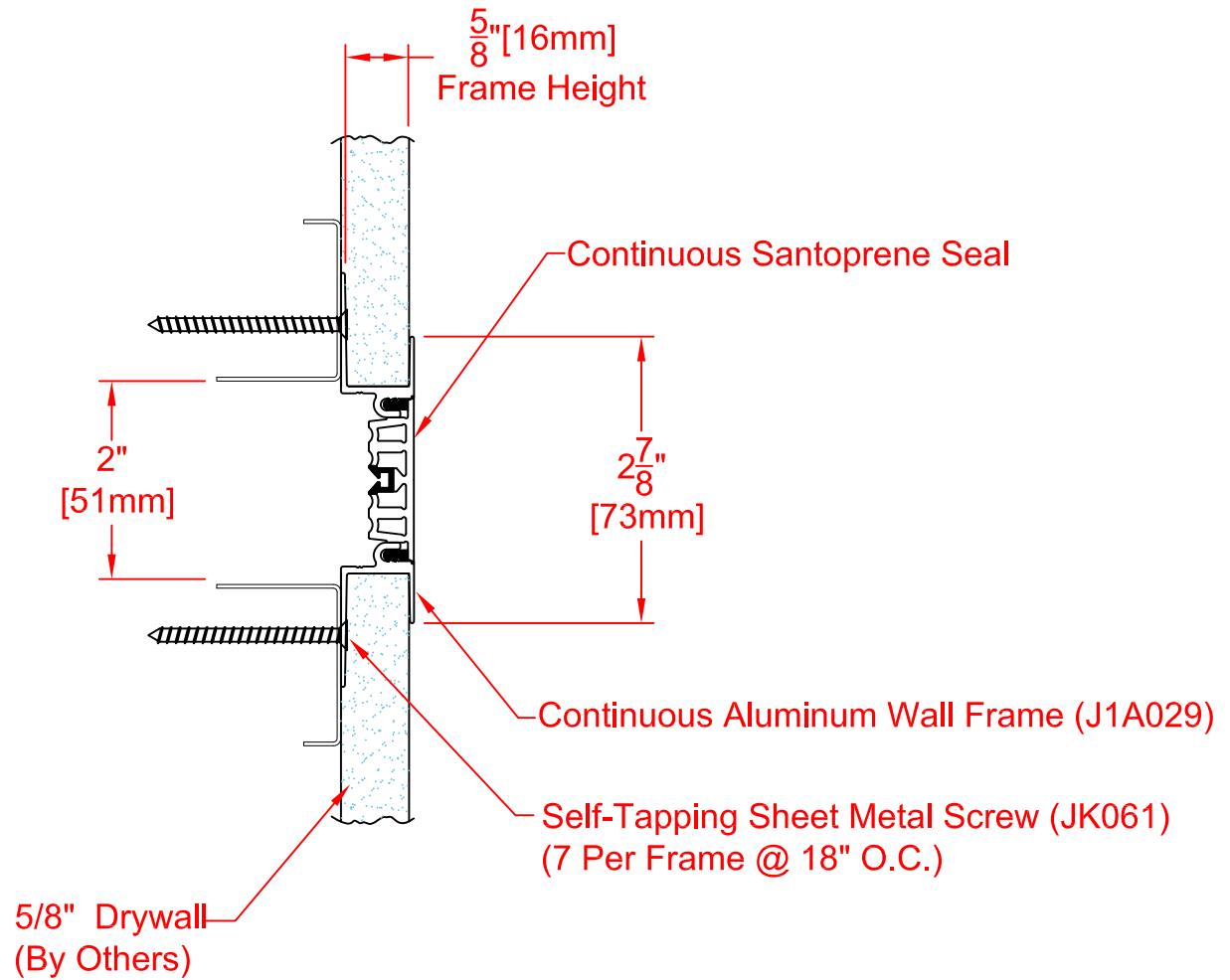
Joint Width		Movement ±			
		Horizontal		Vertical	
US	mm	US	mm	US	mm
1-1/2"	38	3/8"	10	3/8"	10

**JOINTMASTER™**  
EXPANSION JOINT SYSTEMS

DATE: 1-20-02  
SCALE: 1:2  
DOC: CADJM.075/Rev1

APPLICATION-  
FLUSH MOUNT WALL/WALL-CEILING/CEILING CONDITION  
FOR 5/8" DRYWALL

**inpro.**



## 112-A07-050 SYSTEM

Joint Width		Movement ±			
		Horizontal		Vertical	
US	mm	US	mm	US	mm
2"	51	1/2"	13	1/2"	13

SPECIFY SEAL COLOR	
Black (J1D201)	
Beige (J1D202)	
Gray (J1D203)	
Off White (J1D204)	
Bright White (J1D205)	

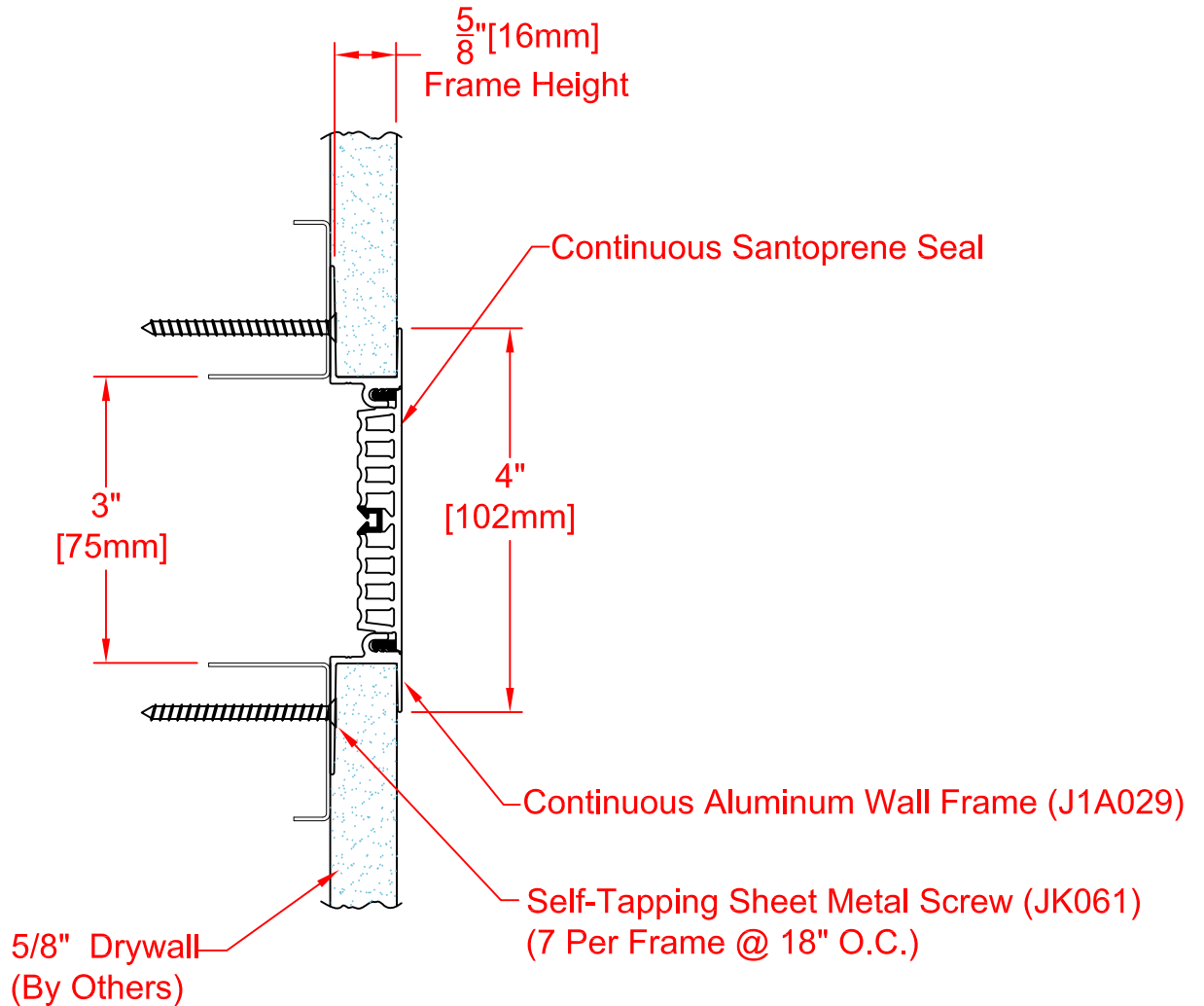
Aluminum Finish-204-R1 Clear Anodized

**JOINTMASTER™**  
EXPANSION JOINT SYSTEMS

DATE: 1-20-02  
SCALE: 1:2  
DOC: CADJM.075/Rev1

APPLICATION-  
FLUSH MOUNT WALL/WALL-CEILING/CEILING CONDITION  
FOR 5/8" DRYWALL

**inpro.**



## 112-A07-075 SYSTEM

Joint Width		Movement ±			
		Horizontal		Vertical	
US	mm	US	mm	US	mm
3"	76	3/4"	19	3/4"	19

SPECIFY SEAL COLOR	
Black	(J1D301)
Beige	(J1D302)
Gray	(J1D303)
Off White	(J1D304)
Bright White	(J1D305)

Aluminum Finish-204-R1 Clear Anodized

**JOINTMASTER™**  
EXPANSION JOINT SYSTEMS

DATE: 1-20-02  
SCALE: 1:2  
DOC: CADJM.075/Rev1

APPLICATION-  
FLUSH MOUNT WALL/WALL-CEILING/CEILING CONDITION  
FOR 5/8" DRYWALL

**inpro.**