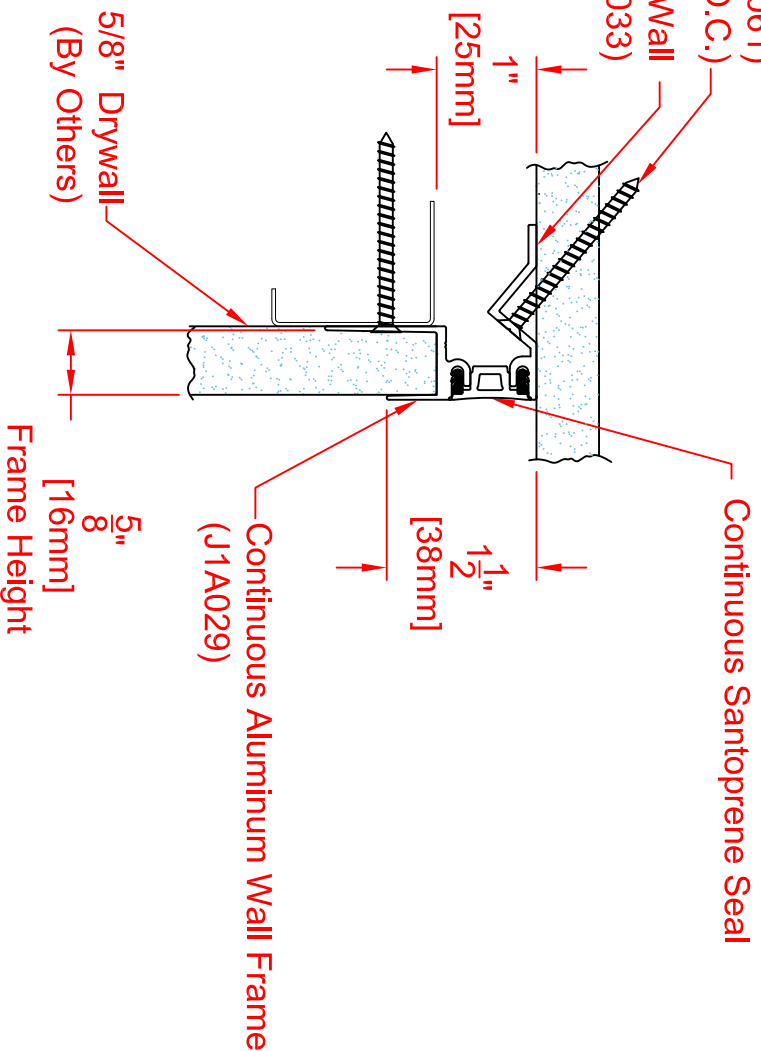


Self-Tapping Sheet Metal Screw (JK061)
 (7 Per Frame @ 18" O.C.)

Continuous Aluminum Flush Wall
 Frame (J1A033)



SPECIFY SEAL COLOR	
Black	(J1D101)
Beige	(J1D102)
Gray	(J1D103)
Off White	(J1D104)
Bright White	(J1D105)

Aluminum Finish-204-R1 Clear Anodized

112-A09-025 SYSTEM

Joint Width	Movement ±	
	Horizontal	Vertical
US mm	US mm	US mm
1" 25	1/4" 6	1/4" 6

JOINTMASTER™
 EXPANSION JOINT SYSTEMS

DATE: 1-20-02

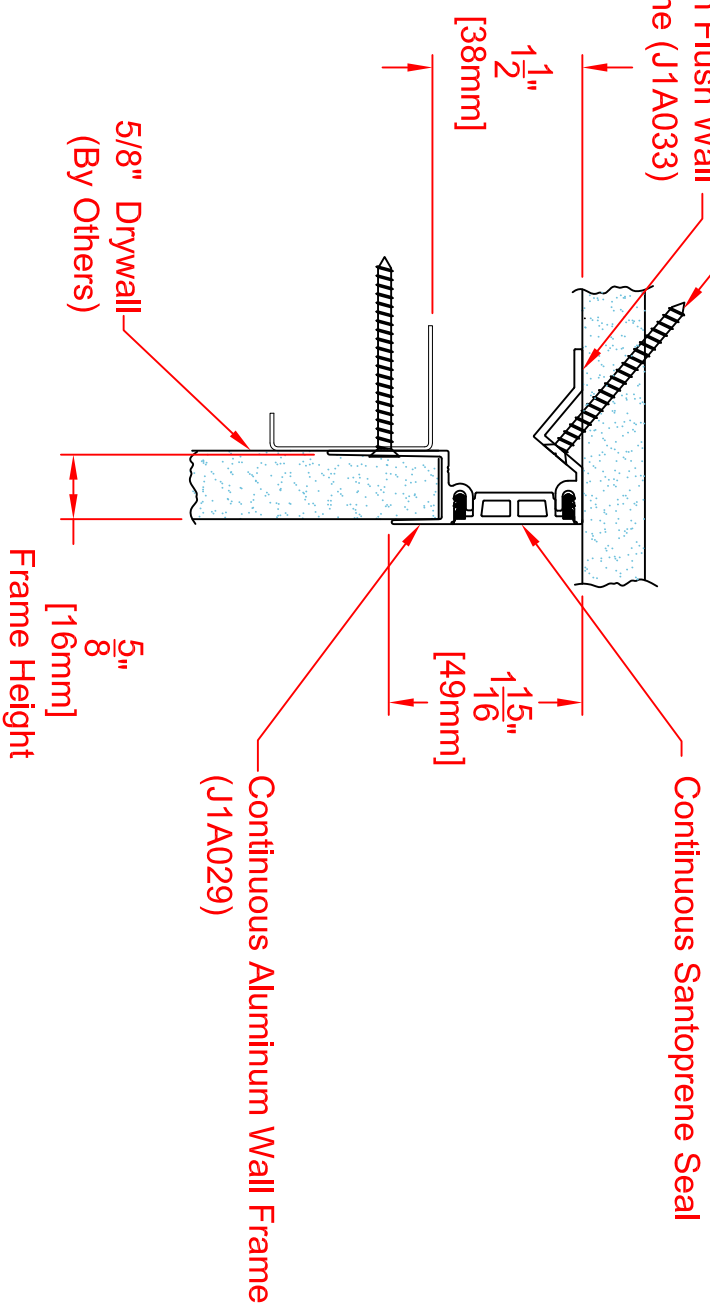
SCALE: 1:2

DOC:CADJM,076/Rev1

APPLICATION-
 FLUSH MOUNT WALL/CORNER-WALL/CEILING CONDITION
 FOR 5/8" DRYWALL

inpro.

Self-Tapping Sheet Metal Screw (JK061)
 (7 Per Frame @ 18" O.C.)
 Continuous Aluminum Flush Wall
 Frame (J1A033)



SPECIFY SEAL COLOR	
Black (J1D151)	
Beige (J1D152)	
Gray (J1D153)	
Off White (J1D154)	
Bright White (J1D155)	

Aluminum Finish-204-R1 Clear Anodized

112-A09-038 SYSTEM		Movement ±	
Joint Width	Horizontal	Vertical	
US mm	US mm	US mm	mm
1-1/2" 38	3/8" 10	3/8" 10	

JOINTMASTER™
 EXPANSION JOINT SYSTEMS

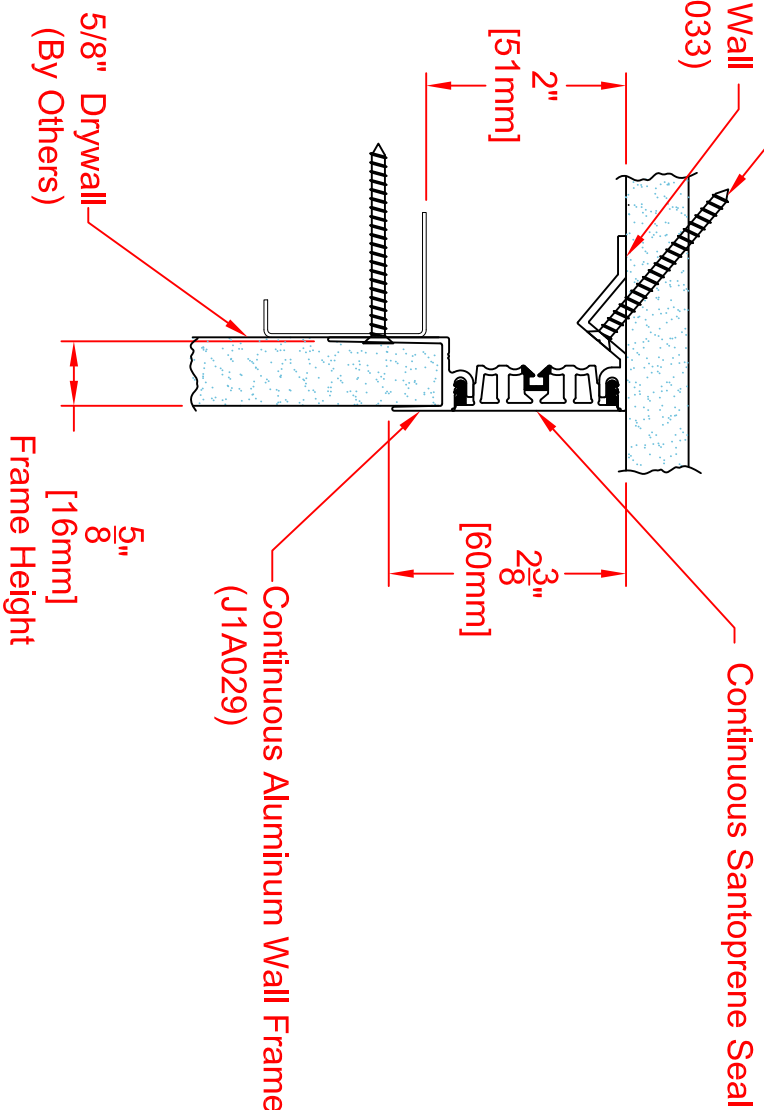
DATE: 1-20-02
 SCALE: 1:2
 DOC:CADJM.076/Rev1

APPLICATION-
 FLUSH MOUNT WALL/CORNER-WALL/CEILING CONDITION
 FOR 5/8" DRYWALL



Self-Tapping Sheet Metal Screw (JK061)
(7 Per Frame @ 18" O.C.)

Continuous Aluminum Flush Wall
Frame (J1A033)



Continuous Aluminum Wall Frame
(J1A029)

5"
[16mm]
Frame Height

2 3/8"
[60mm]

2"
[51mm]

5/8" Drywall
(By Others)

SPECIFY SEAL COLOR	
Black (J1D201)	
Beige (J1D202)	
Gray (J1D203)	
Off White (J1D204)	
Bright White (J1D205)	

Aluminum Finish-204-R1 Clear Anodized

112-A09-050 SYSTEM

Joint Width	Movement ±	
	Horizontal	Vertical
US 2"	US 1/2"	US 1 1/2"
mm 51	mm 13	mm 13

DATE: 1-20-02

SCALE: 1:2

DOC:CADJM,076/Rev1

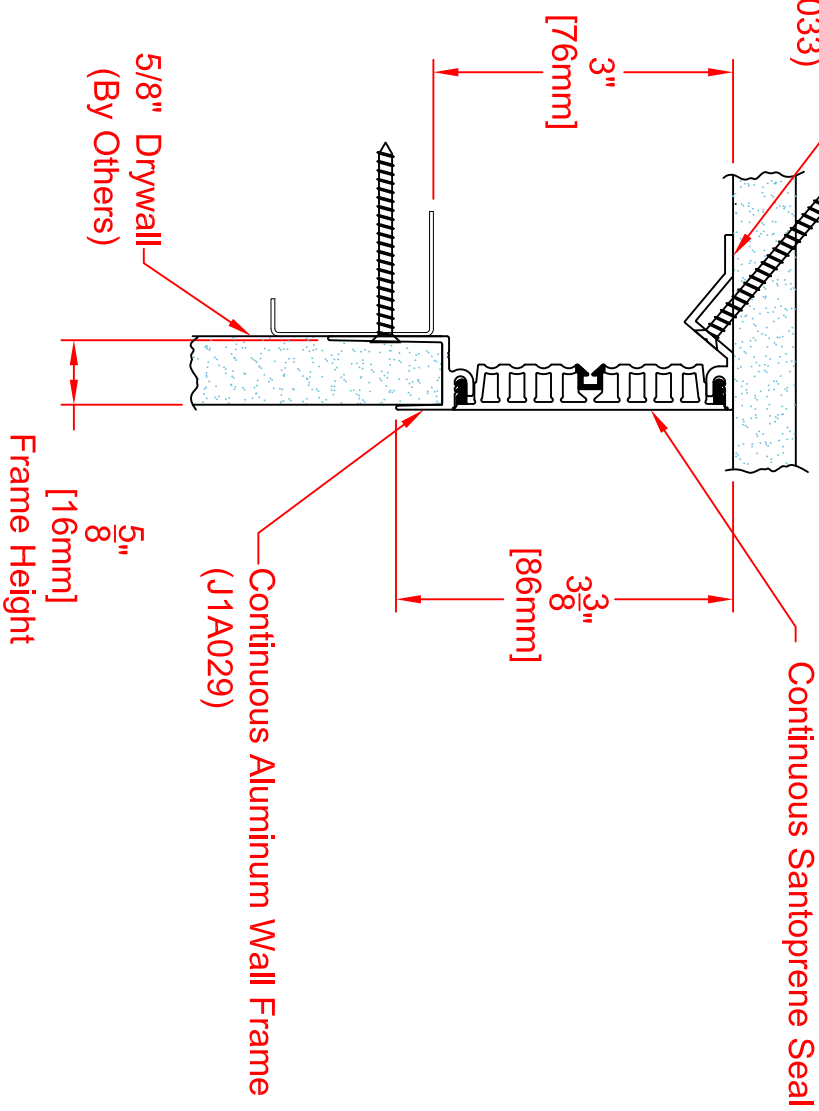
JOINTMASTER™
EXPANSION JOINT SYSTEMS

APPLICATION-
FLUSH MOUNT WALL/CORNER-WALL/CEILING CONDITION
FOR 5/8" DRYWALL

inpro®

Self-Tapping Sheet Metal Screw (JK061)
(7 Per Frame @ 18" O.C.)

Continuous Aluminum Flush Wall
Frame (J1A033)



SPECIFY SEAL COLOR	
Black (J1D301)	
Beige (J1D302)	
Gray (J1D303)	
Off White (J1D304)	
Bright White (J1D305)	

Aluminum Finish-204-R1 Clear Anodized

112-A09-075 SYSTEM

Joint Width	Movement ±	
	Horizontal	Vertical
US 3"	US 3/4"	US 19
mm 76	mm 19	mm 3/4"
		mm 19

JOINTMASTER™
EXPANSION JOINT SYSTEMS

DATE: 1-20-02

SCALE: 1:2

DOC:CADJM,076/Rev1

APPLICATION-
FLUSH MOUNT WALL/CORNER-WALL/CEILING CONDITION
FOR 5/8" DRYWALL

inpro®