

SPECIFY SEAL COLOR	
Black (J1D101)	
Beige (J1D102)	
Gray (J1D103)	
Off White (J1D104)	
Bright White (J1D105)	

113-A07-025 SYSTEM

Joint Width		Movement ±			
		Horizontal		Vertical	
US	mm	US	mm	US	mm
1"	25	1/4"	6	1/4"	6

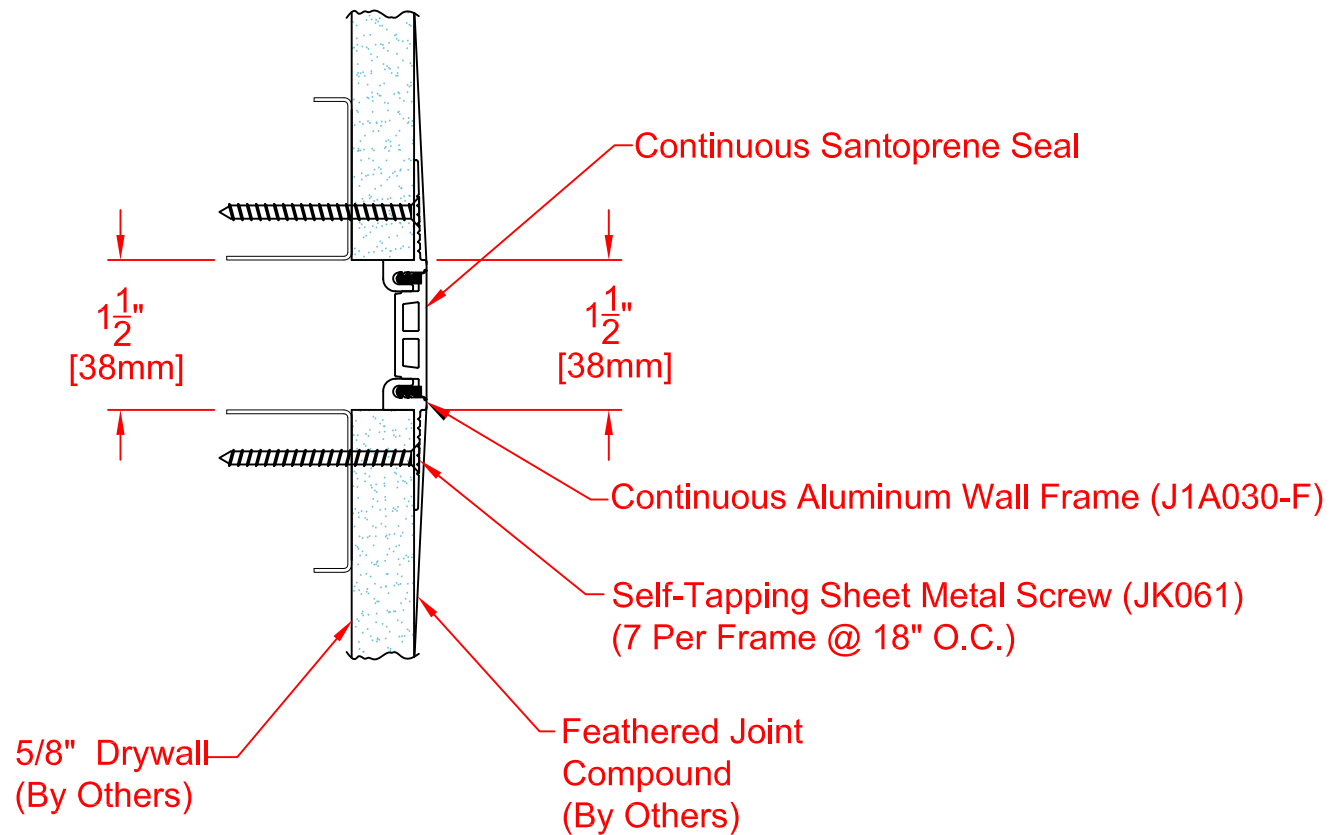
Aluminum Finish-Mill

JOINTMASTER[™]
EXPANSION JOINT SYSTEMS

DATE: 1-20-02
SCALE: 1:2
DOC: CADJM.077/Rev1

APPLICATION-
SURFACE MOUNT WALL/WALL-CEILING /CEILING CONDITION
FOR DRYWALL

inpro[®]



SPECIFY SEAL COLOR	
Black (J1D151)	
Beige (J1D152)	
Gray (J1D153)	
Off White (J1D154)	
Bright White (J1D155)	

113-A07-038 SYSTEM

Joint Width		Movement ±			
		Horizontal		Vertical	
US	mm	US	mm	US	mm
1-1/2"	38	3/8"	10	3/8"	10

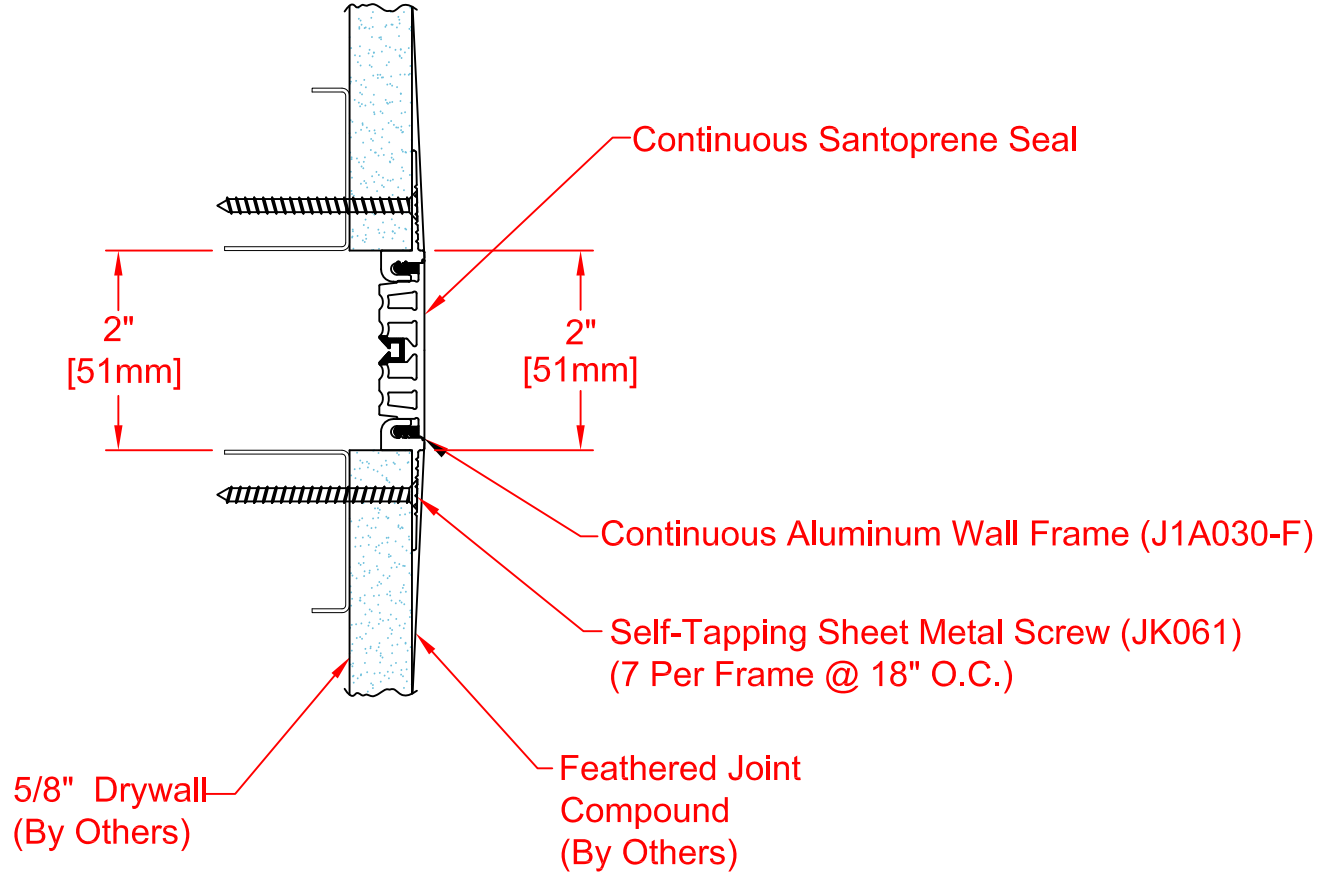
Aluminum Finish-Mill

JOINTMASTER™
EXPANSION JOINT SYSTEMS

DATE: 1-20-02
SCALE: 1:2
DOC: CADJM.077/Rev1

APPLICATION-
SURFACE MOUNT WALL/WALL-CEILING /CEILING CONDITION
FOR DRYWALL

inpro.



SPECIFY SEAL COLOR	
Black	(J1D201)
Beige	(J1D202)
Gray	(J1D203)
Off White	(J1D204)
Bright White	(J1D205)

Aluminum Finish-Mill

113-A07-050 SYSTEM

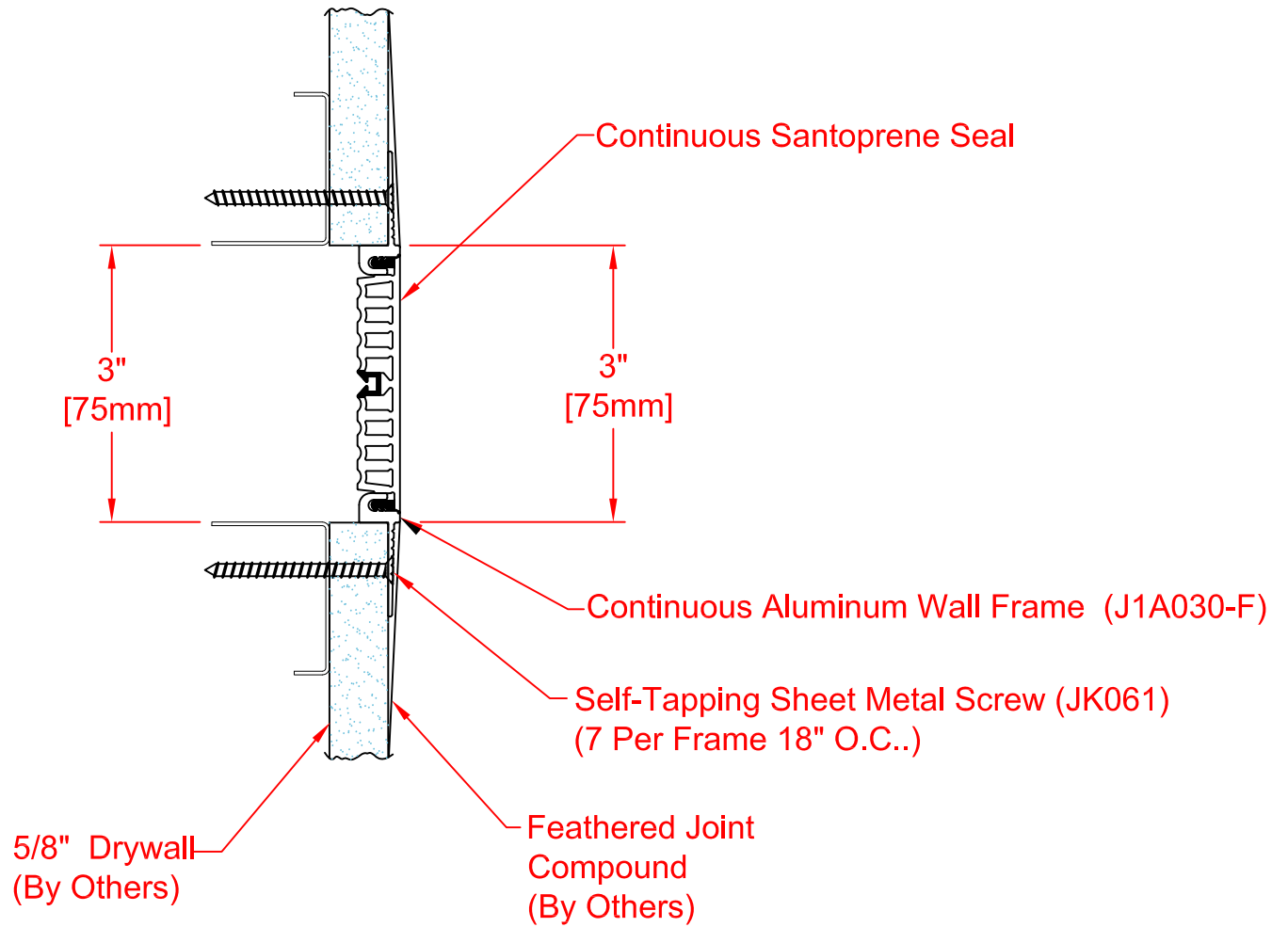
Joint Width		Movement ±			
		Horizontal		Vertical	
US	mm	US	mm	US	mm
2"	51	1/2"	13	1/2"	13

JOINTMASTER™
EXPANSION JOINT SYSTEMS

DATE: 1-20-02
SCALE: 1:2
DOC: CADJM.077/Rev1

APPLICATION-
SURFACE MOUNT WALL/WALL-CEILING /CEILING CONDITION
FOR DRYWALL





SPECIFY SEAL COLOR	
Black (J1D301)	
Beige (J1D302)	
Gray (J1D303)	
Off White (J1D304)	
Bright White (J1D305)	

113-A07-075 SYSTEM

Joint Width		Movement ±			
		Horizontal		Vertical	
US	mm	US	mm	US	mm
3"	76	3/4"	19	3/4"	19

Aluminum Finish-Mill

JOINTMASTER™
EXPANSION JOINT SYSTEMS

DATE: 1-20-02
SCALE: 1:2
DOC: CADJM.077/Rev1

APPLICATION-
SURFACE MOUNT WALL/WALL-CEILING /CEILING CONDITION
FOR DRYWALL

inpro.