

Installation Instructions

140D or G2-140D Flush Mount End Wall Protector

Please read all instructions before installing corner guard.

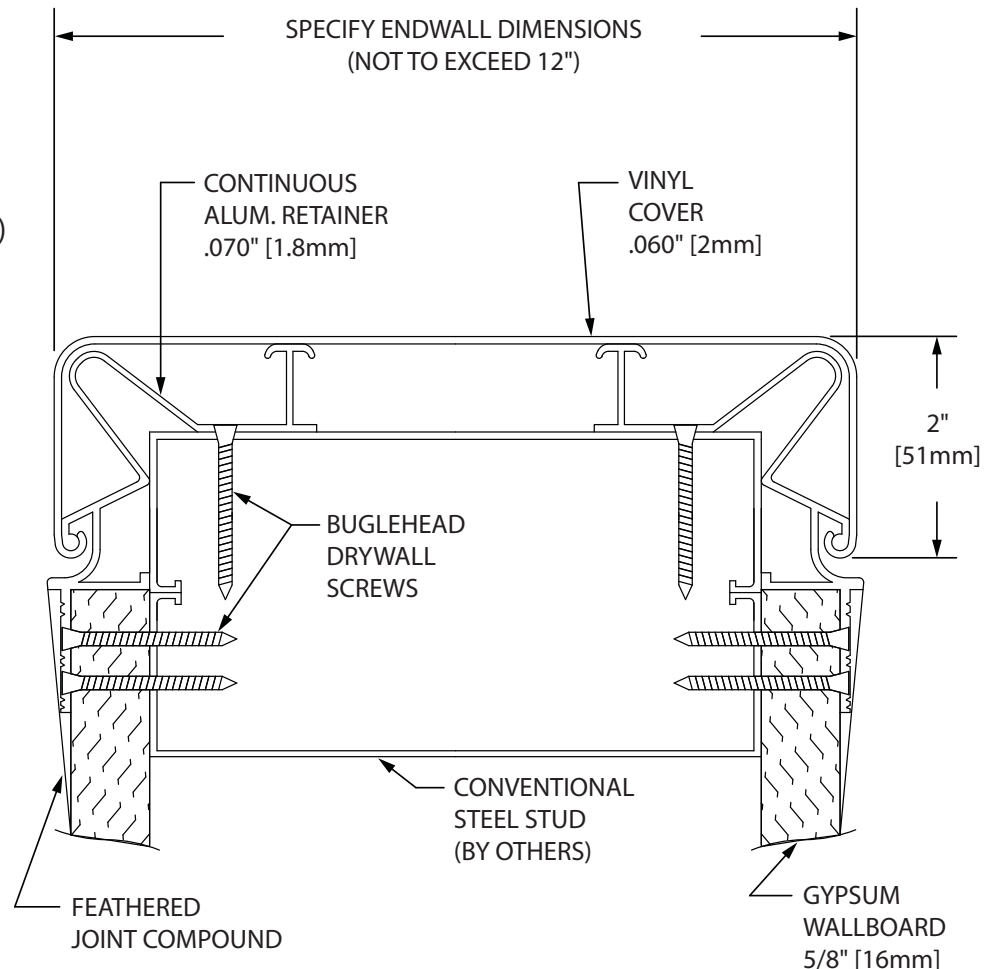
Important

1. Acclimate materials 24 hrs before installation. Maintain temperature controlled environment after installation
2. Install in accordance with manufacturer's installation instructions. Failure to do so will void the warranty.

Installation tips

1. Cut covers up to 1/16" (1.6mm) longer to ensure a tight fit.

Section View



Recommended tools

Safety Glasses, Tape Measure, Level, Power Drill, 1/4" Socket, Drill Bits - 1/4" masonry (concrete/concrete block), Power Miter Saw, 10" Blade with 60-80 Carbide Tipped Teeth

IPC.413/REV.5

Installation Hotline • 866.EZINPRO
Inprocorp.com • 800.222.5556 • 262.679.9010
World Headquarters S80 W18766 Apollo Drive, Muskego, WI 53150 USA

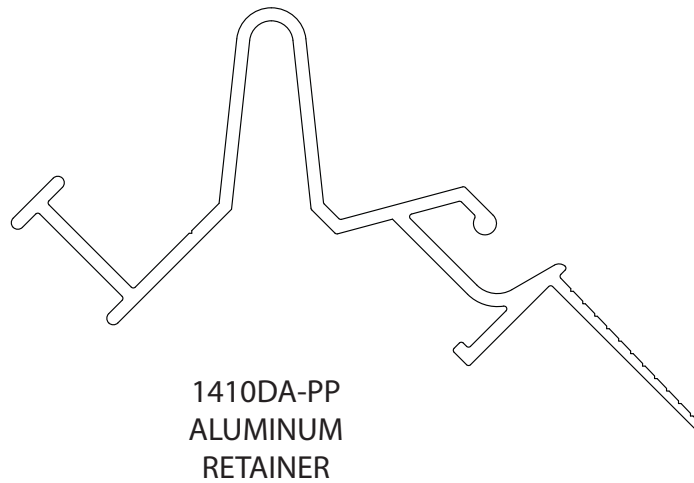
IPC •
DOOR + WALL PROTECTION SYSTEMS
A DIVISION OF INPRO®

Installation Instructions

140D or G2-140D Flush Mount End Wall Protector

Please read all instructions before installing corner guard.

Components and Fasteners



Condition	Specified Fasteners	Inpro Part #
Drywall/Wood	1 1/4" Bugle Head Screw	HWK-1400EWD

Installation Hotline • 866.EZINPRO
Inprocorp.com • 800.222.5556 • 262.679.9010
World Headquarters S80 W18766 Apollo Drive, Muskego, WI 53150 USA

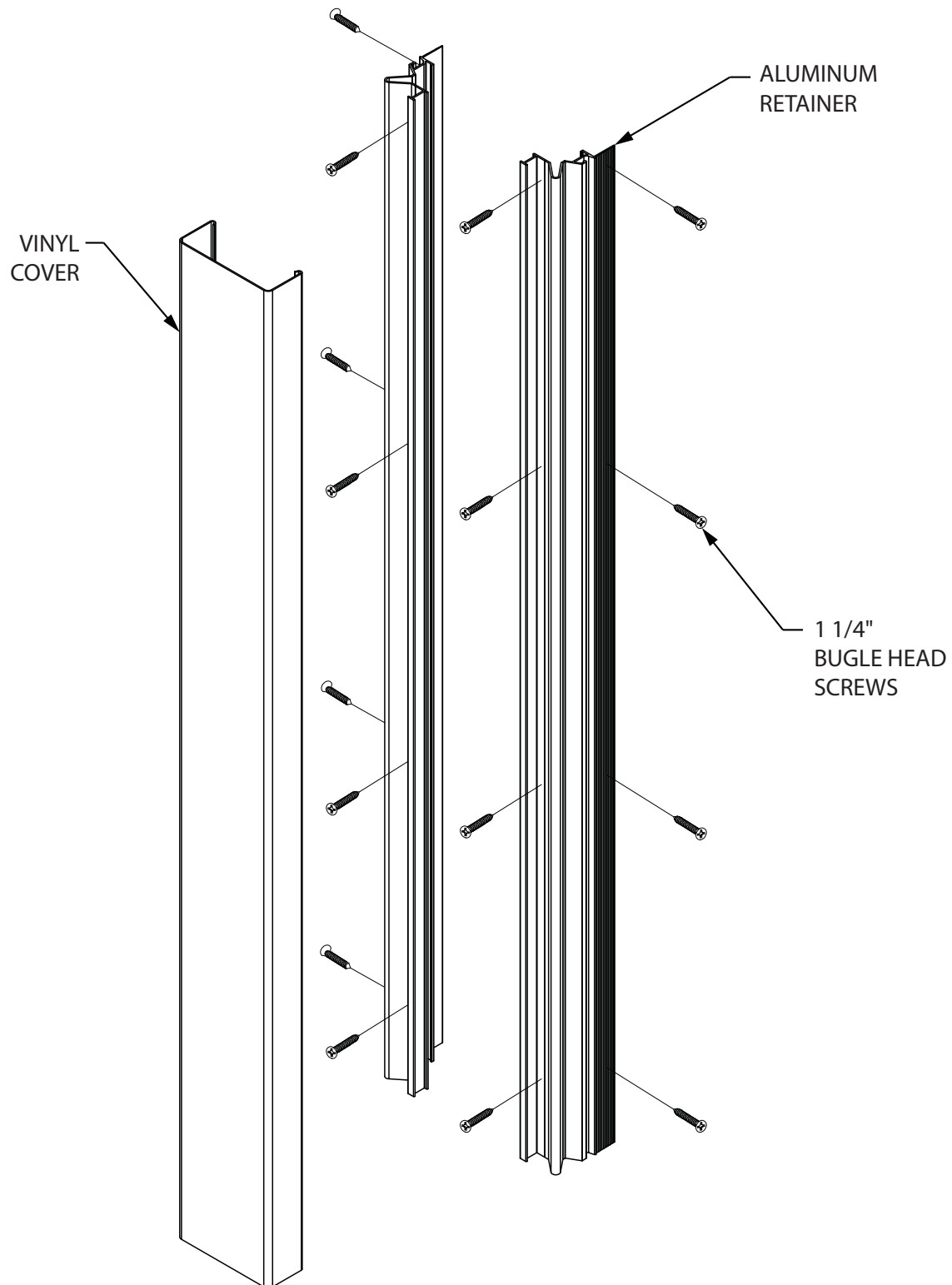
IPC® •
DOOR + WALL PROTECTION SYSTEMS
A DIVISION OF INPRO®

Installation Instructions

140D or G2-140D Flush Mount End Wall Protector

Please read all instructions before installing corner guard.

Exploded Assembly View



Installation Hotline • 866.EZINPRO

Inprocorp.com • 800.222.5556 • 262.679.9010

World Headquarters S80 W18766 Apollo Drive, Muskego, WI 53150 USA

IPC •

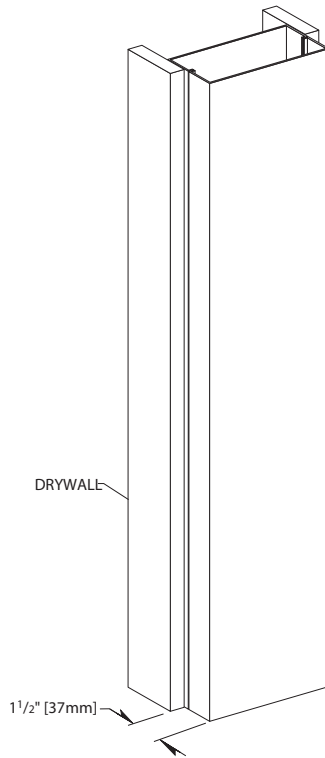
DOOR + WALL PROTECTION SYSTEMS
A DIVISION OF INPRO®

Installation Instructions

140D or G2-140D Flush Mount End Wall Protector

Please read all instructions before installing corner guard.

FIG. 1



1. From the corner of the stud, drywall must be installed 1 1/2" (38mm) back. SEE FIG. 1

2. Position both pieces of aluminum retainer to the studs so mounting flange of retainers rest over edges of drywall. Secure both retainers to studs by staggering fasteners through the pre-punched holes located on the mounting flange and leg of each retainer. SEE FIG. 2

3. Cover mounting flange with joint compound. Feather and finish with surface of drywall. After the drywall is finished, position vinyl cover over the aluminum retainer. Push the cover over the retainer, pressing over the entire length until the vinyl snaps in place. SEE FIG. 3

FIG. 2

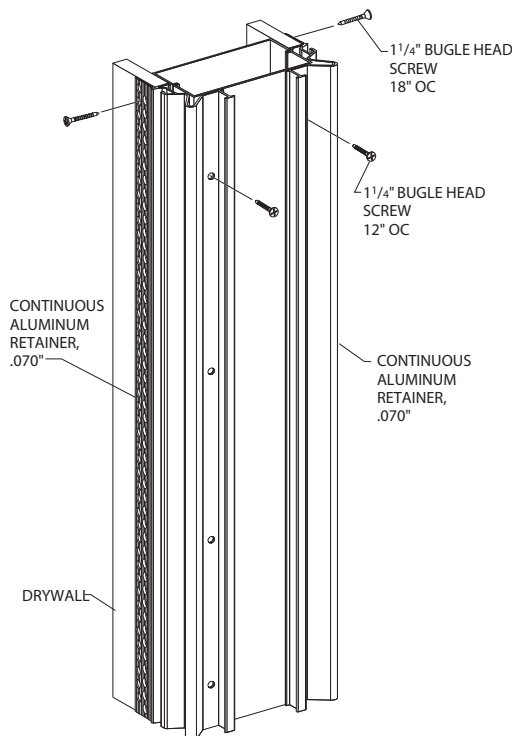


FIG. 3

