

Installation Instructions

1500M Metal Wall Guard

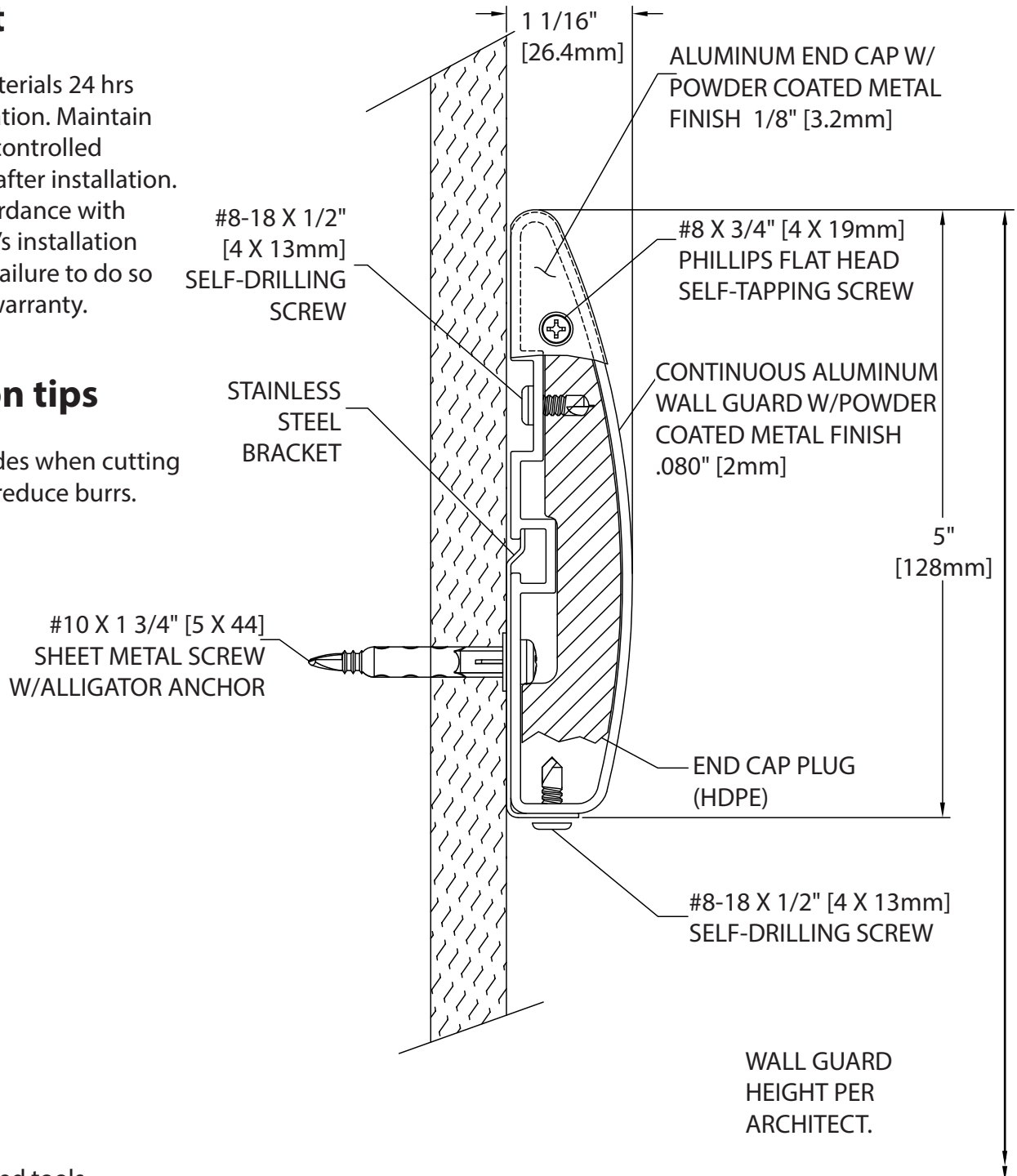
Please read all instructions before installing wallguard.

Important

1. Acclimate materials 24 hrs before installation. Maintain temperature controlled environment after installation.
2. Install in accordance with manufacturer's installation instructions. Failure to do so will void the warranty.

Installation tips

1. Lubricate blades when cutting aluminum to reduce burrs.



Recommended tools

Safety Glasses, Tape Measure, Level, Phillips Screwdrivers, Power Drill, Drill Bits - 1/4" masonry (concrete/concrete block), Power Miter Saw, 10" Blade with 60-80 Carbide Tipped Teeth.

IPC.417/REV.2

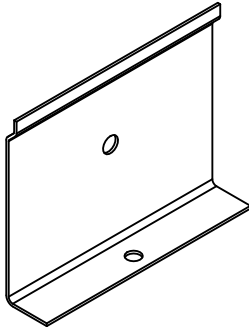
Installation Hotline • 866.EZINPRO
Inprocorp.com • 800.222.5556 • 262.679.9010
World Headquarters S80 W18766 Apollo Drive, Muskego, WI 53150 USA

IPC® •
DOOR + WALL PROTECTION SYSTEMS
A DIVISION OF INPRO®

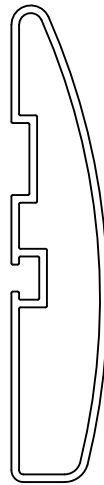
Installation Instructions

1500M Metal Wall Guard

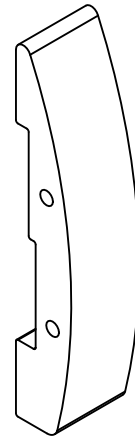
Please read all instructions before installing wallguard.



1500MWGBK-P
METAL WALL GUARD
MOUNTING BRACKET



3500MA-P
ALUMINUM WALL GUARD
PROFILE



1500ECP
MOLDED END
CAP PLUG



1501LEC-P
METAL LEFT
END CAP
PLATE



1501REC-P
METAL RIGHT
END CAP
PLATE

CONDITION	DESCRIPTION	INPRO PART#
PROFILE	#10 X 1 3/4" PHILLIPS PAN HEAD SHEET METAL SCREW, 1/4" ALLIGATOR ANCHOR	HWK-WG
END CAPS	#6 X 3/4" PHILLIPS FLAT HEAD SCREW, #8-18 X 1/2" SELF-TAPING SCREW	HWK-1501M

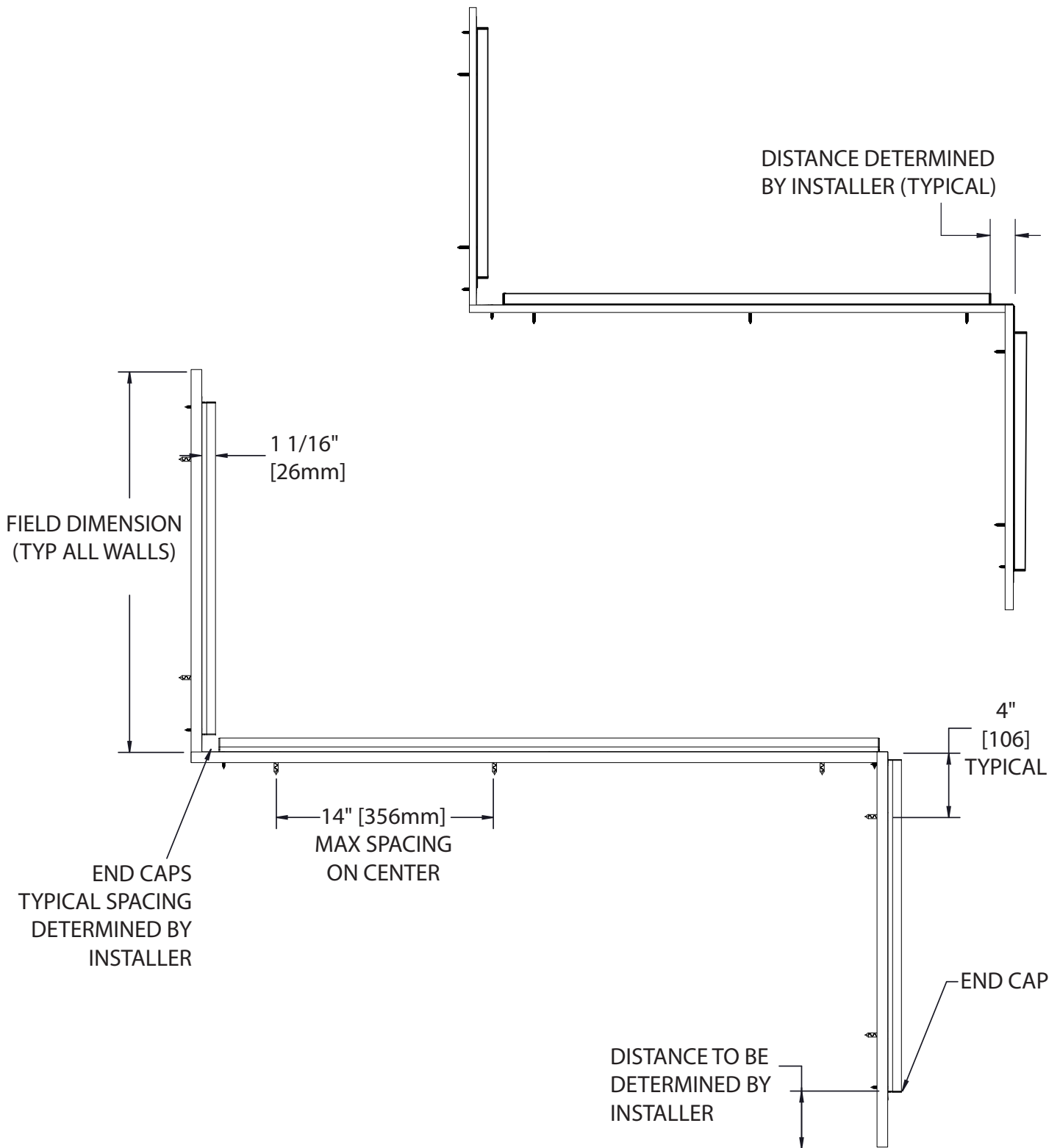
Installation Hotline • 866.EZINPRO
Inprocorp.com • 800.222.5556 • 262.679.9010
World Headquarters S80 W18766 Apollo Drive, Muskego, WI 53150 USA

IPC®
DOOR + WALL PROTECTION SYSTEMS
A DIVISION OF INPRO®

Installation Instructions

1500M Metal Wall Guard

Please read all instructions before installing wallguard.



Installation Hotline • 866.EZINPRO

Inprocorp.com • 800.222.5556 • 262.679.9010

World Headquarters S80 W18766 Apollo Drive, Muskego, WI 53150 USA

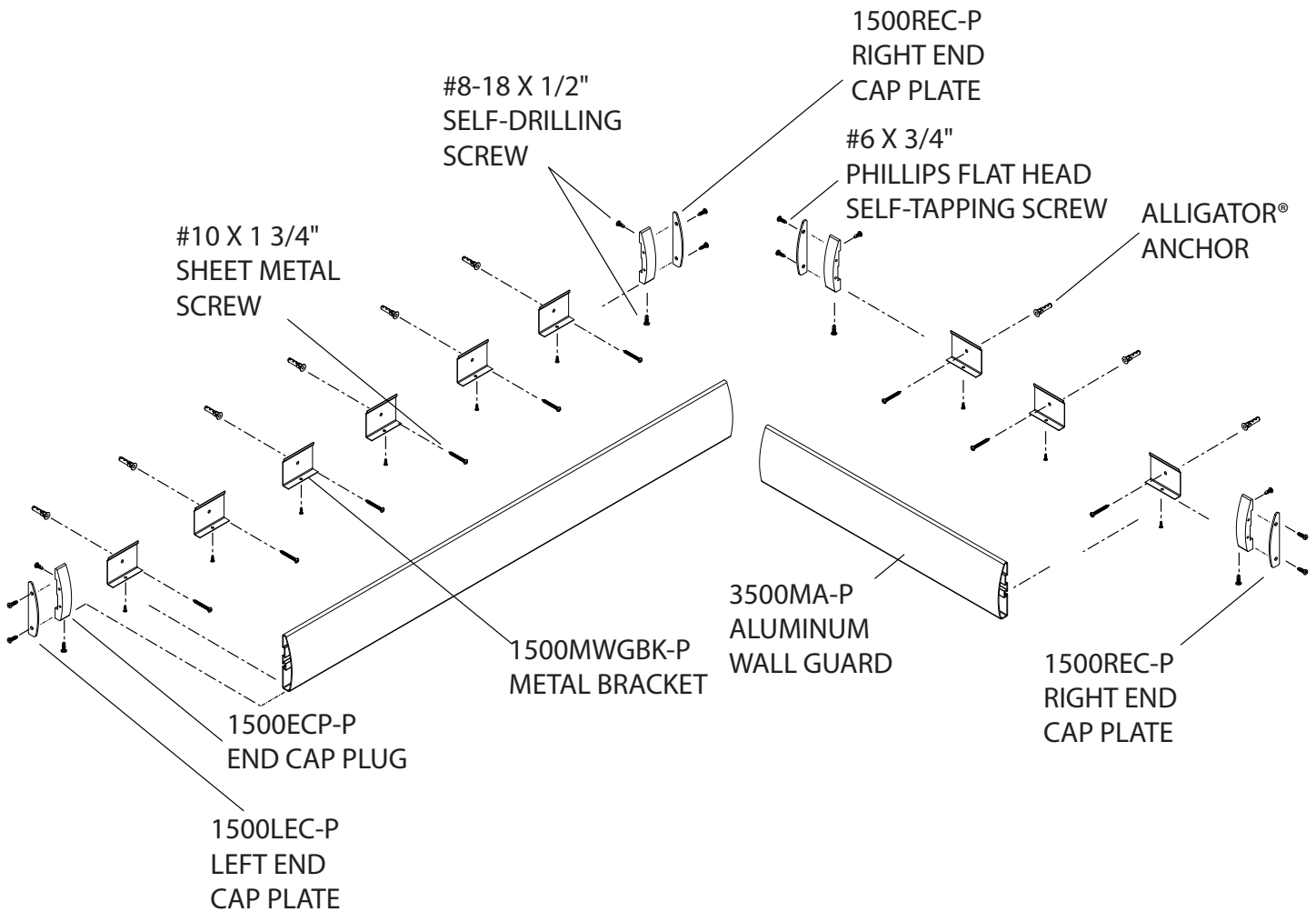
IPC®

DOOR + WALL PROTECTION SYSTEMS
A DIVISION OF INPRO®

Installation Instructions

1500M Metal Wall Guard

Please read all instructions before installing wallguard.



Installation Hotline • 866.EZINPRO

Inprocorp.com • 800.222.5556 • 262.679.9010

World Headquarters S80 W18766 Apollo Drive, Muskego, WI 53150 USA

IPC®

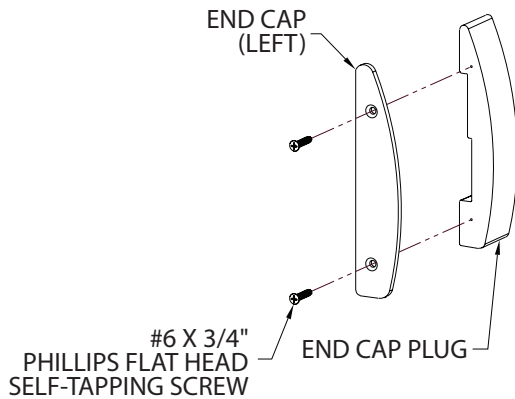
DOOR + WALL PROTECTION SYSTEMS
A DIVISION OF INPRO®

Installation Instructions

1500M Metal Wall Guard

Please read all instructions before installing wallguard.

FIG. 1



1. Cut the wall guard to the required length allowing 1/8" for each end cap.

2. Attach end cap to the end cap plug with two #6 x 3/4" Phillips flat head self tapping screws. **SEE FIGURE 1.**

FIG. 2a

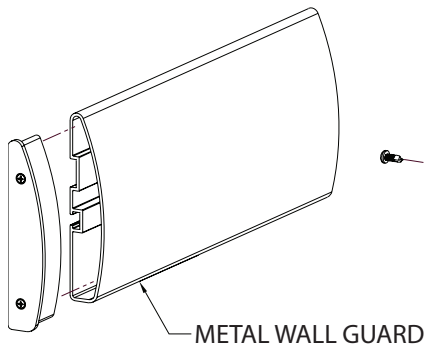
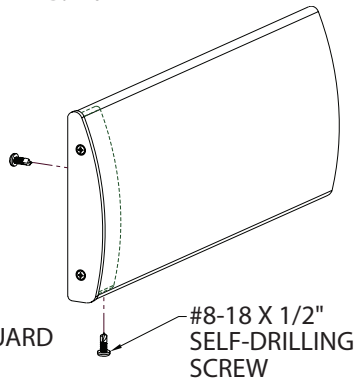


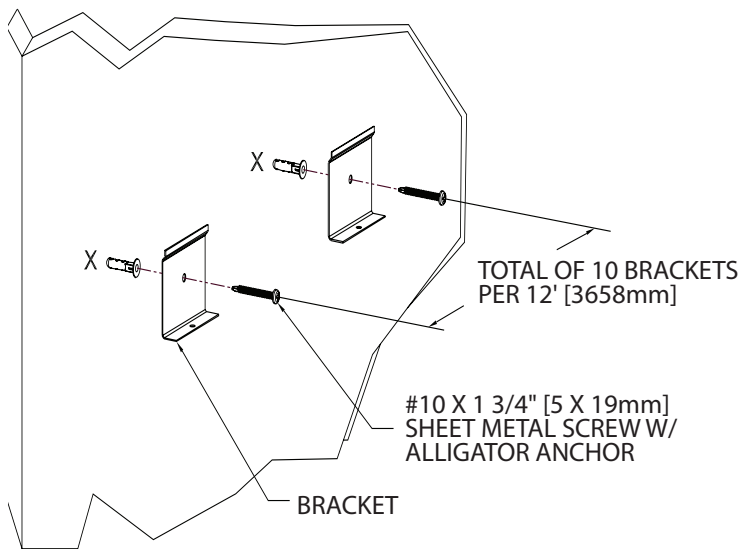
FIG. 2b



3. Slide the end cap plug assembly into the end of the wall guard and secure it with a #8-18 x 1/2" self drilling screws from the bottom and the back.

SEE FIGURE 2a & 2b.

FIG. 3



4. Determine height of wall guard. Deduct 2-5/8" and snap chalk line. Position top edge of Bracket against chalk line. Transfer mounting holes to wall. When installing lengths longer than 12', install brackets on either side of the butt joint.

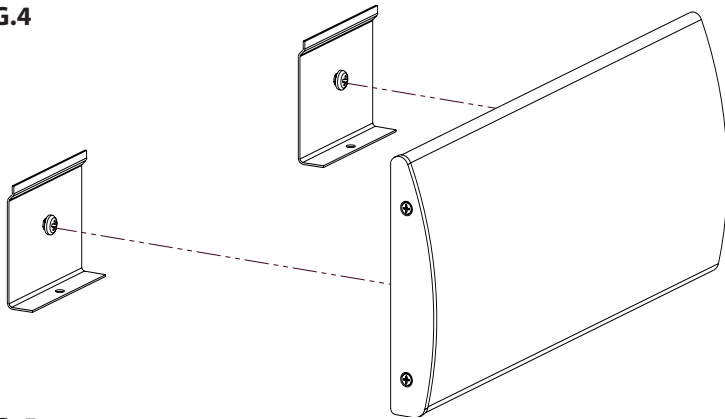
5. Drill each marked hole with a 1/4" [6mm] drill bit and position alligator anchors into holes. Mount brackets on wall and tighten screws to secure. **SEE FIGURE 3.**

Installation Instructions

1500M Metal Wall Guard

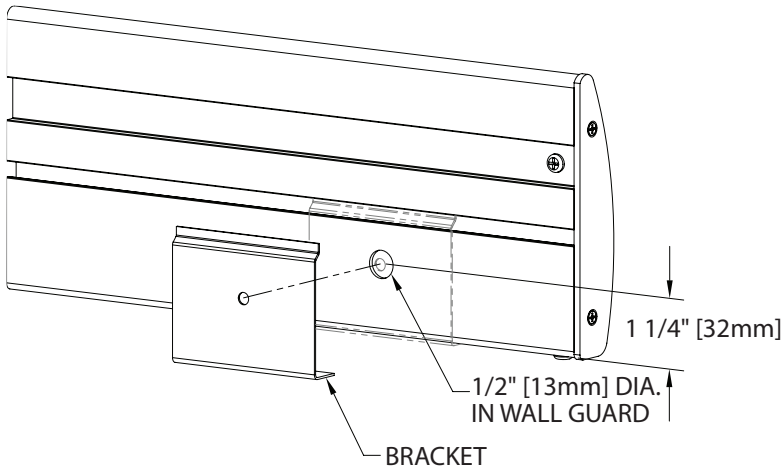
Please read all instructions before installing wallguard.

FIG. 4



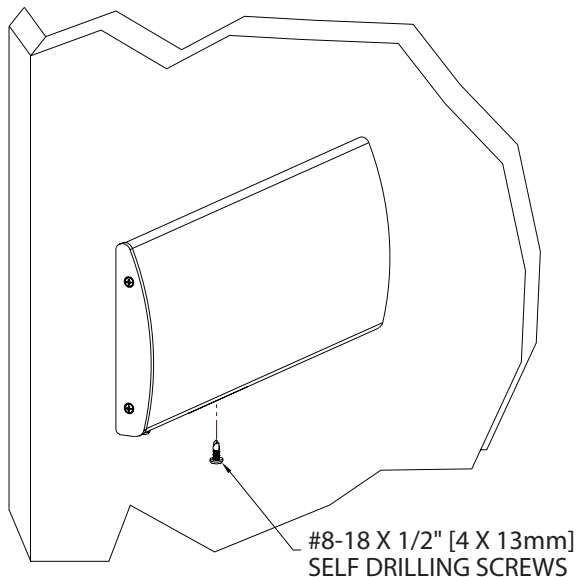
6. Position wall guard on the brackets making sure the top lip of the bracket engages in the channel on the back of the wall guard. Mark the location of the center of the bracket on the wall guard. **SEE FIGURE 4.**

FIG. 5



7. Remove the wall guard from the brackets. On the back of the wall guard drill a 1/2" hole 1-1/4" from the bottom at each mark. This is to prevent the bracket screw head from interfering with the wall guard. **SEE FIGURE 5.**

FIG. 6



8. Return the wall guard to the brackets. Make sure top edge of wall guard is tight to the wall. Secure the wall guard to the brackets with #8-18 x 1/2" self drilling screws from the bottom. **SEE FIGURE 6.**