

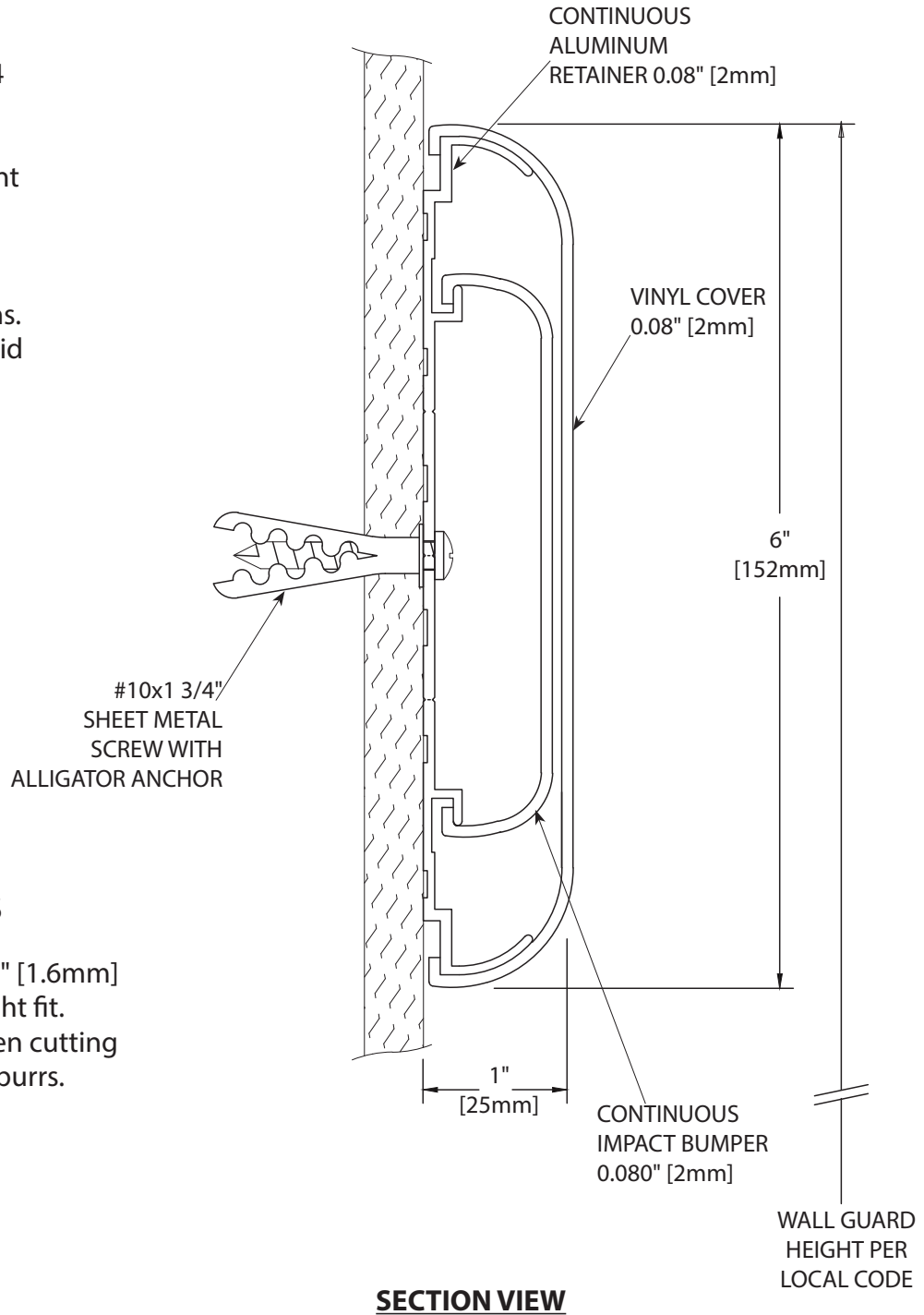
# Installation Instructions

1600/1655/G2-1600 Wall Guard

Please read all instructions before installing  
Wall Guard.

## Important

1. Acclimate materials 24 hrs before installation. Maintain temperature controlled environment after installation.
2. Install in accordance with manufacturer's installation instructions. Failure to do so will void the warranty.



## Installation tips

1. Cut covers up to 1/16" [1.6mm] longer to ensure a tight fit.
2. Lubricate blades when cutting aluminum to reduce burrs.

### RECOMMENDED TOOLS

Safety Glasses, Tape Measure, Power Drill, Drill Bits - 1/4" masonry (concrete/concrete block), Power Miter Saw, 10" Blade with 60-80 Carbide Tipped Teeth

IPC.349/REV.9

Installation Hotline . 866.EZINPRO

Inprocorp.com . 800.222.5556 . 262.679.9010

World Headquarters S80 W18766 Apollo Drive, Muskego, WI 53150 USA

**IPC®**

DOOR + WALL PROTECTION SYSTEMS

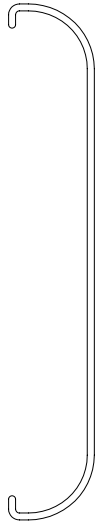
A DIVISION OF INPRO®

# Installation Instructions

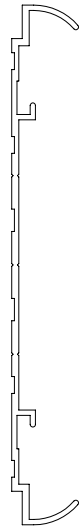
## 1600/1655/G2-1600 Wall Guard

### Components and Fasteners

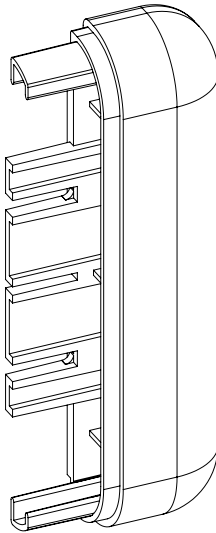
Please read all instructions before installing Wall Guard.



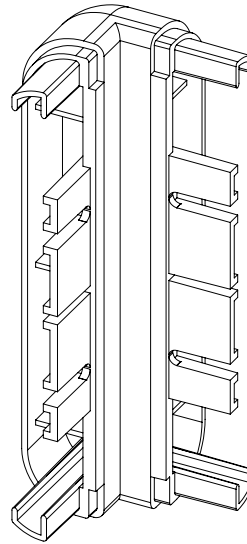
1600V  
VINYL COVER



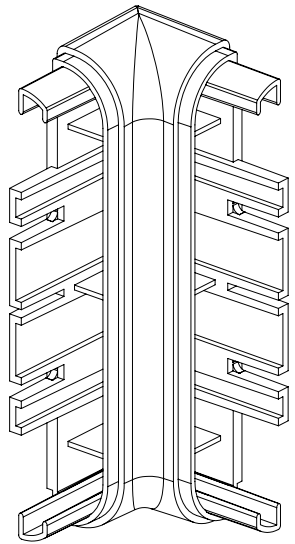
1620A  
CONTINUOUS  
ALUMINUM RETAINER



1622  
END CAP



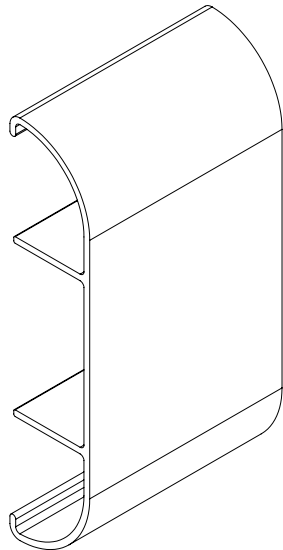
1623  
OUTSIDE CORNER



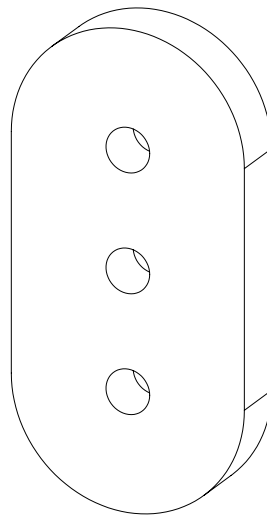
1627  
INSIDE CORNER



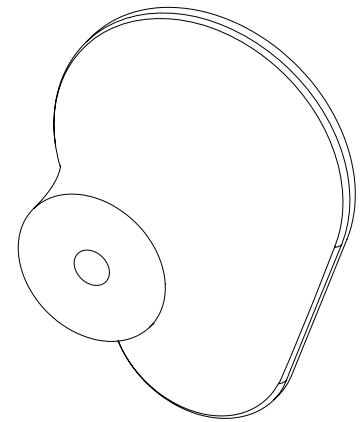
700B  
VINYL IMPACT  
BUMPER



706  
ALUMINUM SPLICE



1601  
RUBBER SPACER  
1/2" THICK  
(OPTIONAL)



801  
INJECTION MOLDED  
BRACKET  
(OPTIONAL)

### Fasteners

Wall Condition	Specified Fasteners	Inpro part #
Wall Guard Profile Hardware	#10 1 3/4" Phillips pan head sheet metal screw with alligator anchor	HWK-WG/CR
Concrete Hardware for Corners	#10 1 3/4" Phillips pan head sheet metal screw with alligator anchor	HWK-CC
Drywall Hardware for Corners	#8 x 1 1/2" Phillips Indented Hex Washer Self-Drilling Screw #2PT ZP	HWK-CDW

Installation Hotline . 866.EZINPRO

Inprocorp.com . 800.222.5556 . 262.679.9010

World Headquarters S80 W18766 Apollo Drive, Muskego, WI 53150 USA

IPC®

DOOR + WALL PROTECTION SYSTEMS

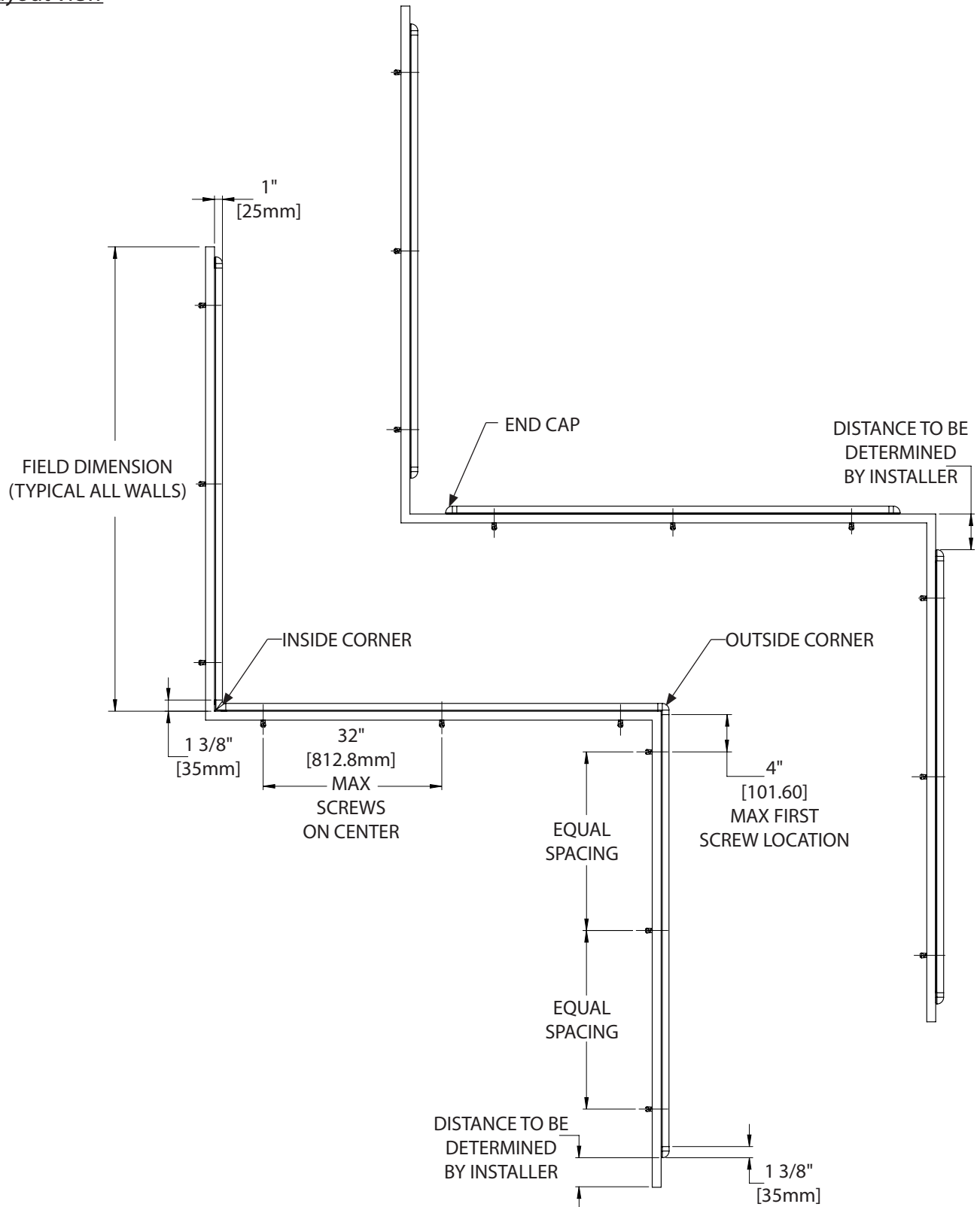
A DIVISION OF INPRO®

# Installation Instructions

1600/1655/G2-1600 Wall Guard

Please read all instructions before installing Wall Guard.

## Layout View



Installation Hotline . 866.EZINPRO

Inprocorp.com . 800.222.5556 . 262.679.9010

World Headquarters S80 W18766 Apollo Drive, Muskego, WI 53150 USA

IPC®

DOOR + WALL PROTECTION SYSTEMS

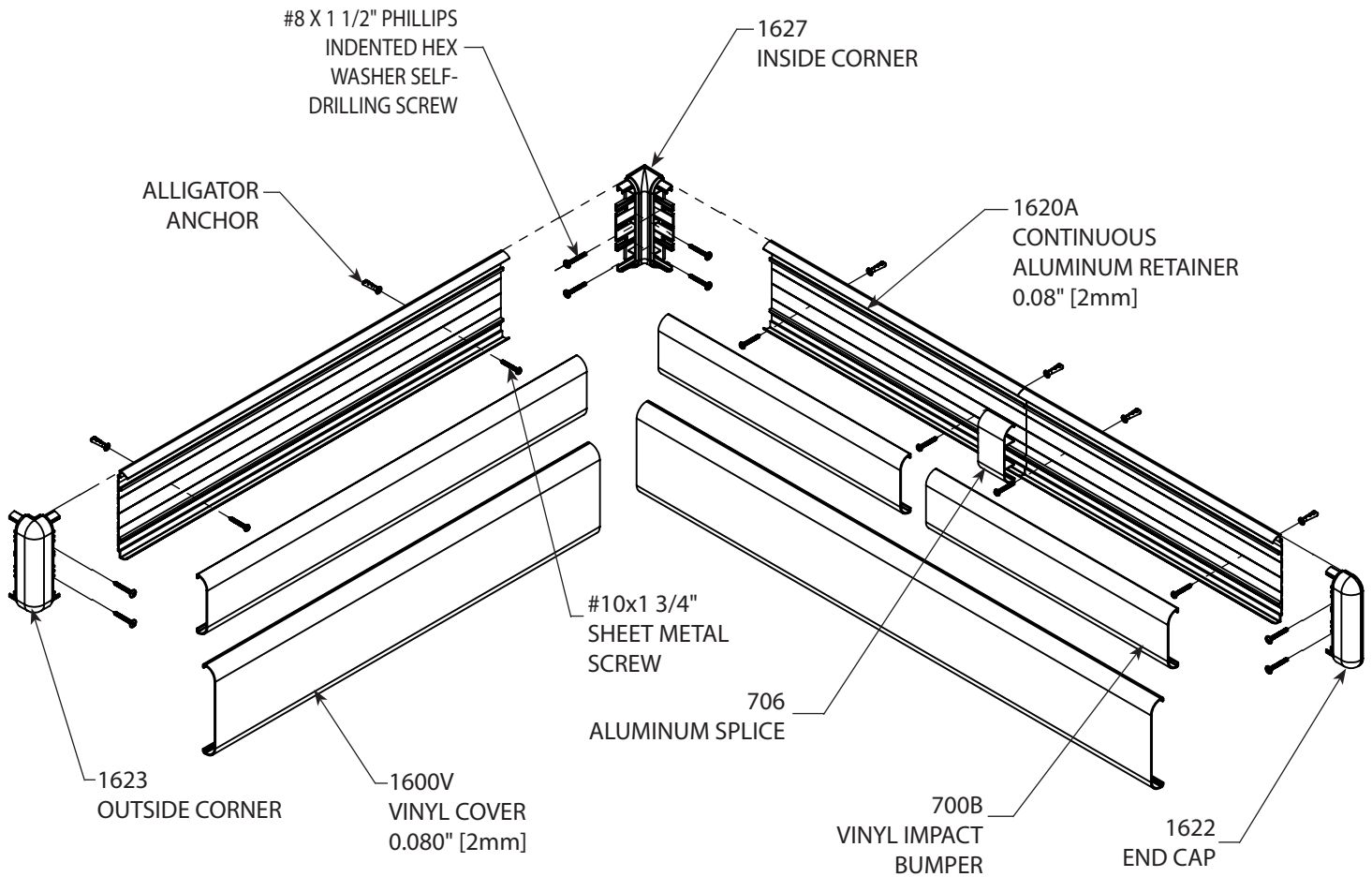
A DIVISION OF INPRO®

# Installation Instructions

## 1600/1655/G2-1600 Wall Guard

Please read all instructions before installing  
Wall Guard.

### Exploded Assembly View



Installation Hotline . 866.EZINPRO

Inprocorp.com . 800.222.5556 . 262.679.9010

World Headquarters S80 W18766 Apollo Drive, Muskego, WI 53150 USA

IPC® •

DOOR + WALL PROTECTION SYSTEMS

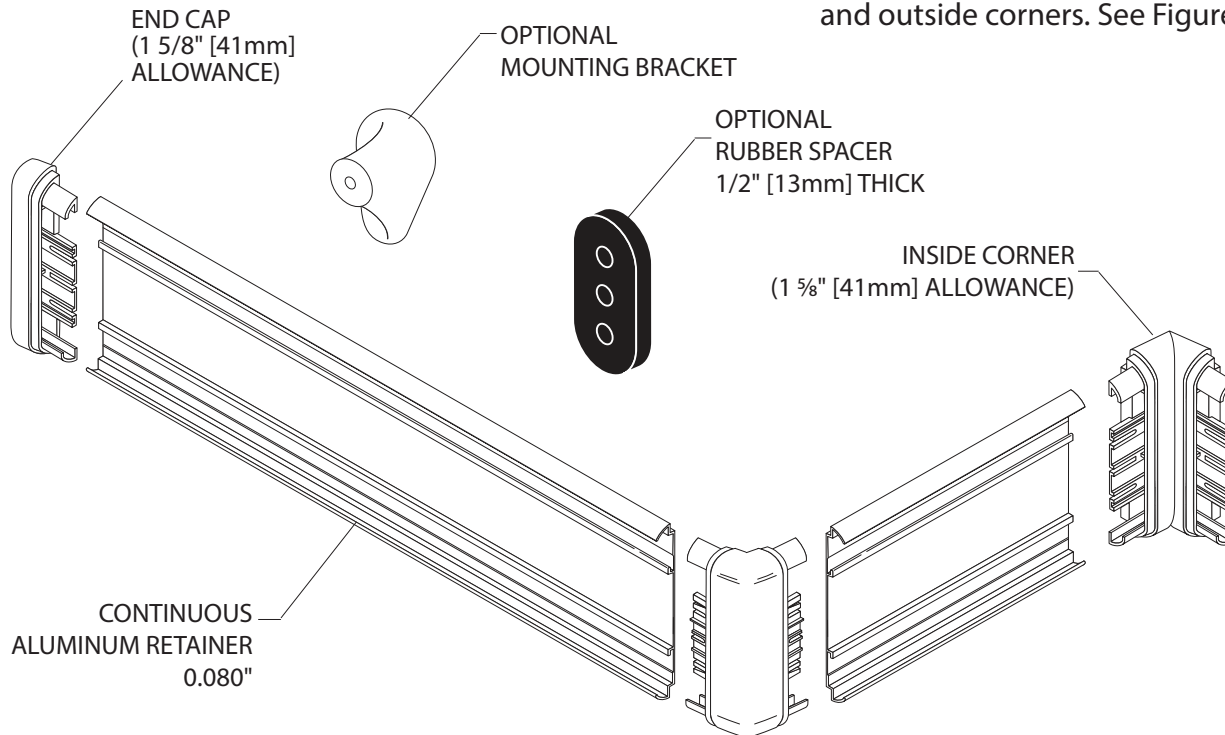
A DIVISION OF INPRO®

# Installation Instructions

1600/1655/G2-1600 Wall Guard

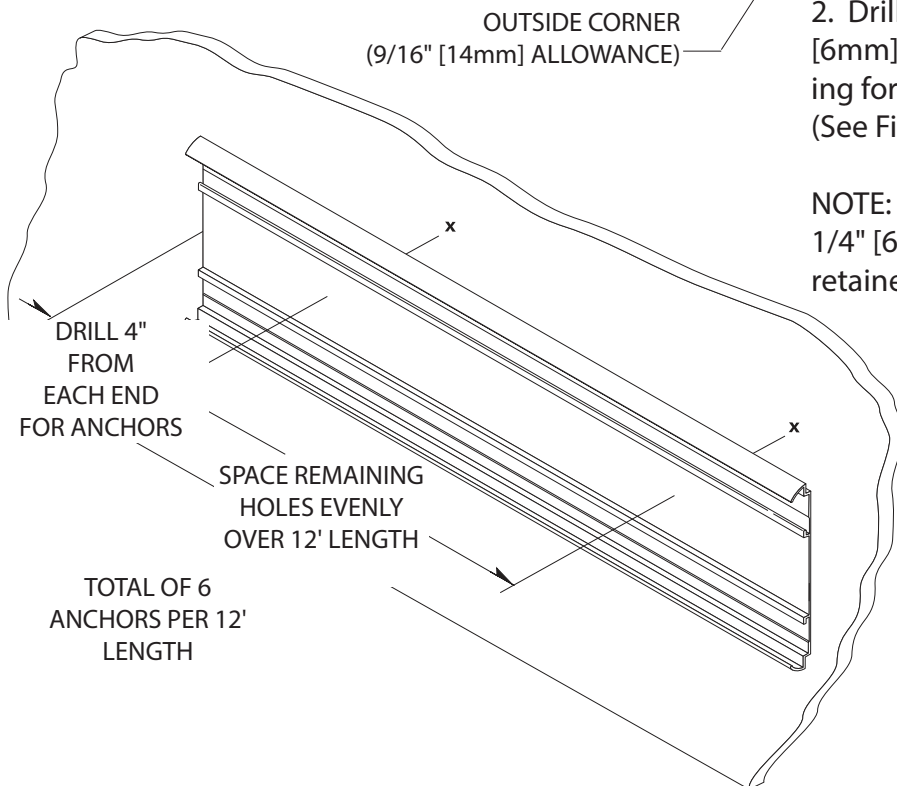
Please read all instructions before installing Wall Guard.

**FIG. 1**



1. Cut aluminum retainer to desired length, leaving allowance for end caps, inside corner and outside corners. See Figure 1.

**FIG. 2**



2. Drill holes in centerline of retainer using 1/4" [6mm] drill bit. Position retainer on wall allowing for end caps/corners. Level and mark holes. (See Figure 2.)

NOTE: For concrete or brick wall installation, drill 1/4" [6mm] holes, 3/8" [10mm] from each end of retainer for end caps/corners.

Installation Hotline . 866.EZINPRO

Inprocorp.com . 800.222.5556 . 262.679.9010

World Headquarters S80 W18766 Apollo Drive, Muskego, WI 53150 USA

IPC® •

DOOR + WALL PROTECTION SYSTEMS

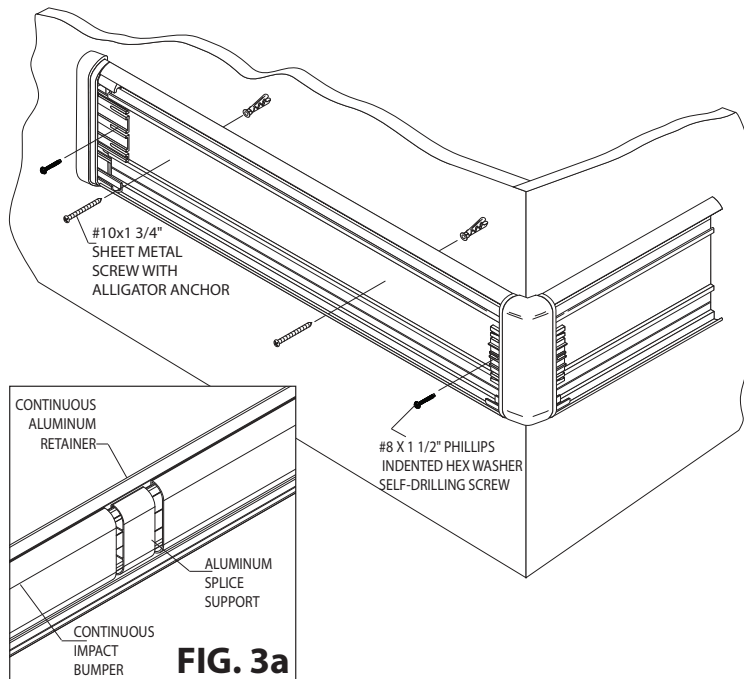
A DIVISION OF INPRO®

# Installation Instructions

## 1600/1655/G2-1600 Wall Guard

Please read all instructions before installing Wall Guard.

FIG. 3



3. Drill marked holes on wall using a 1/4" [6mm] drill bit and position Alligator anchors into holes. Mount retainer on wall and tighten screws to secure. Slide end caps and corners onto the retainer and secure, leaving a 1/16" [1.5mm] gap between returns/corners and retainer to allow for adjustment. (See Figure 3.)

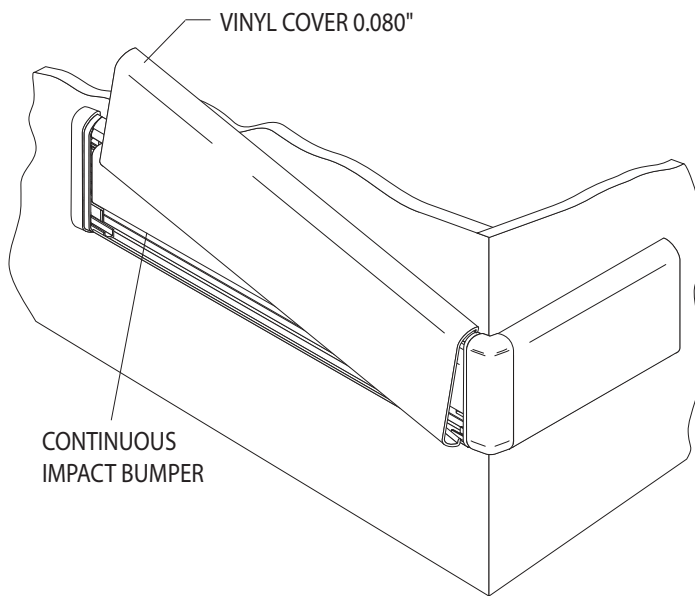
With lengths over 12' [3658mm], an aluminum splice support is recommended behind vinyl butt joints for added support. Snap aluminum support on the aluminum retainer behind the vinyl cover butt joint. (See Figure 3a.)

NOTE: For concrete or brick wall installation, use #10 x 13/4" [5 x 44mm] Phillips pan head screws to secure end caps and corners.

NOTE: If rubber spacers are used, attach them behind the retainer at all mounting hole locations, including those for end caps and corners.

NOTE: If brackets are used, use a 3/4" [19mm] drill bit for toggle wings or a 1/2" [13mm] drill bit for lead anchors to drill the marked holes on the wall. Attach end caps and corners with 5/8" [16] hex bolt assembly.

FIG. 4



4. Cut the impact bumper to the length between the inside edge of the end caps/corners. Position and snap bumper in place. Cut the cover to length between end caps and/or corners. (Note: Trim factory edges square before installation). Position cover on retainer and adjust returns and/or corners for a tight fit. Push cover over the retainer until it snaps into place. (See Figure 4.)

NOTE: For 1655 Only - When continuous runs are over 12' [3658], covers should be installed in consecutive order using the numbers found on the back of covers. This ensures proper alignment.

Installation Hotline . 866.EZINPRO

Inprocorp.com . 800.222.5556 . 262.679.9010

World Headquarters S80 W18766 Apollo Drive, Muskego, WI 53150 USA

IPC® •

DOOR + WALL PROTECTION SYSTEMS  
A DIVISION OF INPRO®