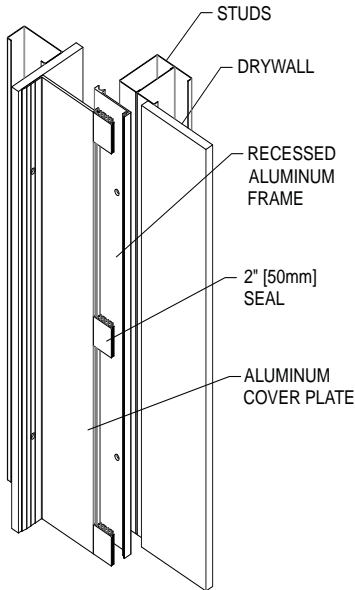


Installation Instructions

Joint System: 221-A09 (4" -18" [100 -450mm] Systems)

Note: Verify that the structural gap and blockout dimensions are in conformance with submittal data before beginning installation. If this is a Fire Rated Assembly, the fire barrier must be installed before the Architectural Joint System. Refer to the fire barrier instructions for specific system installation.

Fig.1



1. Recess 5/8" [15mm] drywall as per the architectural drawings.

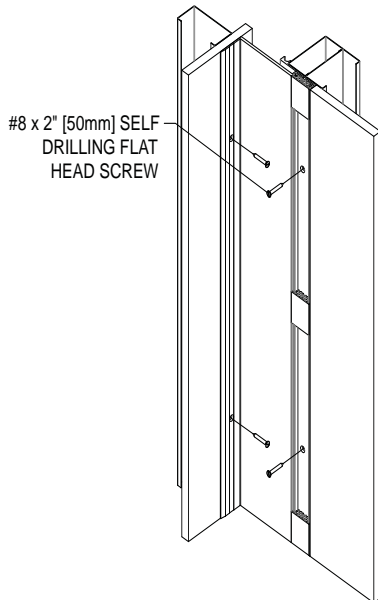
Figure 1

2. Cut the recessed aluminum frame to the desired length.
3. Place the recessed frame in the drywall recess.
4. To properly space frames, cut 3 small 2" (50mm) sections of seal. Insert one at each end and one in the center of cover plate and recess frame.

Figure 2

5. Attach the frames and cover plate using #8 x 2" [50mm] self drilling flat head screws 18" [457] on center.
6. Remove temporary spacers.

Fig.2



IPC.1814/REV.1

Installation Instructions

Joint System: 221-A09 (4" -18" [100 -450mm] Systems)

Fig.3

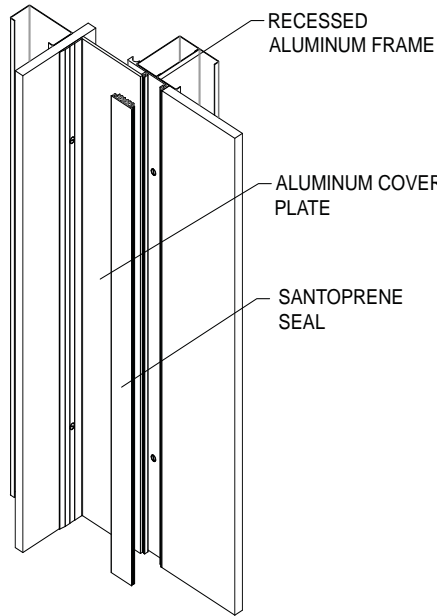


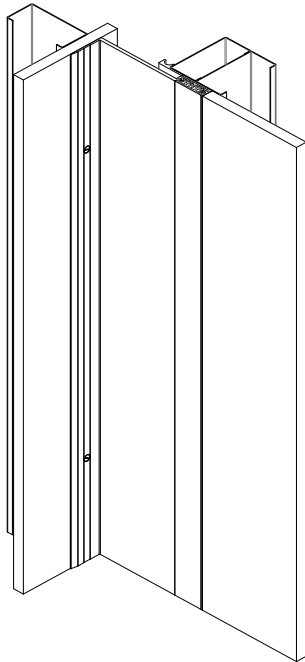
Figure 3

7. Spray a soap and water solution in the grooves of the cover plate and the recessed frame.
8. Press the santoprene seal into the grooves flush with the cover plate and recess frame. A 1" [25mm] wide seam roller may be used to fully engage the seal ears into the groove.

Figure 4

9. Clean the seal and cover plate with a cleaner similiar to a 409 cleaner.

Fig.4



Installation Hotline • 866.EZINPRO

Inprocorp.com • 800.222.5556 • 262.679.9010

World Headquarters S80 W18766 Apollo Drive, Muskego, WI 53150 USA

JOINTMASTER®
EXPANSION JOINT SYSTEMS
A DIVISION OF INPRO®