

SPECIFY SEAL COLOR:	
Black (J1D301)	
Beige (J1D302)	
Gray (J1D303)	
Off White (J1D304)	
Bright White (J1D305)	

233-A07-200 SYSTEM THERMAL

Joint Width	Movement ±				
	Horizontal		Vertical		
US mm	US mm	US mm	US mm	US mm	US mm
8" 203	2" 51	2" 51	2" 51	2" 51	2" 51

SEISMIC

Joint Width	Movement ±				
	Horizontal		Vertical		
US mm	US mm	US mm	US mm	US mm	US mm
8" 203	4" 102	4" 102	4" 102	4" 102	4" 102

FINISH: ALUMINUM FINISH-MILL

JOINTMASTER®
EXPANSION JOINT SYSTEMS
A DIVISION OF INPRO®

DATE: 03-15-17

SCALE: 1:8

DOC: CADJM.104Rev2

APPLICATION
WALL/WALL-CEILING/CEILING
CONDITION W/DUAL SEALS

PROJECT:

CUSTOMER:

LOCATION:

inpro®

#8 X 2" [M4x50] SELF-TAPPING SHEET METAL SCREW (7 PER FRAME @ 18" (457mm) O.C.) (JK061)

1/4"-20 X 3" PHILLIPS FLAT HEAD MACHINE SCREW W/ COMPRESSION SPRING ASSEMBLY (7 PER PLATE @ 18" (457mm) O.C.) (JK123)

STEEL CENTERING BAR (J7J018-TH-7_10IN) (7 PER PLATE @ 18" (457mm) O.C.)

5/8" [16mm] DRYWALL (BY OTHERS)

3/4" [19mm]

3" [75mm]

CONT. SANTOPRENE SEALS

FEATHER JOINT DRYWALL COMPOUND (BY OTHERS)

CONT. ALUM. WALL FRAME (J1A030-F)

CONT. ALUM. RECESSED FRAME (J2A004-F)

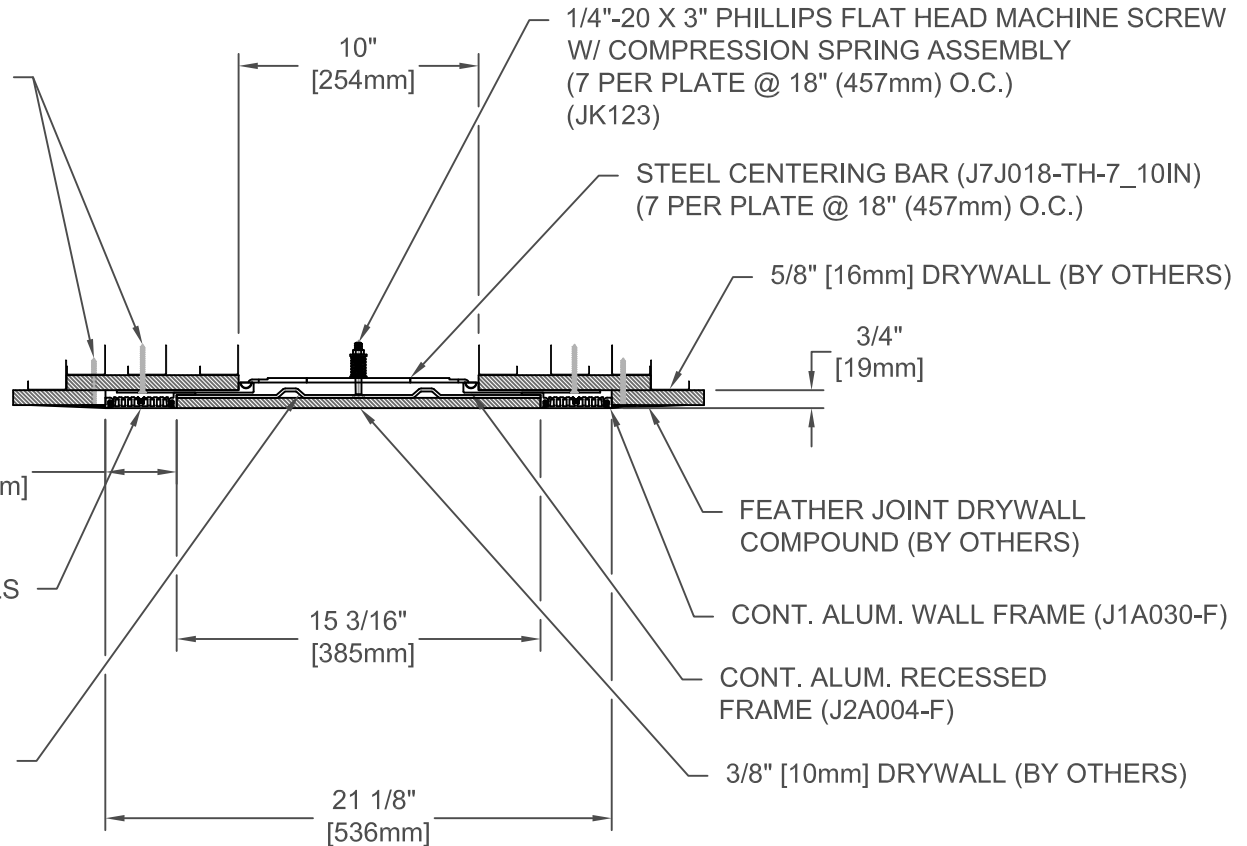
3/8" [10mm] DRYWALL (BY OTHERS)

CONT. ALUM. PLATE (J2C071-FW)

15 3/16" [385mm]

21 1/8" [536mm]

10" [254mm]



SPECIFY SEAL COLOR:	
Black (J1D301)	
Beige (J1D302)	
Gray (J1D303)	
Off White (J1D304)	
Bright White (J1D305)	

233-A07-250 SYSTEM THERMAL

Joint Width	Movement ±				
	Horizontal		Vertical		
US mm	US mm	US mm	US mm	US mm	US mm
10" 254	2" 51	5" 127	5" 127	5" 127	5" 127

SEISMIC

Joint Width	Movement ±				
	Horizontal		Vertical		
US mm	US mm	US mm	US mm	US mm	US mm
10" 254	5" 127	5" 127	5" 127	5" 127	5" 127

FINISH: ALUMINUM FINISH-MILL

JOINTMASTER®
EXPANSION JOINT SYSTEMS
A DIVISION OF INPRO®

DATE: 03-15-17

SCALE: 1:8

DOC: CADJM.104Rev2

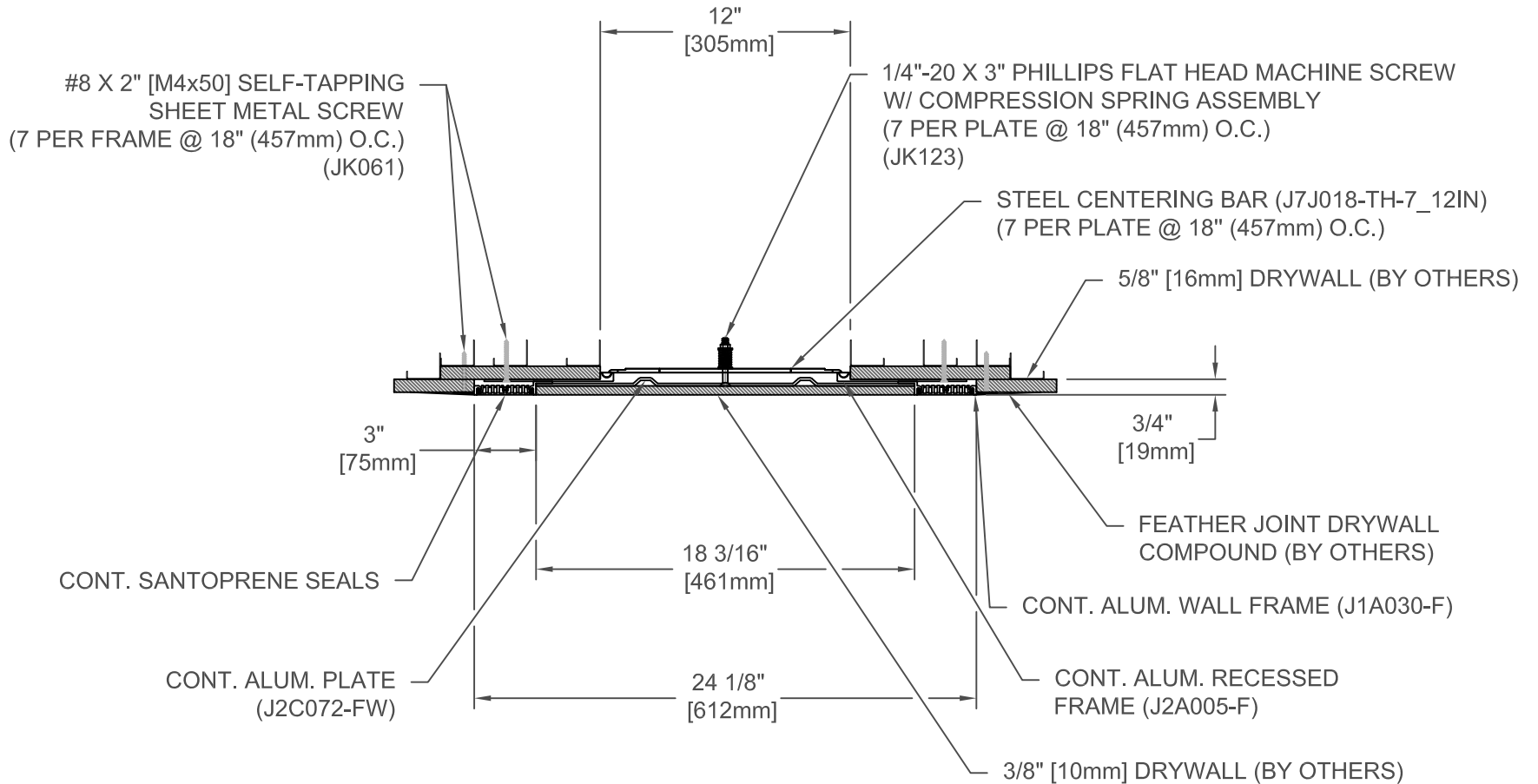
APPLICATION
WALL/WALL-CEILING/CEILING
CONDITION W/DUAL SEALS

PROJECT:

CUSTOMER:

LOCATION:

inpro®



SPECIFY SEAL COLOR:	
Black (J1D301)	
Beige (J1D302)	
Gray (J1D303)	
Off White (J1D304)	
Bright White (J1D305)	

233-A07-300 SYSTEM THERMAL

Joint Width	Movement ±			
	Horizontal		Vertical	
US mm	US	mm	US	mm
12" 305	2"	51	2"	51

SEISMIC

Joint Width	Movement ±			
	Horizontal		Vertical	
US mm	US	mm	US	mm
12" 305	6"	152	6"	152

FINISH: ALUMINUM FINISH-MILL

JOINTMASTER®
EXPANSION JOINT SYSTEMS
A DIVISION OF INPRO®

DATE: 03-15-17

SCALE: 1:8

DOC: CADJM.104Rev2

APPLICATION
WALL/WALL-CEILING/CEILING
CONDITION W/DUAL SEALS

PROJECT:

CUSTOMER:

LOCATION:

inpro®

#8 X 2" [M4x50] SELF-TAPPING SHEET METAL SCREW (7 PER FRAME @ 18" (457mm) O.C.) (JK061)

1/4"-20 X 3" PHILLIPS FLAT HEAD MACHINE SCREW W/ COMPRESSION SPRING ASSEMBLY (7 PER PLATE @ 18" (457mm) O.C.) (JK123)

STEEL CENTERING BAR (J7J024-TH-7_14in) (7 PER PLATE @ 18" (457mm) O.C.)

5/8" [16mm] DRYWALL (BY OTHERS)

3/4" [19mm]

FEATHER JOINT DRYWALL COMPOUND (BY OTHERS)

CONT. ALUM. WALL FRAME (J1A030-F)

CONT. ALUM. RECESSED FRAME (J2A006-F)

3/8" [10mm] DRYWALL (BY OTHERS)

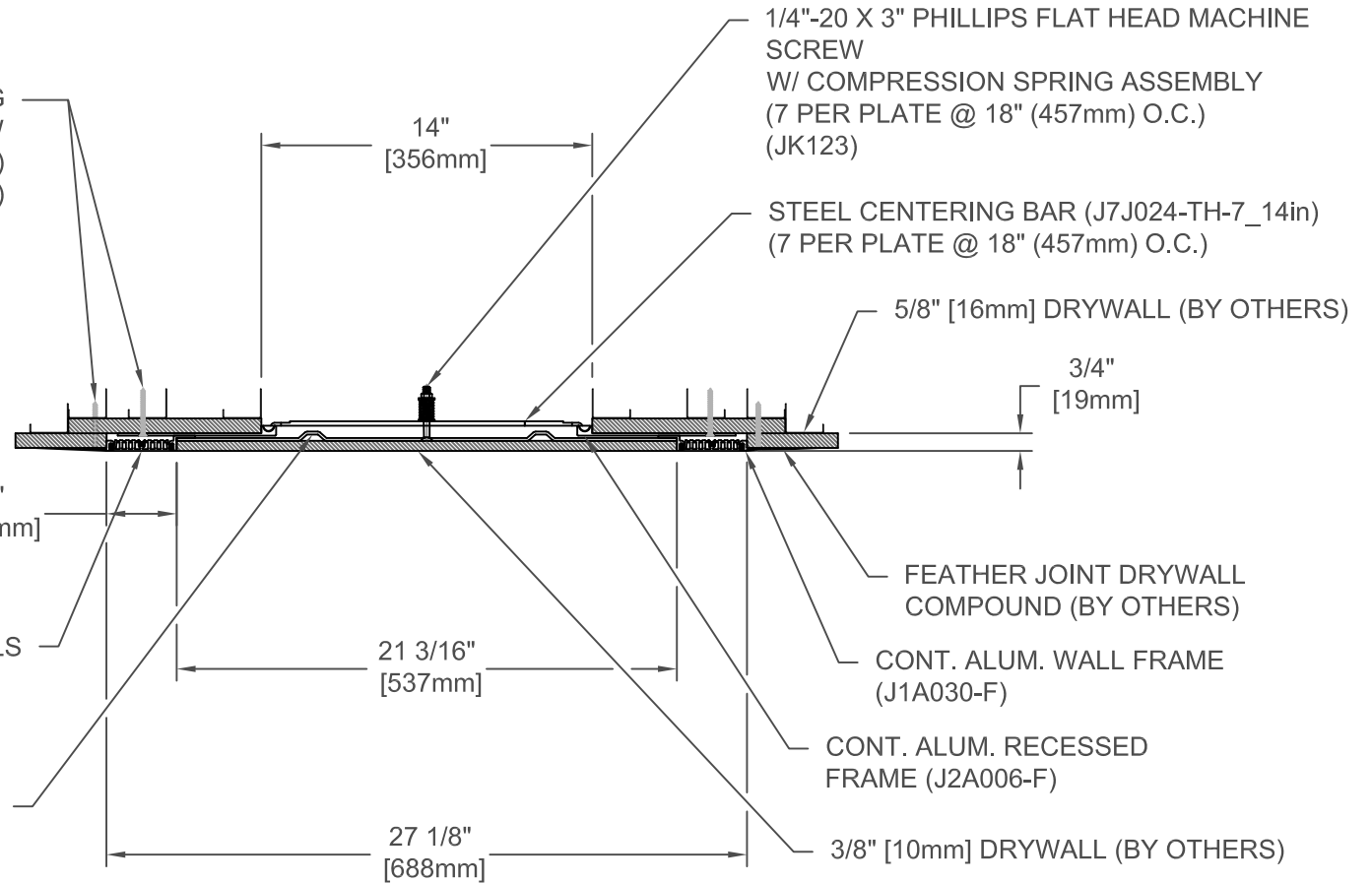
3" [75mm]

CONT. SANTOPRENE SEALS

21 3/16" [537mm]

CONT. ALUM. PLATE (J2C073-FW)

27 1/8" [688mm]



SPECIFY SEAL COLOR:	
Black (J1D301)	
Beige (J1D302)	
Gray (J1D303)	
Off White (J1D304)	
Bright White (J1D305)	

233-A07-350 SYSTEM THERMAL

Joint Width	Movement ±				
	Horizontal		Vertical		
US mm	US mm	US mm	US mm	US mm	US mm
14" 356	2"	51	2"	51	

SEISMIC

Joint Width	Movement ±				
	Horizontal		Vertical		
US mm	US mm	US mm	US mm	US mm	US mm
14" 356	7"	178	7"	178	

FINISH: ALUMINUM FINISH-MILL

JOINTMASTER®
EXPANSION JOINT SYSTEMS
A DIVISION OF INPRO®

DATE: 03-15-17

SCALE: 1:8

DOC: CADJM.104Rev2

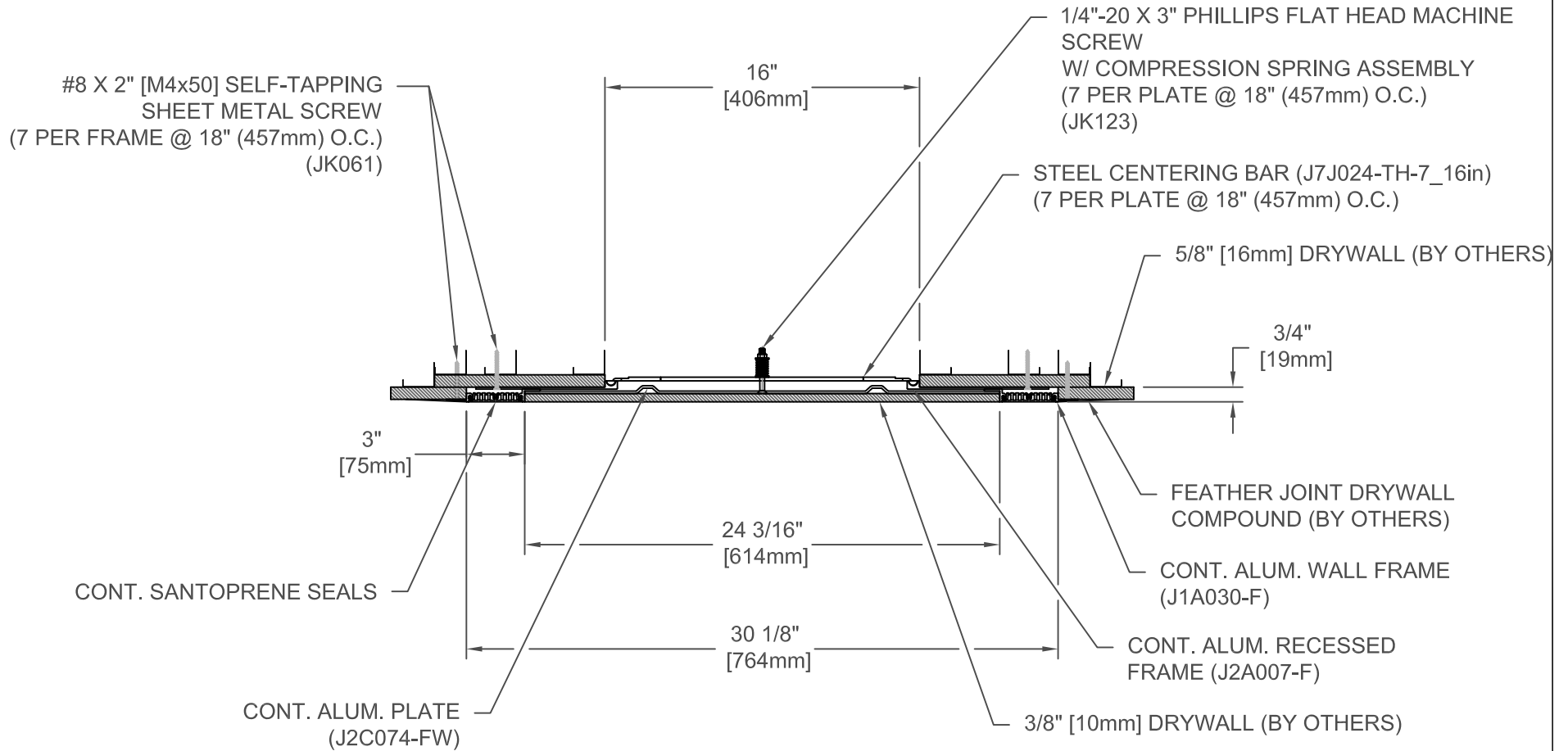
APPLICATION
WALL/WALL-CEILING/CEILING
CONDITION W/DUAL SEALS

PROJECT:

CUSTOMER:

LOCATION:

inpro®



SPECIFY SEAL COLOR:	
Black (J1D301)	
Beige (J1D302)	
Gray (J1D303)	
Off White (J1D304)	
Bright White (J1D305)	

233-A07-400 SYSTEM THERMAL

Joint Width	Movement ±				
	Horizontal		Vertical		
US mm	US mm	US mm	US mm	US mm	US mm
16" 406	2'	51	2"	51	

SEISMIC

Joint Width	Movement ±				
	Horizontal		Vertical		
US mm	US mm	US mm	US mm	US mm	US mm
16" 406	8"	203	8"	203	

FINISH: ALUMINUM FINISH-MILL

JOINTMASTER®
EXPANSION JOINT SYSTEMS
A DIVISION OF INPRO®

DATE: 03-15-17
SCALE: 1:8
DOC: CADJM.104Rev2

APPLICATION
WALL/WALL-CEILING/CEILING
CONDITION W/DUAL SEALS

PROJECT:
CUSTOMER:
LOCATION:



#8 X 2" [M4x50] SELF-TAPPING SHEET METAL SCREW (7 PER FRAME @ 18" (457mm) O.C.) (JK061)

1/4"-20 X 3" PHILLIPS FLAT HEAD MACHINE SCREW W/ COMPRESSION SPRING ASSEMBLY (7 PER PLATE @ 18" (457mm) O.C.) (JK123)

STEEL CENTERING BAR (J7J030-TH-7_18in) (7 PER PLATE @ 18" (457mm) O.C.)

5/8" [16mm] DRYWALL (BY OTHERS)

3/4" [19mm]

FEATHER JOINT DRYWALL COMPOUND (BY OTHERS)

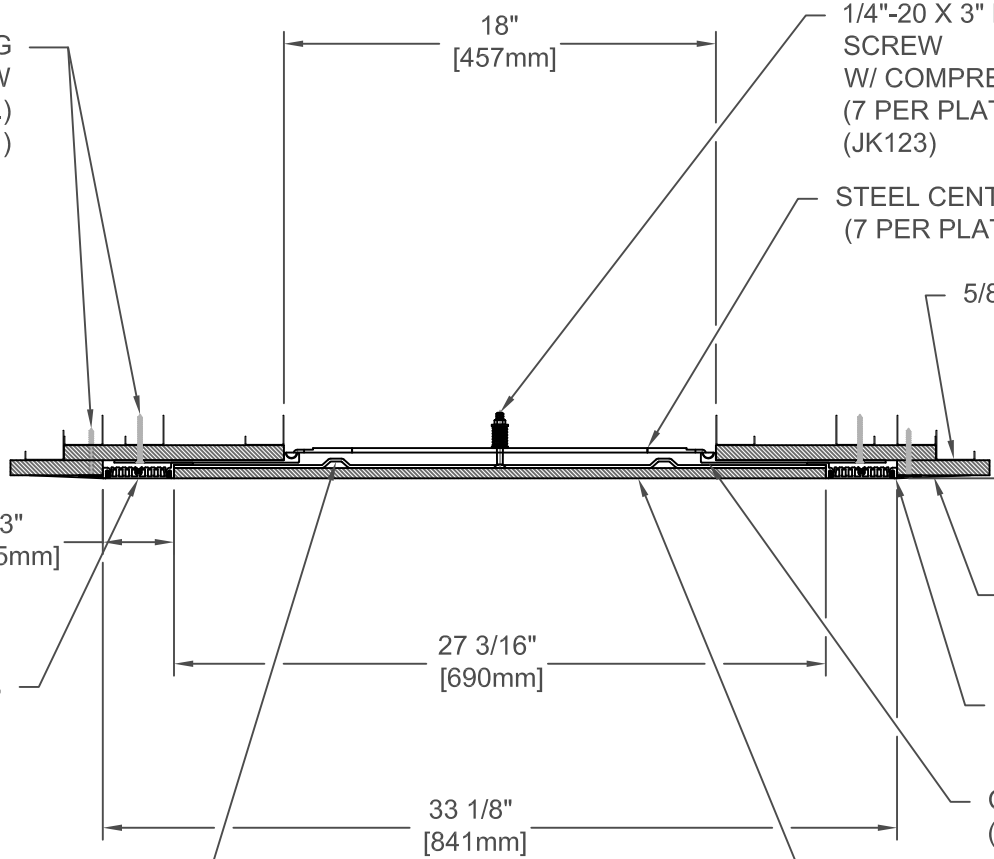
CONT. ALUM. WALL FRAME (J1A030-F)

CONT. ALUM. RECESSED FRAME (J2A008-F)

3/8" [10mm] DRYWALL (BY OTHERS)

CONT. ALUM. PLATE (J2C075-FW)

CONT. SANTOPRENE SEALS



SPECIFY SEAL COLOR:	
Black (J1D301)	
Beige (J1D302)	
Gray (J1D303)	
Off White (J1D304)	
Bright White (J1D305)	

233-A07-450 SYSTEM THERMAL

Joint Width	Movement ±			
	Horizontal		Vertical	
US mm	US	mm	US	mm
18" 457	2"	51	2"	51

SEISMIC

Joint Width	Movement ±			
	Horizontal		Vertical	
US mm	US	mm	US	mm
18" 457	9"	229	9"	229

FINISH: ALUMINUM FINISH-MILL

JOINTMASTER®
EXPANSION JOINT SYSTEMS
A DIVISION OF INPRO®

DATE: 03-15-17
SCALE: 1:8
DOC: CADJM.104Rev2

APPLICATION
WALL/WALL-CEILING/CEILING
CONDITION W/DUAL SEALS

PROJECT:
CUSTOMER:
LOCATION:

