

300-A07-025

Joint Width		Movement ±			
		Horizontal		Vertical	
US	mm	US	mm	US	mm
1"	25	1/2"	13	1/4"	6

FINISH: CLEAR ANODIZED

JOINTMASTER
EXPANSION JOINT SYSTEMS
A DIVISION OF INPRO

DATE: 4-11-05

SCALE: 1:2

DOC: CADJM.017/Rev3

APPLICATION-
GLIDE PLATE
WALL/WALL, CEILING/CEILING CONDITION

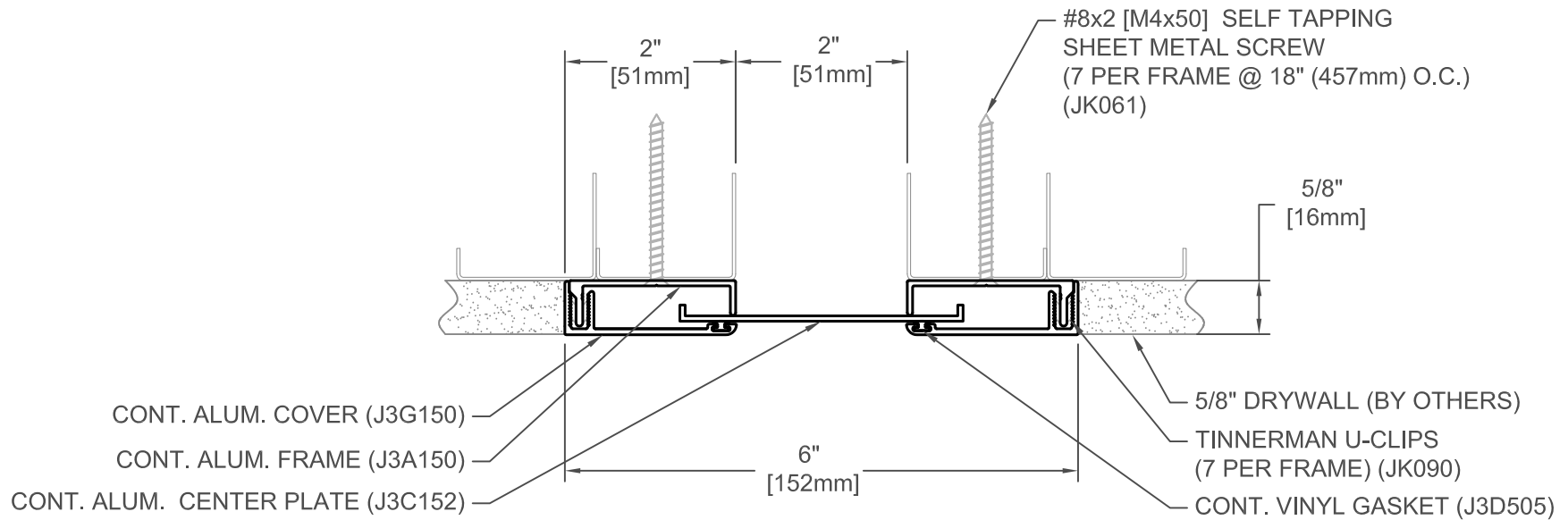
PROJECT:

CUSTOMER:

LOCATION:

inpro

For More Information Visit: Inprocorp.com



300-A07-050

Joint Width		Movement ±			
		Horizontal		Vertical	
US	mm	US	mm	US	mm
2"	51	1"	25	1/2"	13

FINISH: CLEAR ANODIZED

JOINTMASTER
EXPANSION JOINT SYSTEMS
A DIVISION OF INPRO®

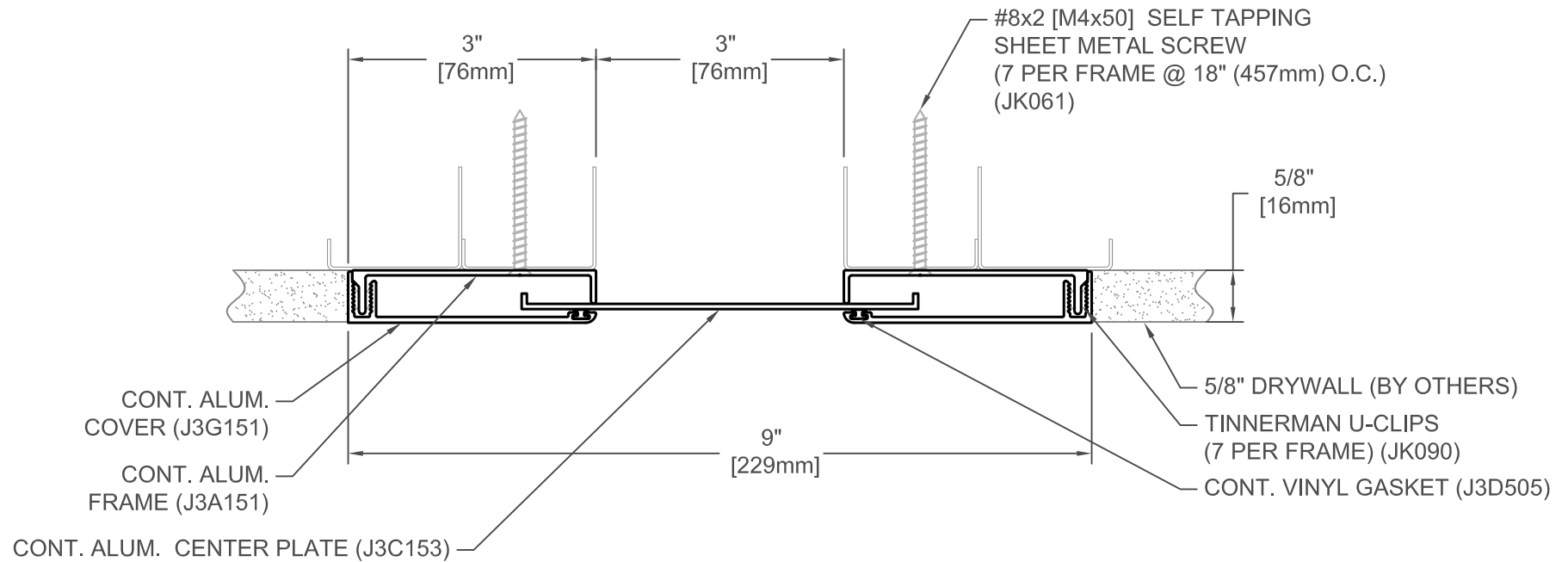
DATE: 4-11-05
SCALE: 1:2
DOC: CADJM.017/Rev3

APPLICATION-
GLIDE PLATE
WALL/WALL, CEILING/CEILING CONDITION

PROJECT:
CUSTOMER:
LOCATION:

inpro

For More Information Visit: Inprocorp.com



300-A07-075

Joint Width		Movement ±			
		Horizontal		Vertical	
US	mm	US	mm	US	mm
3"	76	1-1/2"	38	3/4"	19

FINISH: CLEAR ANODIZED

JOINTMASTER
EXPANSION JOINT SYSTEMS
A DIVISION OF INPRO®

DATE: 4-11-05

SCALE: 1:2

DOC: CADJM.017/Rev3

APPLICATION-
GLIDE PLATE
WALL/WALL, CEILING/CEILING CONDITION

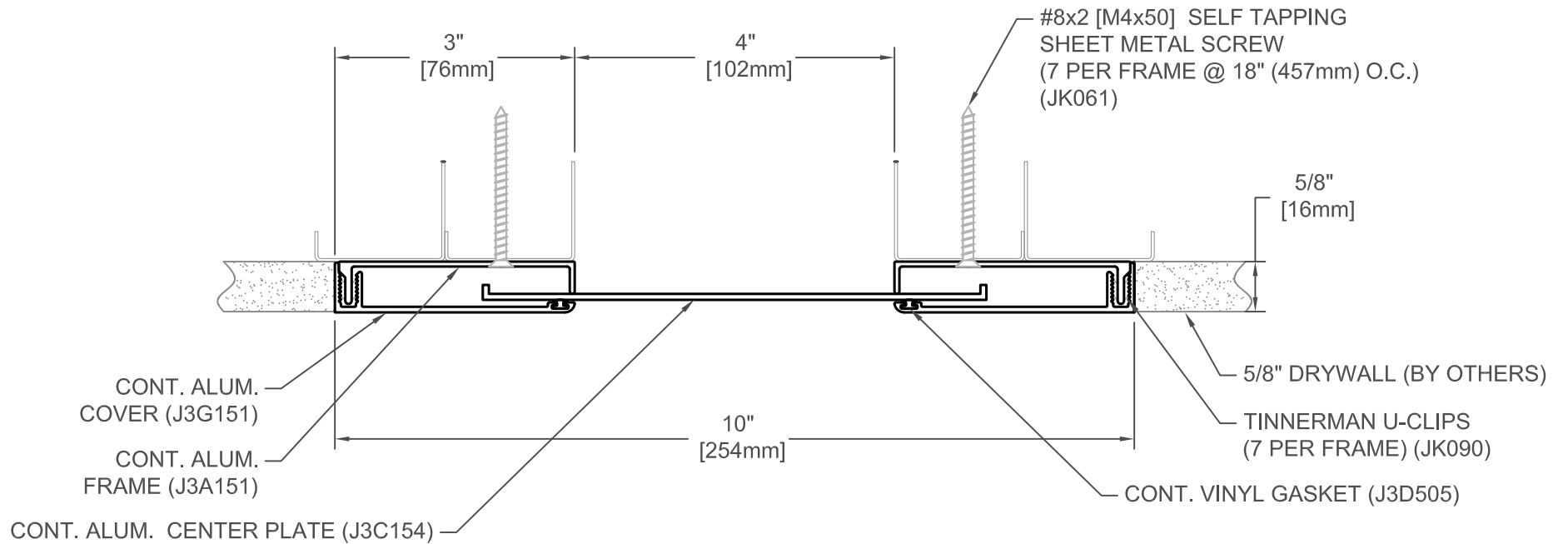
PROJECT:

CUSTOMER:

LOCATION:

inpro®

For More Information Visit: Inprocorp.com



300-A07-100

Joint Width		Movement ±			
		Horizontal		Vertical	
US	mm	US	mm	US	mm
4"	102	2"	51	1"	25

FINISH: CLEAR ANODIZED

• JOINTMASTER®
EXPANSION JOINT SYSTEMS
A DIVISION OF INPRO®

DATE: 4-11-05

SCALE: 1:2

DOC: CADJM.017/Rev3

APPLICATION-
GLIDE PLATE
WALL/WALL, CEILING/CEILING CONDITION

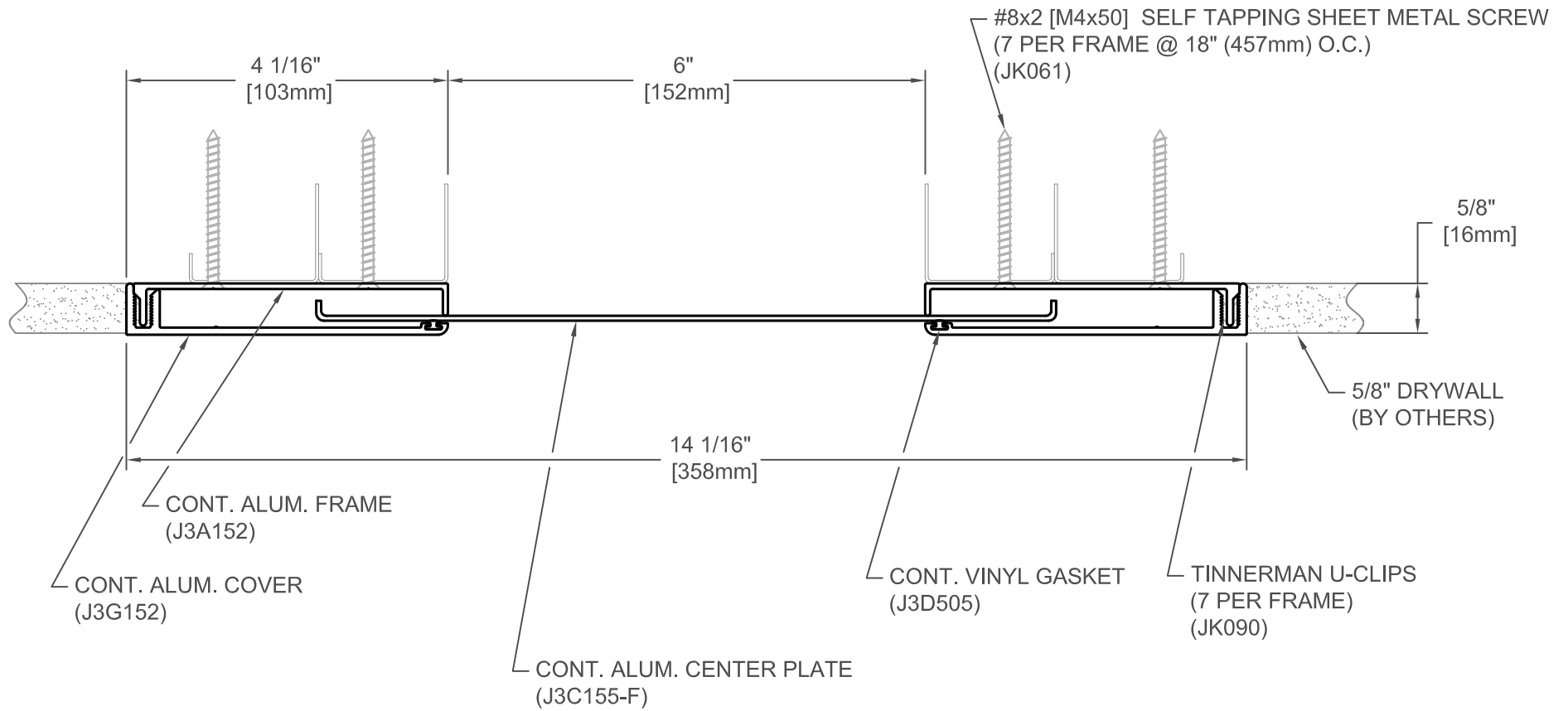
PROJECT:

CUSTOMER:

LOCATION:

inpro.

For More Information Visit: Inprocorp.com



300-A07-150

Joint Width		Movement ±			
		Horizontal		Vertical	
US	mm	US	mm	US	mm
6"	152	3"	76	1-1/2"	38

FINISH: CLEAR ANODIZED

JOINTMASTER
EXPANSION JOINT SYSTEMS
A DIVISION OF INPRO

DATE: 4-11-05

SCALE: 1:2

DOC: CADJM.017/Rev3

APPLICATION-
GLIDE PLATE
WALL/WALL, CEILING/CEILING CONDITION

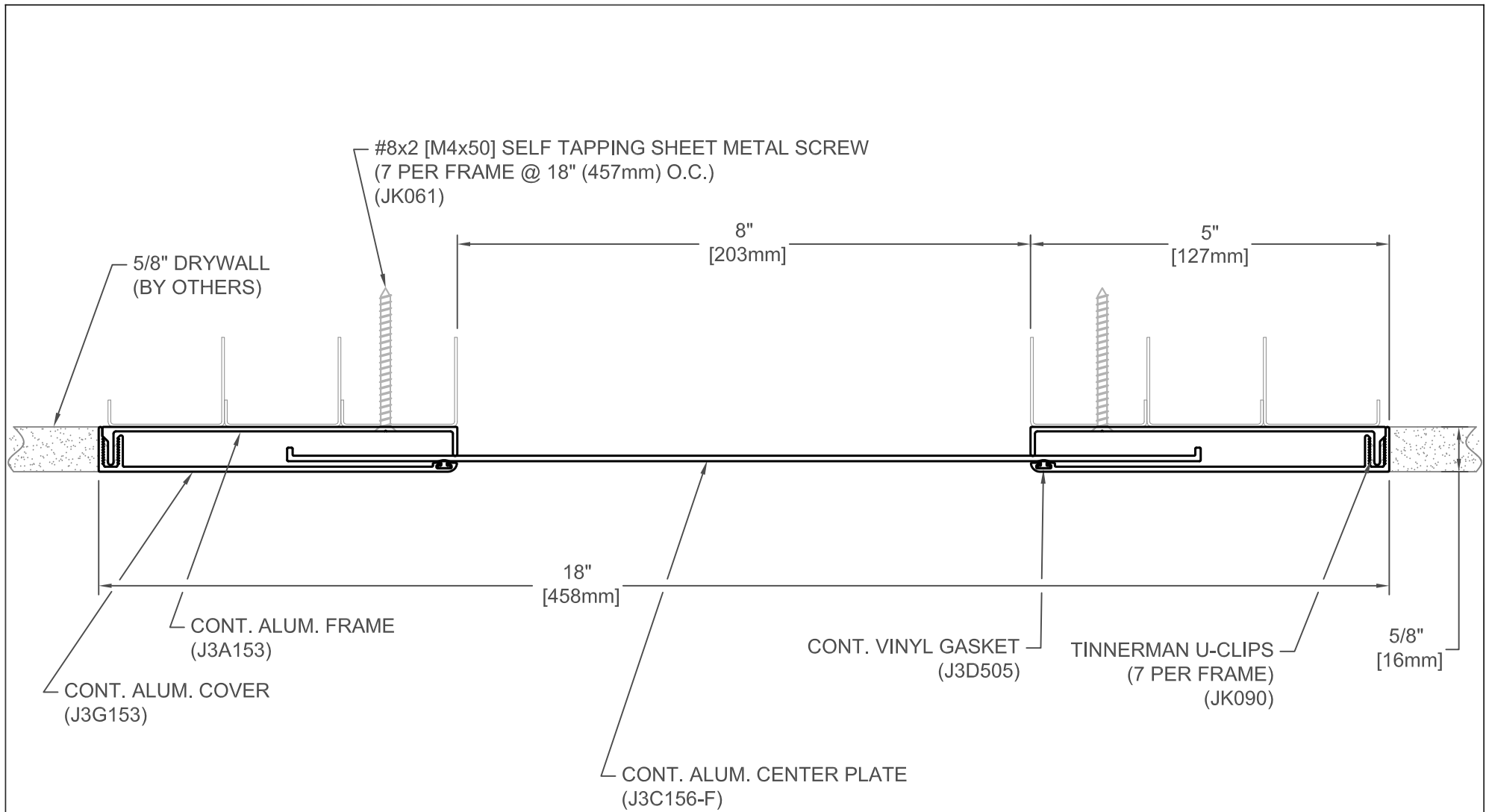
PROJECT:

CUSTOMER:

LOCATION:

inpro

For More Information Visit: Inprocorp.com



300-A07-200

Joint Width		Movement ±			
		Horizontal		Vertical	
US	mm	US	mm	US	mm
8"	203	4"	102	2"	51

FINISH: CLEAR ANODIZED

• JOINTMASTER®
EXPANSION JOINT SYSTEMS
A DIVISION OF INPRO®

DATE: 4-11-05

SCALE: 1:2

DOC: CADJM.017/Rev3

APPLICATION-
GLIDE PLATE
WALL/WALL, CEILING/CEILING CONDITION

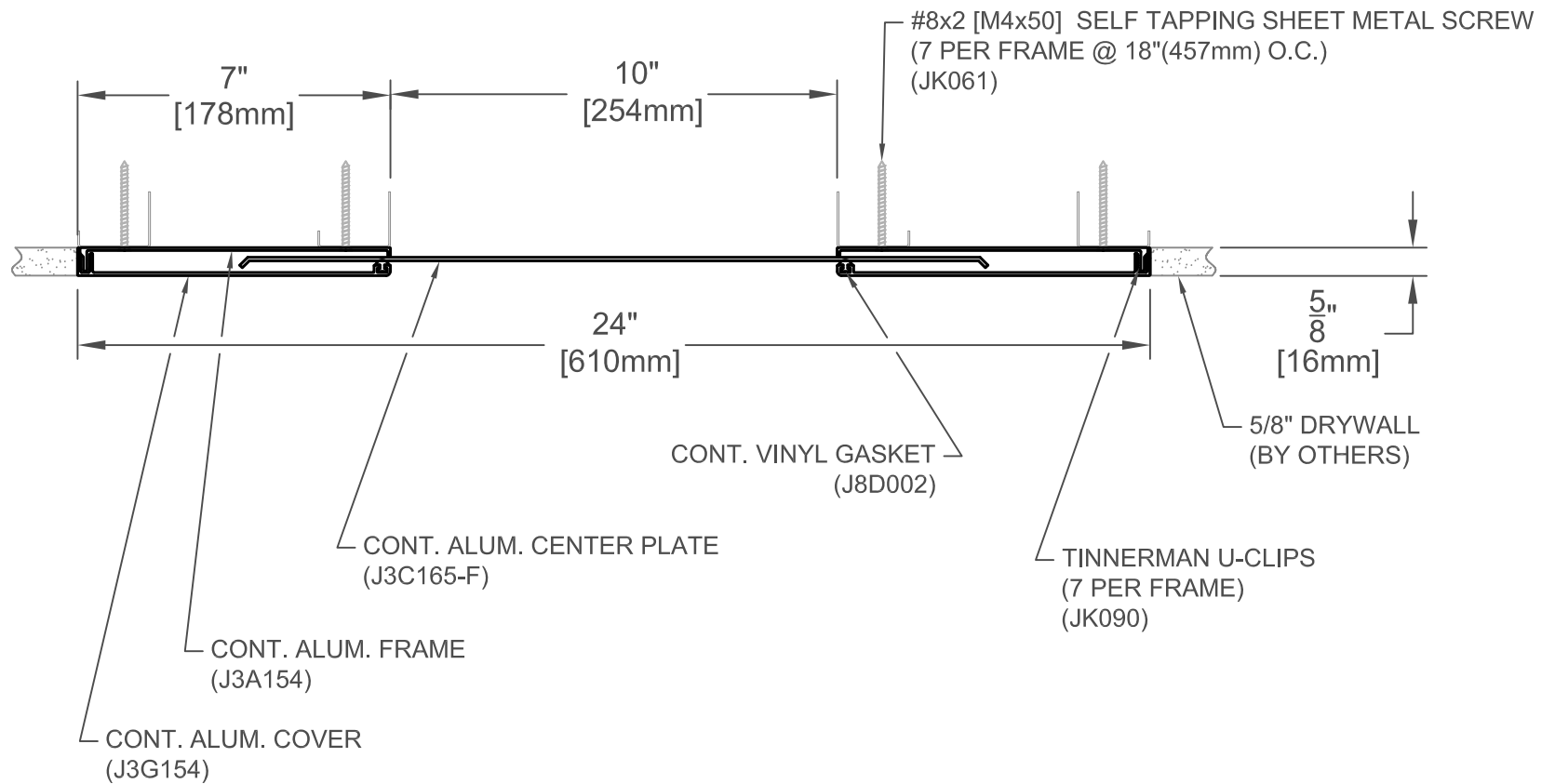
PROJECT:

CUSTOMER:

LOCATION:

inpro.

For More Information Visit: Inprocorp.com



300-A07-250

Joint Width		Movement ±			
		Horizontal		Vertical	
US	mm	US	mm	US	mm
10"	254	5"	127	2 1/2"	64

FINISH: CLEAR ANODIZED

JOINTMASTER
EXPANSION JOINT SYSTEMS
A DIVISION OF INPRO®

DATE: 7-22-15

SCALE: 1:4

DOC: CADJM.017/Rev3

APPLICATION-
GLIDE PLATE
WALL/WALL, CEILING/CEILING
CONDITION

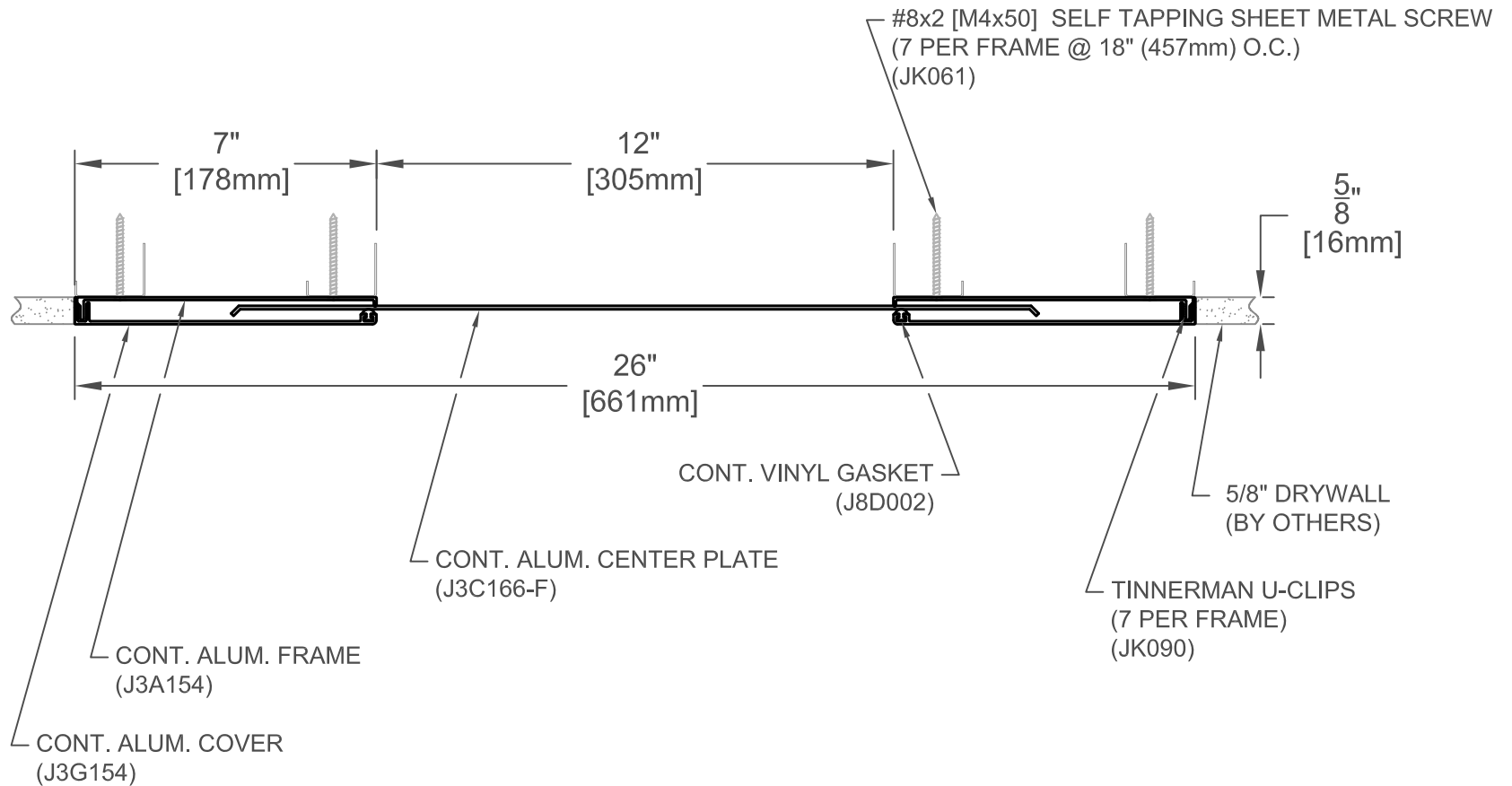
PROJECT:

CUSTOMER:

LOCATION:

inpro

For More Information Visit: Inprocorp.com



300-A07-300

Joint Width		Movement ±			
		Horizontal		Vertical	
US	mm	US	mm	US	mm
12"	305	6"	152	3"	76

FINISH: CLEAR ANODIZED

JOINTMASTER
EXPANSION JOINT SYSTEMS
A DIVISION OF INPRO

DATE: 7-22-15

SCALE: 1:4

DOC: CADJM.017/Rev3

APPLICATION-
GLIDE PLATE
WALL/WALL, CEILING/CEILING
CONDITION

PROJECT:

CUSTOMER:

LOCATION:

inpro

For More Information Visit: Inprocorp.com