

Installation Instructions

Joint System: 401- A02

Note: Verify that the structural gap dimensions are in conformance with submittal data before beginning installation.
If this is a Fire Rated Assembly, the fire barrier must be installed before the Architectural Joint System. Refer to the fire barrier instructions for specific system installation.

Fig. 1

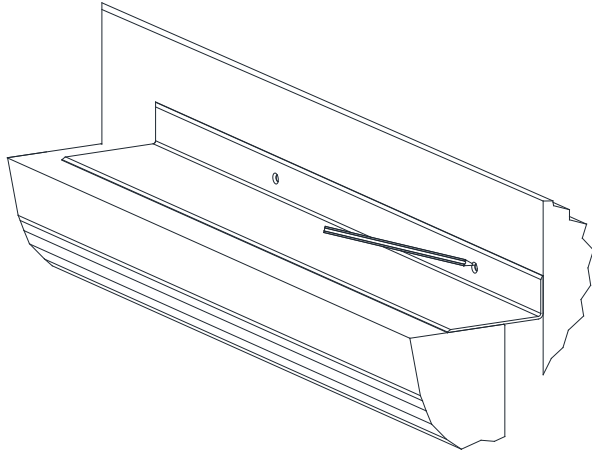


Figure 1.

1. Install the architectural joint system on a level surface.
2. Cut the cover plate to the desired length.
3. Place the cover plate against the wall and floor.
4. Mark the holes on the wall substrate and remove the cover plate.
5. Drill holes using a 1/4" (6mm) concrete drill to a depth of 2-1/2" (64mm).

Fig. 2

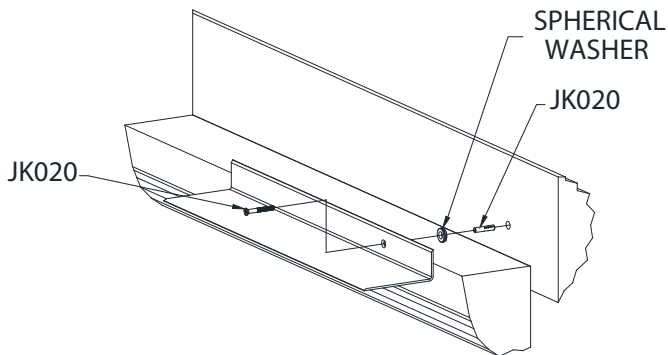


Figure 2.

6. Return the cover plate to the floor substrate. Put the (JK020) 1/4" (6mm) concrete anchor through the cover plate and spherical washer. Move the cover plate assembly and have the concrete anchors penetrate the holes in the wall, tighten the concrete anchor with the plate against the wall.

Fig. 3

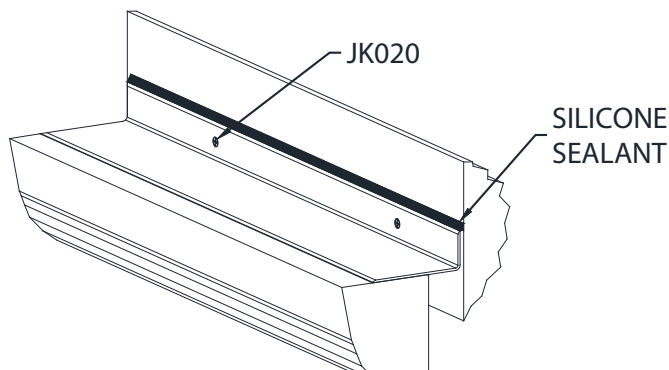


Figure 3.

7. Clean exposed surfaces with a non-solvent cleaner such as 409, as required.
8. Put a bead of silicone sealant between the cover plate and wall.

IPC.850/REV.1