

### 401-A02-050

JOINT WIDTH		MOVEMENT ±			
		HORIZONTAL		VERTICAL	
US	mm	US	mm	US	mm
2"	51	1"	25	1/2"	13

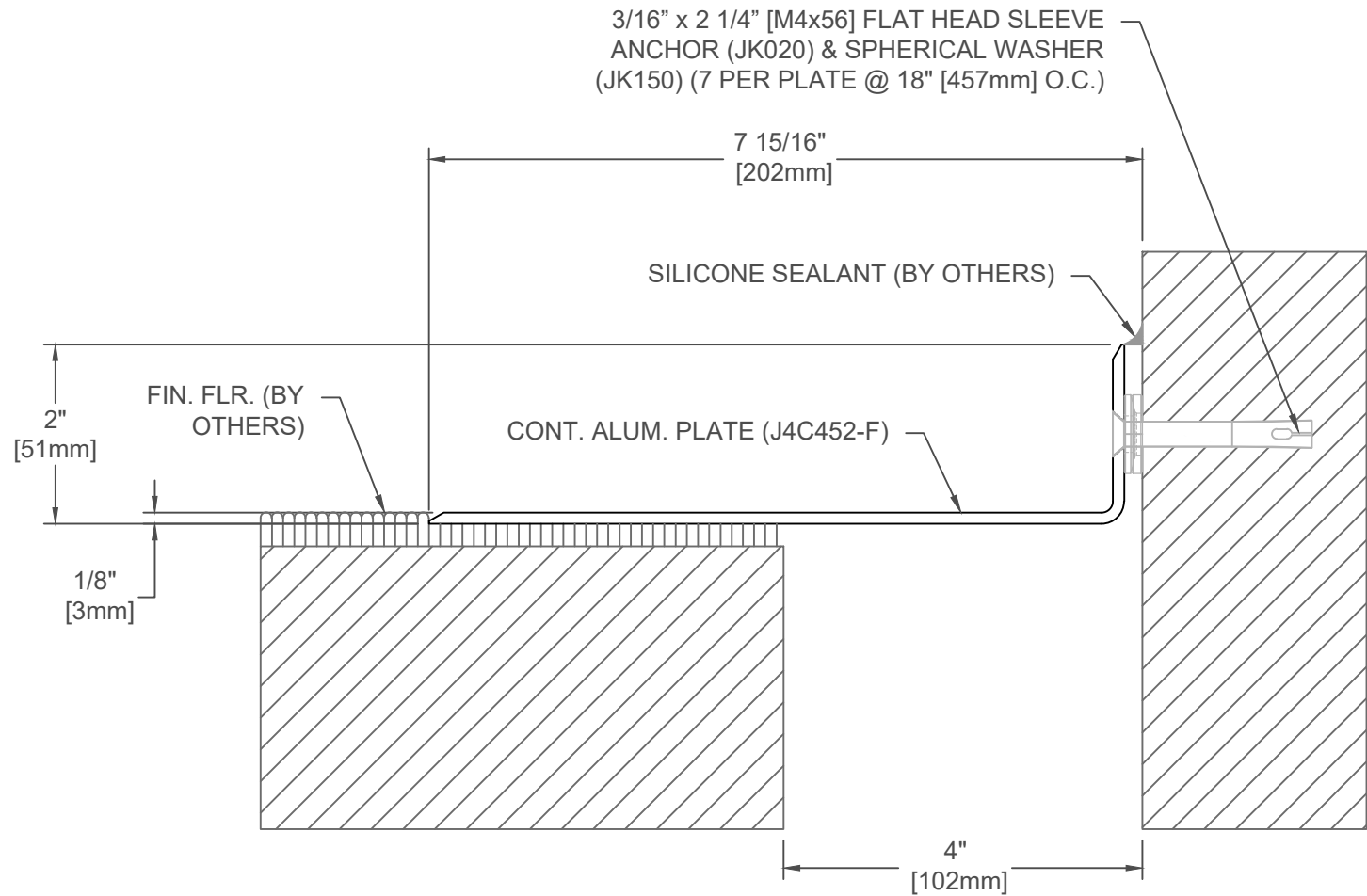
FINISH: MILL
PROJECT:
CUSTOMER:
LOCATION:

APPLICATION-  
FLOOR/WALL CONDITION

DATE:	3-21-12
SCALE:	1:2
DOC:	CADJM.044/R2

**inpro.**

For More Information Visit: [Inprocorp.com](http://Inprocorp.com)



3/16" x 2 1/4" [M4x56] FLAT HEAD SLEEVE ANCHOR (JK020) & SPHERICAL WASHER (JK150) (7 PER PLATE @ 18" [457mm] O.C.)

7 15/16"  
[202mm]

SILICONE SEALANT (BY OTHERS)

2"  
[51mm]  
FIN. FLR. (BY OTHERS)

CONT. ALUM. PLATE (J4C452-F)

1/8"  
[3mm]

4"  
[102mm]

### 401-A02-100

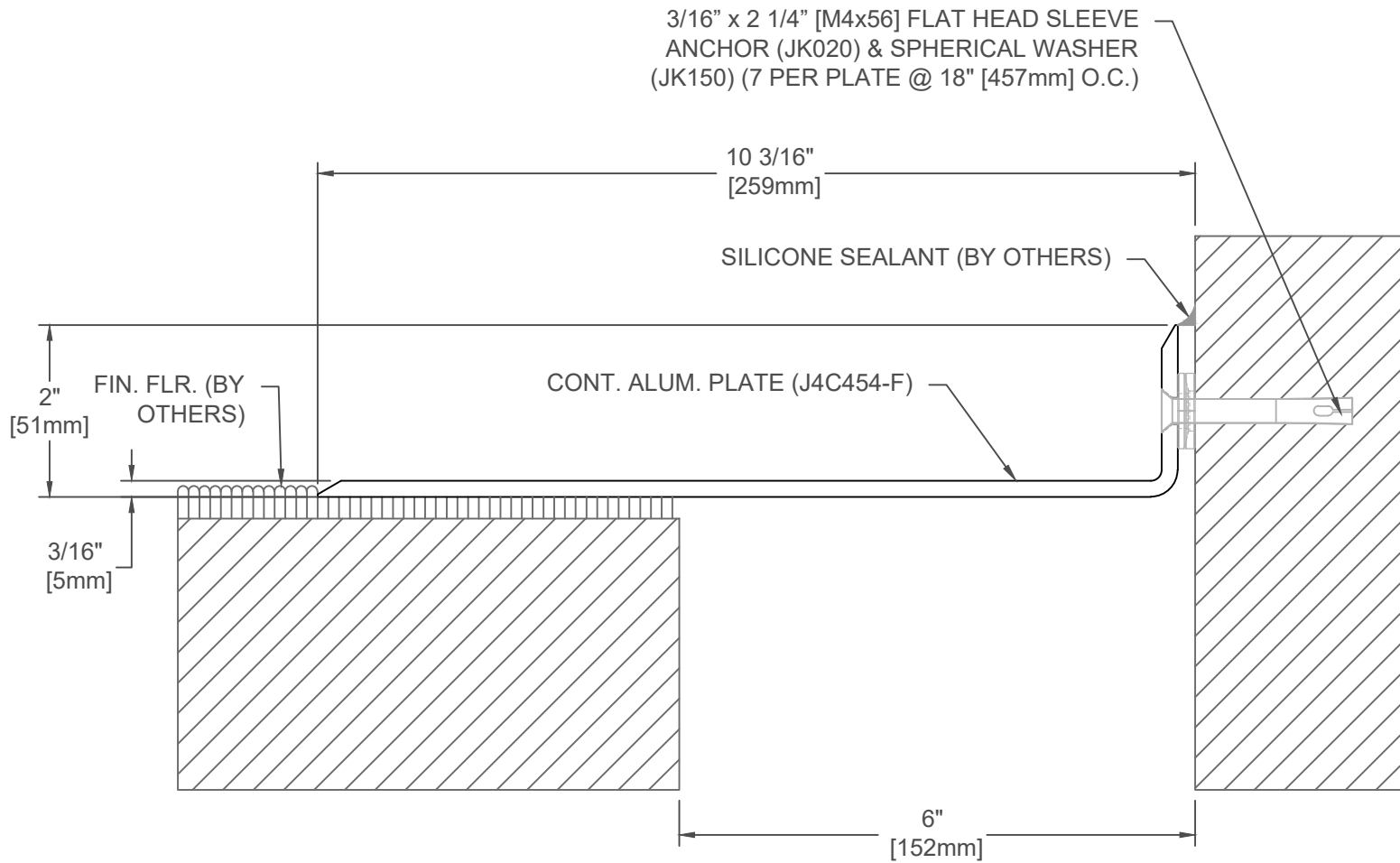
JOINT WIDTH		MOVEMENT ±			
		HORIZONTAL		VERTICAL	
US	mm	US	mm	US	mm
4"	102	2"	51	1"	25

FINISH: MILL
PROJECT:
CUSTOMER:
LOCATION:

APPLICATION-  
FLOOR/WALL CONDITION

DATE:	3-21-12
SCALE:	1:2
DOC:	CADJM.044/R2





### 401-A02-150

JOINT WIDTH		MOVEMENT ±			
		HORIZONTAL		VERTICAL	
US	mm	US	mm	US	mm
6"	152	3"	76	1 1/2"	38

FINISH: MILL
PROJECT:
CUSTOMER:
LOCATION:

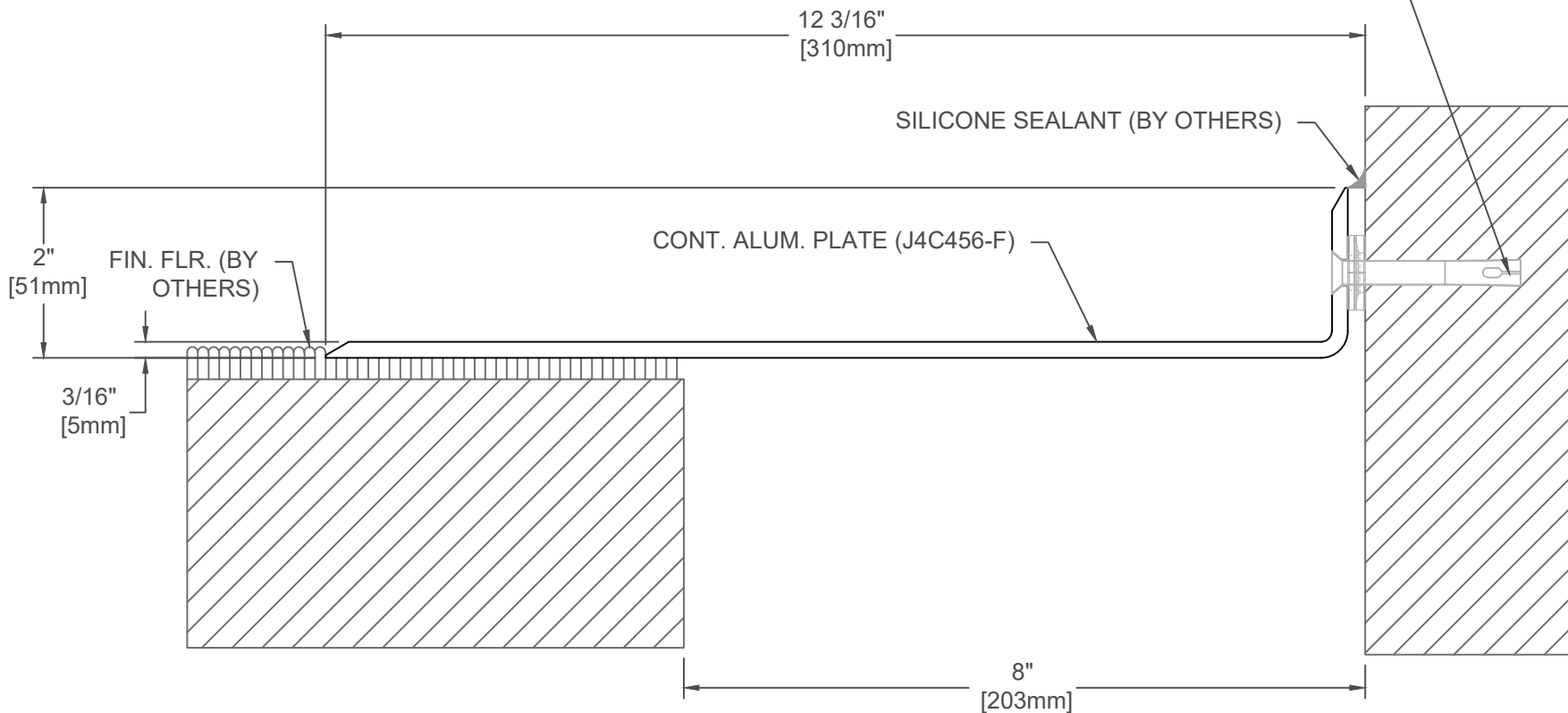
APPLICATION-  
FLOOR/WALL CONDITION

DATE:	3-21-12
SCALE:	1:2
DOC:	CADJM.044/R2

**inpro.**

For More Information Visit: [Inprocorp.com](http://Inprocorp.com)

3/16" x 2 1/4" [M4x56] FLAT HEAD SLEEVE ANCHOR (JK020) & SPHERICAL WASHER (JK150) (7 PER PLATE @ 18" [457mm] O.C.)



### 401-A02-200

JOINT WIDTH		MOVEMENT ±			
		HORIZONTAL		VERTICAL	
US	mm	US	mm	US	mm
8"	203	4"	102	2"	51

FINISH: MILL
PROJECT:
CUSTOMER:
LOCATION:

APPLICATION-  
FLOOR/WALL CONDITION

DATE:	3-21-12
SCALE:	1:2
DOC:	CADJM.044/R2



For More Information Visit: [Inprocorp.com](http://Inprocorp.com)