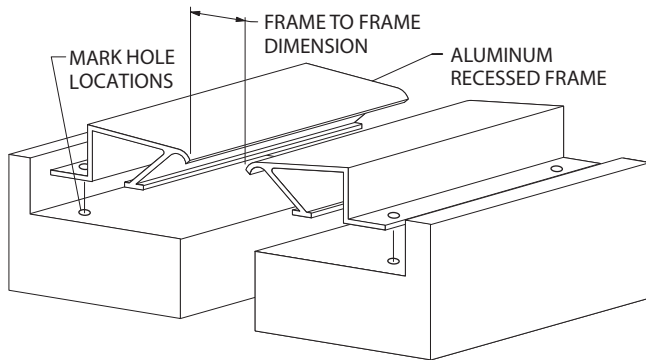


# Installation Instructions

Joint System: 430-A01

**Note: Verify that the structural gap and blockout dimensions are in conformance with submittal data before beginning installation. If this is a Fire Rated Assembly, the fire barrier must be installed before the Architectural Joint System. Refer to the fire barrier instructions for specific system installation.**

**Fig. 1**



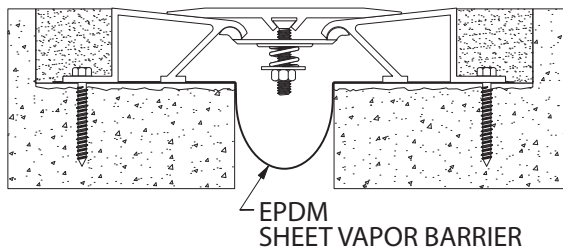
1. Install the architectural joint system on a level surface within the blockout. To determine blockout depth, deduct the thickness of the floor finish from the frame height. This may require adding leveling compound to raise the tops of the frames.

**Figure 1**

2. Cut the aluminum components to the desired length.
3. Place the frames in the blockout so that they are centered over the structural gap. The radius profile of the frames must be facing the structural gap.
4. To properly space frames, use the chart below to determine the distance between the opposing outside faces of the radius profiles on the frames:

Joint Width		Frame to Frame	
US	MM	US	MM
1"	25	1"	25
2"	50	1 1/2"	38
3"	75	2"	51
4"	100	2 1/2"	64
6"	150	3 1/2"	89
8"	200	5 1/8"	130

**Fig. 1a**



5. Mark the pre-drilled hole locations on the substrates and remove the frames from the blockout.
6. Drill all marked holes in the blockout using a 3/16" (5mm) concrete drill bit to 1 5/8" (42mm) depth.
  - 6a. Optional EPDM Vapor Barrier: Lay continuous bead of butyl rubber caulk in both sides of the blockout. Starting at one end of the frame assembly, place vapor barrier evenly in blockout allowing the excess material to drape into the structural gap. If necessary, vapor barrier may be fastened to substrate with masonry nails. Fold ends up or weep out (See Figure 1a).

IPC.843/REV.3

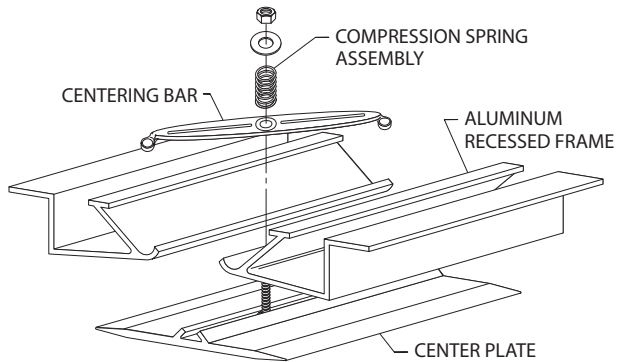
Installation Hotline • 866.EZINPRO  
 Inprocorp.com • 800.222.5556 • 262.679.9010  
 World Headquarters S80 W18766 Apollo Drive, Muskego, WI 53150 USA

**JOINTMASTER™**  
 EXPANSION JOINT SYSTEMS

# Installation Instructions

Joint System: 430-A01

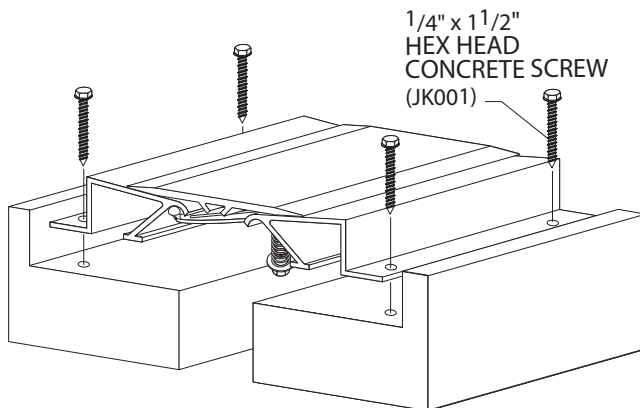
**Fig. 2**



**Figure 2**

7. Place the opposing aluminum frames upside down and spaced apart per the chart above, plus half the structural joint width (this is important to pretension the spring).
8. Slide the center plate beneath both frames. Face screw slot upwards.
9. Slide the heads of the flat head machine screws (from the spring pack) into the slot on the center plate. Space screws approximately every 18" on center starting 6" from each end.
10. Place one centering bar on each screw with the rounded domes facing the center plate. Place one compression spring over each screw followed by the washer and nut. The centering bar domes should fit into the frame channels and be aligned diagonally and parallel to each other. Hand tighten each nut so that the spring is compressed approximately 20%.

**Fig. 3**



**Figure 3**

11. Flip system upright and place in the blockout so that it is centered over the structural gap. Compress the aluminum frames together so that the pre-drilled frame holes are positioned over the drilled hole locations in the substrate.
12. Secure the frames in place with JK001 1/4" x 1 1/2" hex head concrete screws.

Installation Hotline • 866.EZINPRO

Inprocorp.com • 800.222.5556 • 262.679.9010

World Headquarters S80 W18766 Apollo Drive, Muskego, WI 53150 USA

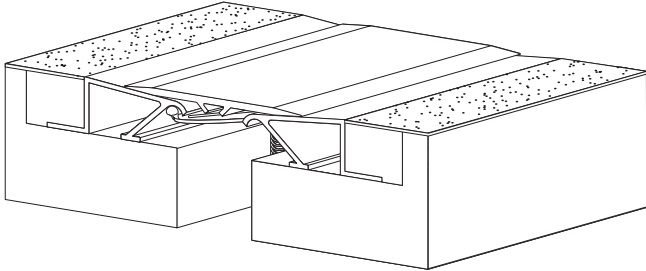
**JOINTMASTER™**  
EXPANSION JOINT SYSTEMS

# Installation Instructions

Joint System: 430-A01

---

**Fig. 4**



**Figure 4**

13. Backfill the blockout with high strength non-shrink epoxy grout (installer furnished). Install the floor finish level to the top of the frames. Optional: Carpet or sheet vinyl may be installed over the frame and under the center plate to reduce the sight line. (See Figure 4a). Lift up the edge of the plate to install either finish. Clean the exposed surfaces with a non-solvent cleaner, such as 409, as required.

**Fig. 4a** (Reduced sightline option)

