

430-A01-025

JOINT WIDTH		MOVEMENT ±			
		HORIZONTAL		VERTICAL	
US	mm	US	mm	US	mm
1"	25	1/2"	13	1/4"	6

NOTE: TO DETERMINE BLOCKOUT DEPTH, DEDUCT THICKNESS OF THE FIN. FLR. FROM FRAME HEIGHT

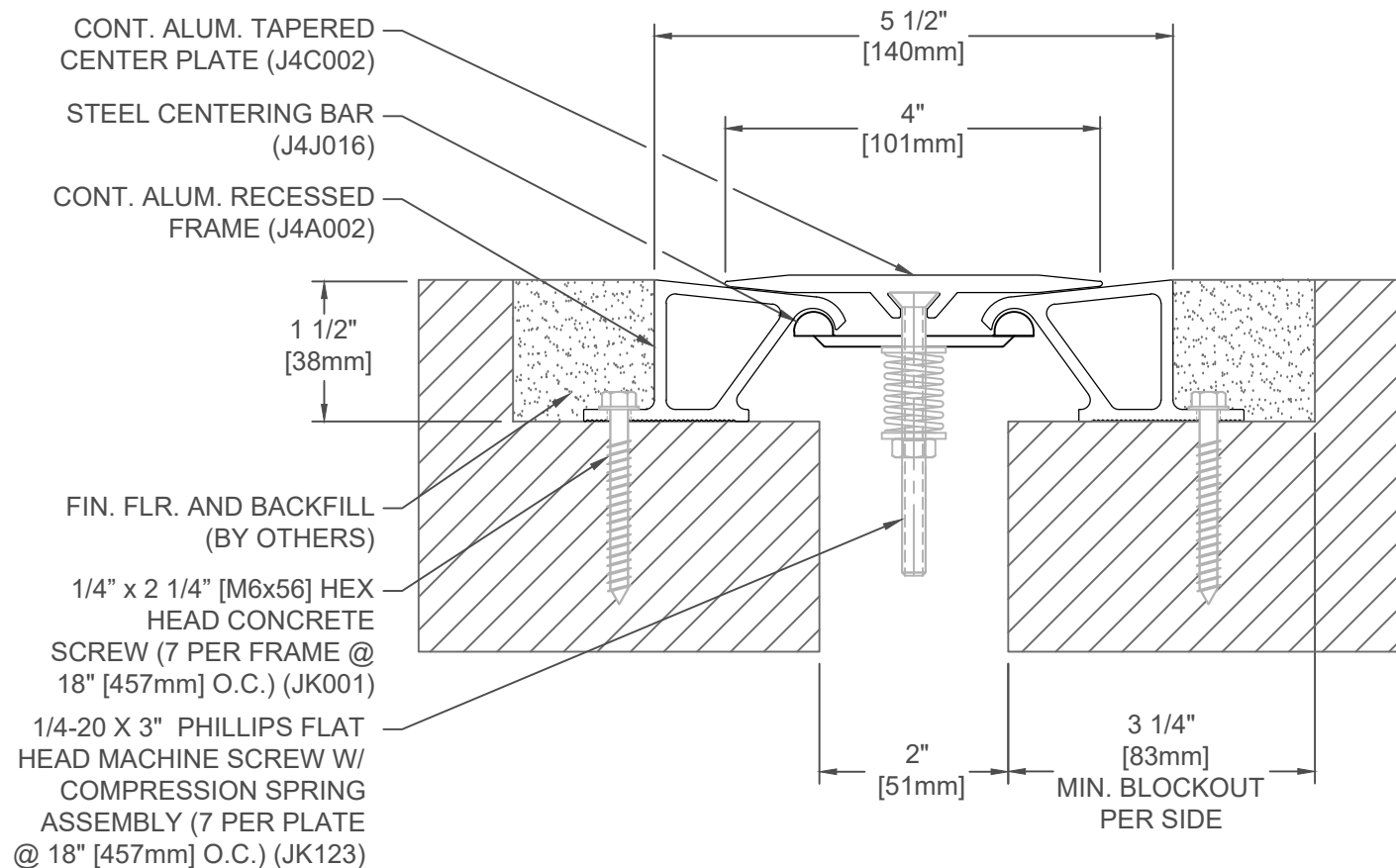
FINISH: MILL
PROJECT:
CUSTOMER:
LOCATION:

APPLICATION-
RECESSED FLOOR/FLOOR CONDITION
WITH CENTER BAR

DATE:	11-19-14
SCALE:	1:2
DOC:	CADJM.024/R2

inpro.

For More Information Visit: Inprocorp.com



430-A01-050

JOINT WIDTH		MOVEMENT ±			
		HORIZONTAL		VERTICAL	
US	mm	US	mm	US	mm
2"	51	1"	25	1/2"	13

NOTE: TO DETERMINE BLOCKOUT DEPTH, DEDUCT THICKNESS OF THE FIN. FLR. FROM FRAME HEIGHT

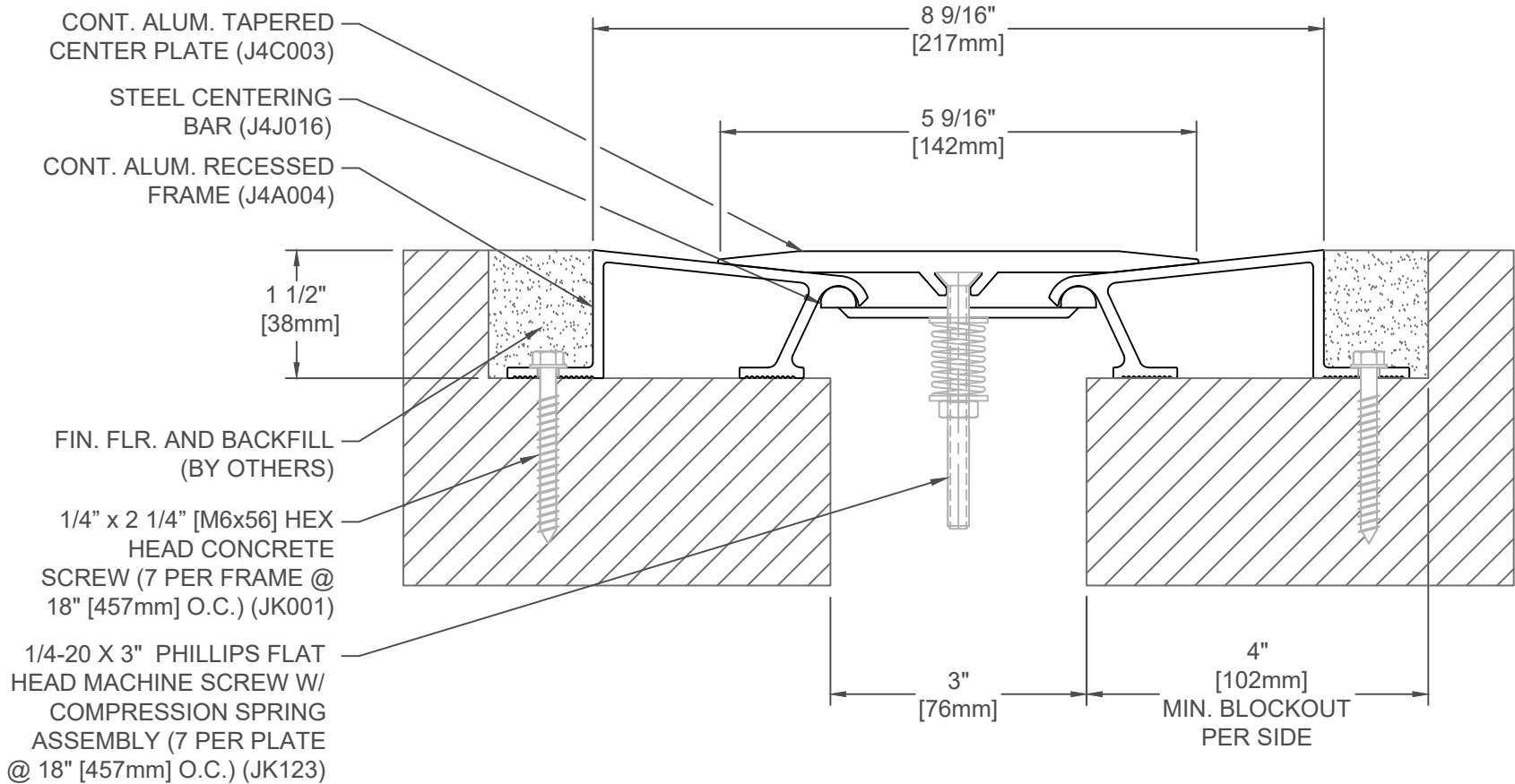
FINISH: MILL
PROJECT:
CUSTOMER:
LOCATION:

APPLICATION-
RECESSED FLOOR/FLOOR CONDITION
WITH CENTER BAR

DATE:	11-19-14
SCALE:	1:2
DOC:	CADJM.024/R2

inpro.

For More Information Visit: Inprocorp.com



- CONT. ALUM. TAPERED CENTER PLATE (J4C003)
- STEEL CENTERING BAR (J4J016)
- CONT. ALUM. RECESSED FRAME (J4A004)
- 1 1/2" [38mm]
- FIN. FLR. AND BACKFILL (BY OTHERS)
- 1/4" x 2 1/4" [M6x56] HEX HEAD CONCRETE SCREW (7 PER FRAME @ 18" [457mm] O.C.) (JK001)
- 1/4-20 X 3" PHILLIPS FLAT HEAD MACHINE SCREW W/ COMPRESSION SPRING ASSEMBLY (7 PER PLATE @ 18" [457mm] O.C.) (JK123)

8 9/16" [217mm]

5 9/16" [142mm]

3" [76mm]

4" [102mm] MIN. BLOCKOUT PER SIDE

430-A01-075

JOINT WIDTH		MOVEMENT ±			
		HORIZONTAL		VERTICAL	
US	mm	US	mm	US	mm
3"	76	1-1/2"	38	3/4"	19

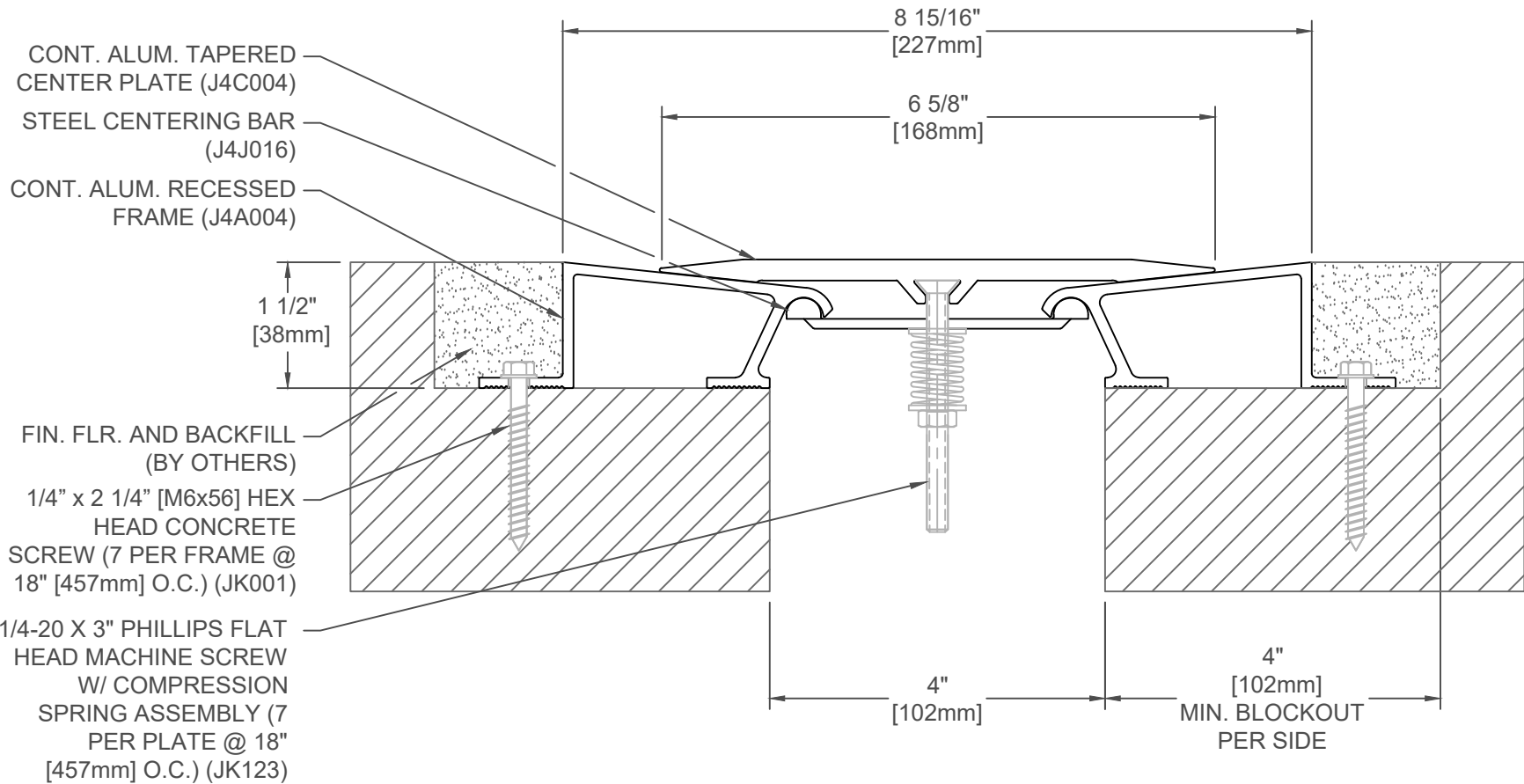
NOTE: TO DETERMINE BLOCKOUT DEPTH, DEDUCT THICKNESS OF THE FIN. FLR. FROM FRAME HEIGHT

FINISH: MILL
PROJECT:
CUSTOMER:
LOCATION:

APPLICATION-
RECESSED FLOOR/FLOOR CONDITION
WITH CENTER BAR

DATE:	11-19-14
SCALE:	1:2
DOC:	CADJM.024/R2

For More Information Visit: Inprocorp.com



430-A01-100

JOINT WIDTH		MOVEMENT ±			
		HORIZONTAL		VERTICAL	
US	mm	US	mm	US	mm
4"	102	2"	51	1"	25

NOTE: TO DETERMINE BLOCKOUT DEPTH, DEDUCT THICKNESS OF THE FIN. FLR. FROM FRAME HEIGHT

FINISH: MILL
PROJECT:
CUSTOMER:
LOCATION:

APPLICATION-
RECESSED FLOOR/FLOOR CONDITION
WITH CENTER BAR

DATE:	11-19-14
SCALE:	1:2
DOC:	CADJM.024/R2

inpro.

For More Information Visit: Inprocorp.com

CONT. ALUM. TAPERED
CENTER PLATE (J4C005)
CONT. ALUM. RECESSED
FRAME (J4A005)
FIN. FLR. AND BACKFILL
(BY OTHERS)

12 9/16"
[319mm]

9 3/4"
[248mm]

1 1/2"
[38mm]

1/4" x 2 1/4" [M6x56] HEX
HEAD CONCRETE SCREW
(7 PER FRAME @ 18"
[457mm] O.C.) (JK001)

STEEL CENTERING BAR
(J4J017)

1/4-20 X 3" PHILLIPS FLAT
HEAD MACHINE SCREW W/
COMPRESSION SPRING
ASSEMBLY (7 PER PLATE @
18" [457mm] O.C.) (JK123)

6"
[152mm]

5"
[127mm]
MIN. BLOCKOUT
PER SIDE

430-A01-150

JOINT WIDTH		MOVEMENT ±			
		HORIZONTAL		VERTICAL	
US	mm	US	mm	US	mm
6"	152	3"	76	1-1/2"	38

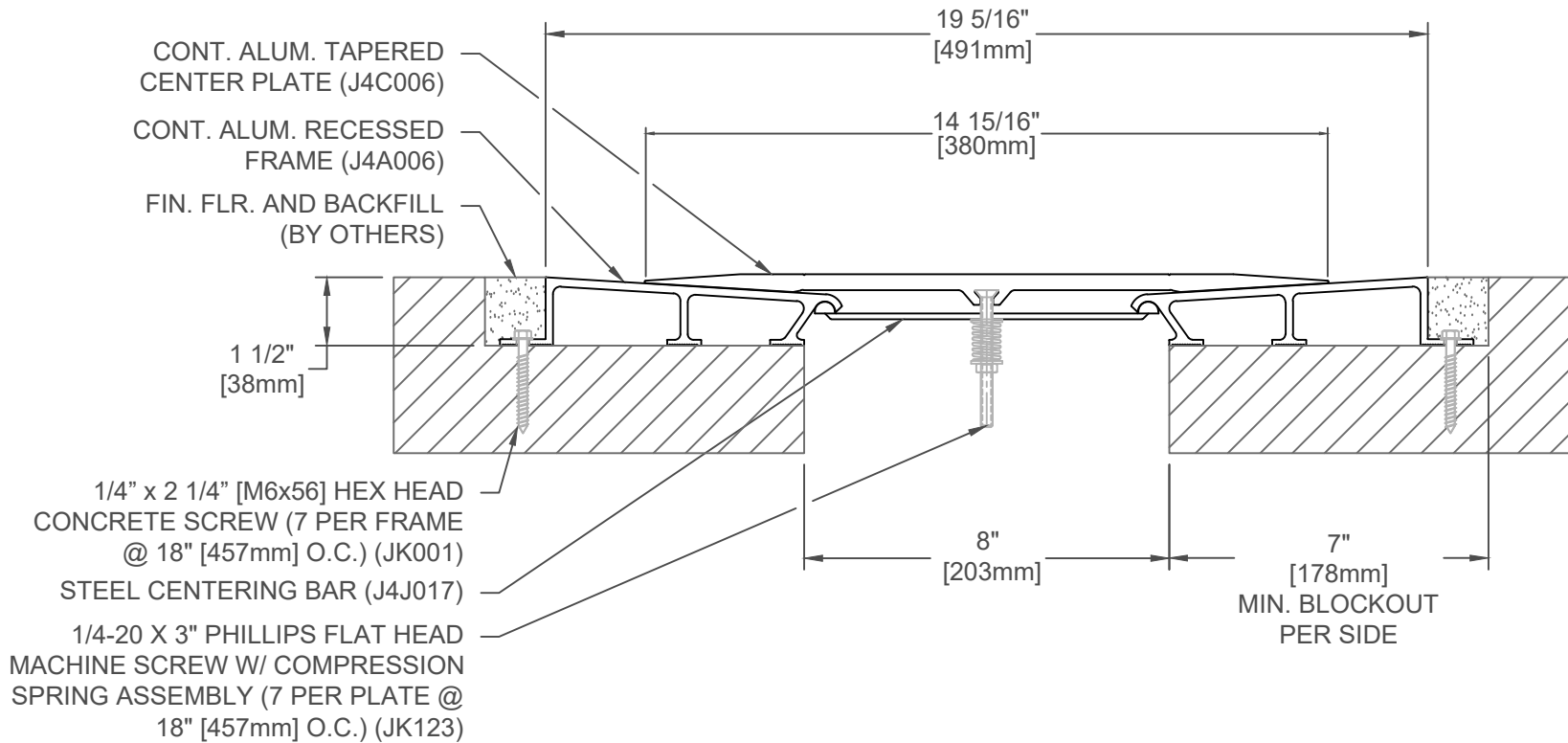
NOTE: TO DETERMINE BLOCKOUT
DEPTH, DEDUCT THICKNESS OF
THE FIN. FLR. FROM FRAME HEIGHT

FINISH: MILL
PROJECT:
CUSTOMER:
LOCATION:

APPLICATION-
RECESSED FLOOR/FLOOR CONDITION
WITH CENTER BAR

DATE:	11-19-14
SCALE:	1:2
DOC:	CADJM.024/R2





430-A01-200

JOINT WIDTH		MOVEMENT ±			
		HORIZONTAL		VERTICAL	
US	mm	US	mm	US	mm
8"	203	4"	102	2"	51

NOTE: TO DETERMINE BLOCKOUT DEPTH, DEDUCT THICKNESS OF THE FIN. FLR. FROM FRAME HEIGHT

FINISH: MILL
PROJECT:
CUSTOMER:
LOCATION:

APPLICATION-
RECESSED FLOOR/FLOOR CONDITION
WITH CENTER BAR

DATE:	5-13-15
SCALE:	1:4
DOC:	CADJM.024/R2

inpro.

For More Information Visit: Inprocorp.com