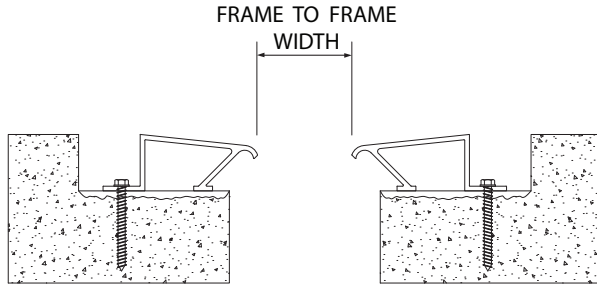


# Installation Instructions

Joint System: 432-A01

**Note:** Verify that the structural gap and blockout dimensions are in conformance with submittal data before beginning installation. If this is a Fire Rated Assembly, the fire barrier must be installed before the Architectural Joint System. Refer to the fire barrier instructions for specific system installation.

**Fig. 1**



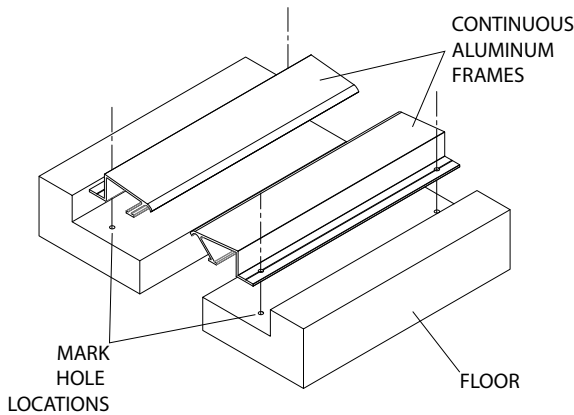
1. Install the architectural joint system on a level surface within the blockout. To determine blockout depth, deduct the thickness of the floor finish from the frame height. This may require adding leveling compound to raise the tops of the frames.

**Figure 1**

2. Cut the aluminum components to the desired length.
3. Place the frames in the blockout so that they are centered over the structural gap. The radius profile of the frames must be facing the structural gap.
4. To properly space frames, use the chart below to determine the distance between the opposing outside faces of the radius profiles on the frames:

Joint Width		Frame to Frame	
US	MM	US	MM
1"	25	1"	25
2"	50	1 1/2"	38
3"	75	2"	51
4"	100	2 1/2"	64
6"	150	3 1/2"	89
8"	200	5 1/8"	130

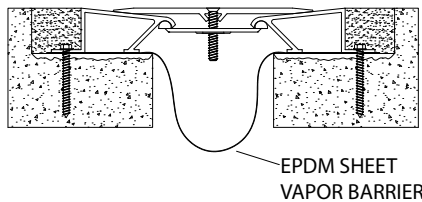
**Fig. 2**



**Figure 2**

5. Mark the pre-drilled hole locations on the substrates and remove the frames from the blockout.
6. Drill all marked holes in the blockout using a 3/16" (5mm) concrete drill bit to 1 5/8" (42mm) depth.

**Fig. 2a**



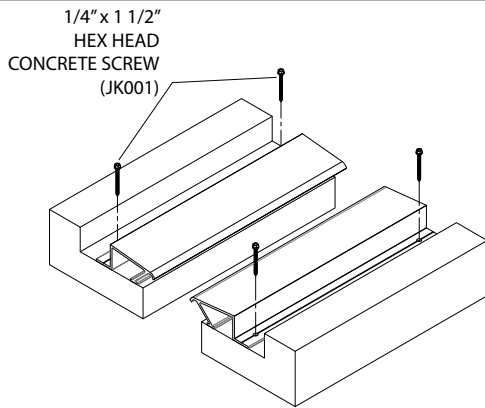
- 6a. Optional EPDM Vapor Barrier: Lay continuous bead of butyl rubber caulk in both sides of the blockout. Starting at one end of the frame assembly, place vapor barrier evenly in blockout allowing the excess material to drape into the structural gap. If necessary, vapor barrier may be fastened to substrate with masonry nails. Fold ends up or weep out (See Figure 2a).

IPC.620/REV.1

# Installation Instructions

Joint System: 432-A01

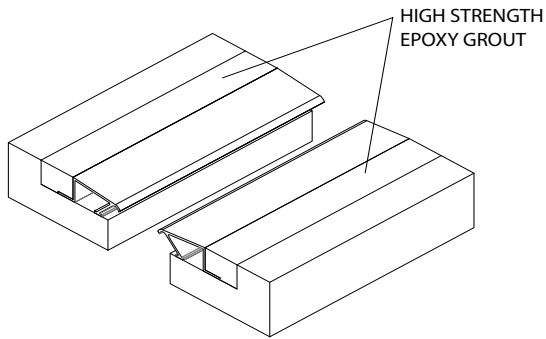
**Fig. 3**



**Figure 3**

7. Return the frames into position over the drilled hole locations and secure the frames in place with JK001 1/4" x 1 1/2" hex head concrete screws.

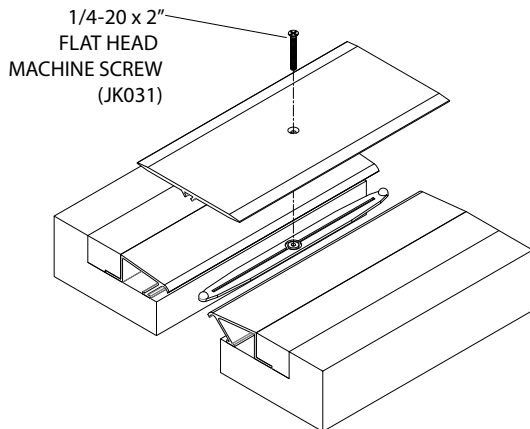
**Fig. 4**



**Figure 4**

8. Blockout must be back filled in one stage with high strength epoxy grout material, keep level to concrete floor.  
DO NOT go above frame.

**Fig. 5**



**Figure 5**

9. Insert JK031 (1/4- 20 x 2") flat head machine screws into pre-drilled countersunk holes in the plate. Thread centering bars loosely onto each screw with rounded domes facing the center plate.

Installation Hotline • 866.EZINPRO

Inprocorp.com • 800.222.5556 • 262.679.9010

World Headquarters S80 W18766 Apollo Drive, Muskego, WI 53150 USA

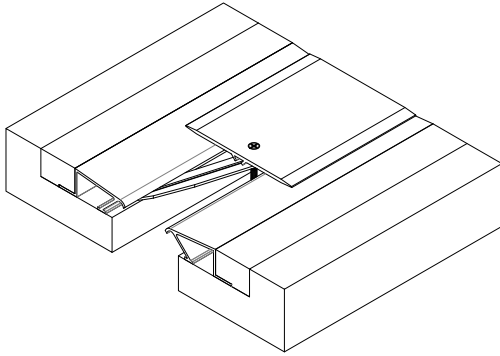
**JOINTMASTER™**  
EXPANSION JOINT SYSTEMS

# Installation Instructions

Joint System: 432-A01

---

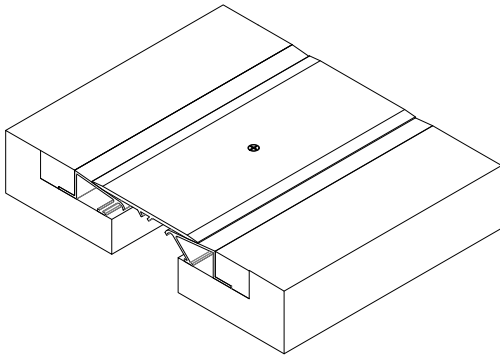
**Fig. 6**



**Figure 6**

10. Place the plate assembly onto the frames and center over the structural gap with all the centering bars running parallel along the joint. By hand slowly tighten each plate screw, which will rotate centering bar towards the frame channels. As the screw draws the centering bar towards the plate, the button on each end of the centering bar will engage inside the radius channel of the frame.

**Fig. 7**



**Figure 7**

11. Install floor finish level to the tops of the frames. Clean the exposed surface with a non-solvent cleaner such as 409 as required.

11a. Optional: Carpet or sheet vinyl may be installed over the frame and under the center plate to reduce the sight line. (See Figure 7a). Lift up the edge of the plate to install either finish.

**Fig. 7a**

