

## 432-A01-025

NOTE:  
TO DETERMINE BLOCKOUT DEPTH,  
DEDUCT THICKNESS OF THE FIN.  
FLR. FROM FRAME HEIGHT

JOINT WIDTH		MOVEMENT ±			
		HORIZONTAL		VERTICAL	
US	mm	US	mm	US	mm
1"	25	1/2"	13	1/4"	6

FINISH: MILL

PROJECT:

CUSTOMER:

LOCATION:

APPLICATION-  
RECESSED FLOOR/FLOOR CONDITION  
WITH CENTER BAR

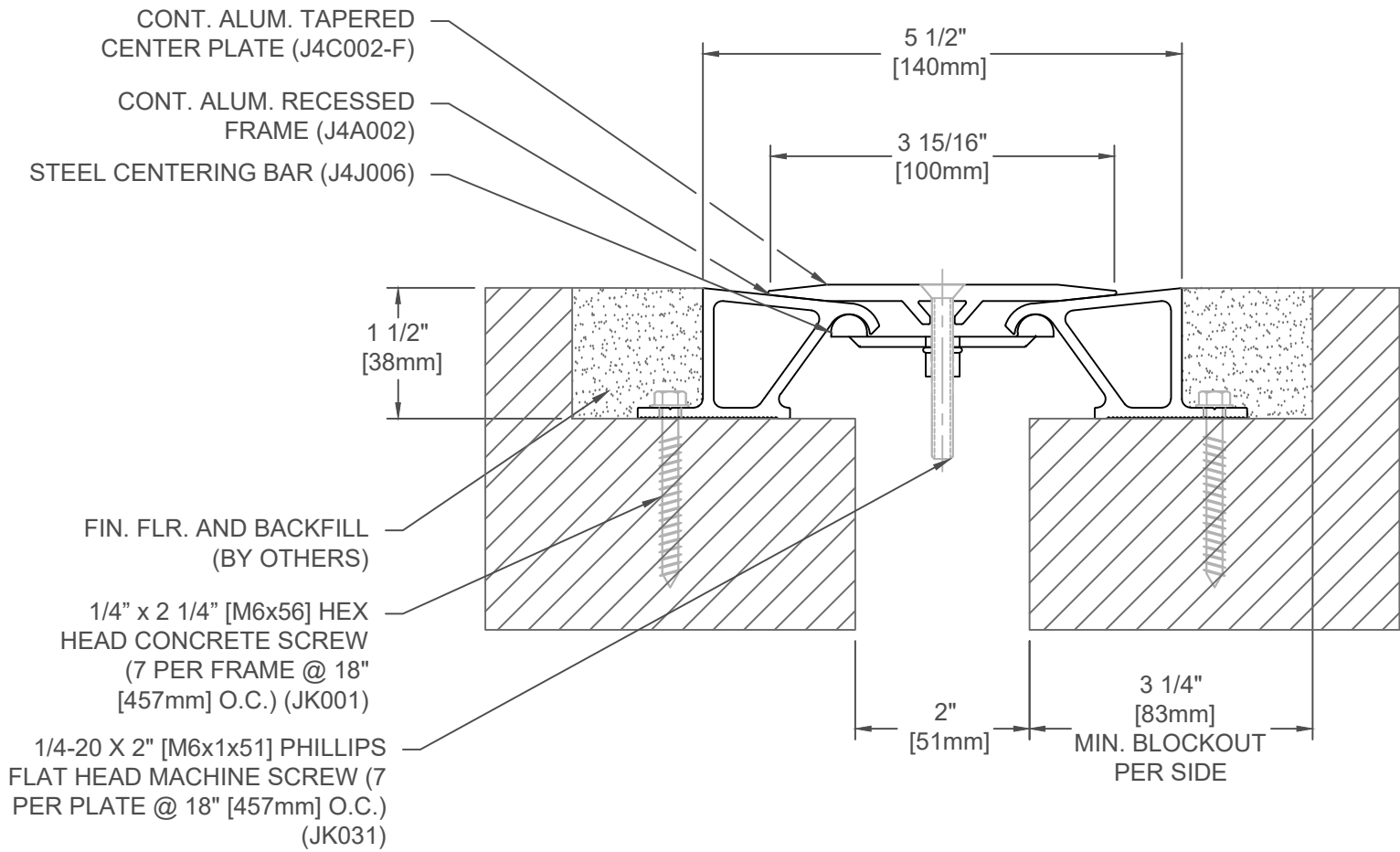
DATE: 11-19-14

SCALE: 1:2

DOC: CADJM.026/R2

**inpro.**

For More Information Visit: [Inprocorp.com](http://Inprocorp.com)



- CONT. ALUM. TAPERED CENTER PLATE (J4C002-F)
- CONT. ALUM. RECESSED FRAME (J4A002)
- STEEL CENTERING BAR (J4J006)
- FIN. FLR. AND BACKFILL (BY OTHERS)
- 1/4" x 2 1/4" [M6x56] HEX HEAD CONCRETE SCREW (7 PER FRAME @ 18" [457mm] O.C.) (JK001)
- 1/4-20 X 2" [M6x1x51] PHILLIPS FLAT HEAD MACHINE SCREW (7 PER PLATE @ 18" [457mm] O.C.) (JK031)

### 432-A01-050

NOTE:  
TO DETERMINE BLOCKOUT DEPTH,  
DEDUCT THICKNESS OF THE FIN.  
FLR. FROM FRAME HEIGHT

JOINT WIDTH		MOVEMENT ±			
		HORIZONTAL		VERTICAL	
US	mm	US	mm	US	mm
2"	51	1"	25	1/2"	13

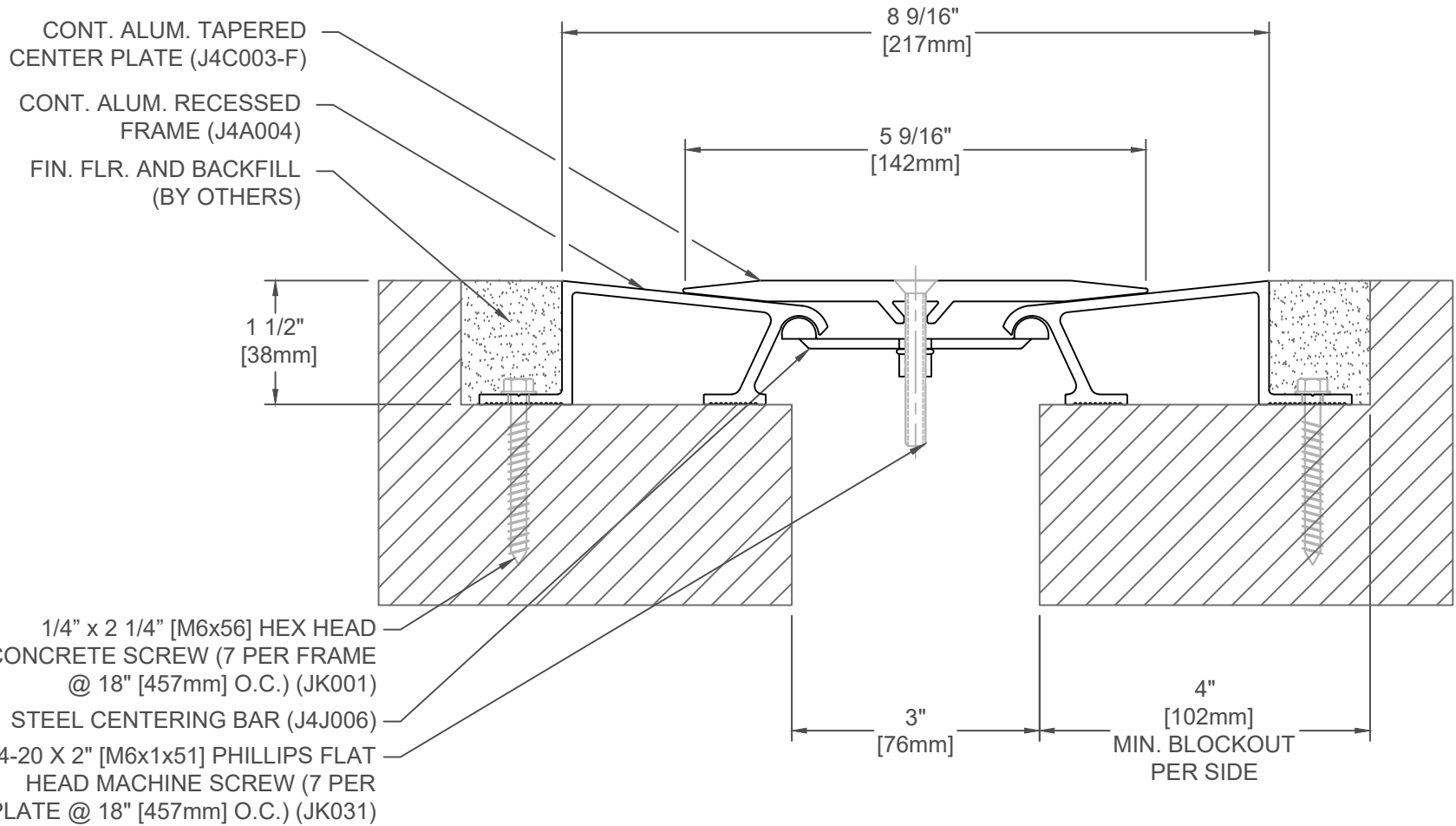
FINISH: MILL
PROJECT:
CUSTOMER:
LOCATION:

APPLICATION-  
RECESSED FLOOR/FLOOR CONDITION  
WITH CENTER BAR

DATE:	11-19-14
SCALE:	1:2
DOC:	CADJM.026/R2



For More Information Visit: [Inprocorp.com](http://Inprocorp.com)



### 432-A01-075

NOTE:  
TO DETERMINE BLOCKOUT DEPTH,  
DEDUCT THICKNESS OF THE FIN.  
FLR. FROM FRAME HEIGHT

JOINT WIDTH		MOVEMENT ±			
		HORIZONTAL		VERTICAL	
US	mm	US	mm	US	mm
3"	76	1-1/2"	38	3/4"	19

FINISH: MILL
PROJECT:
CUSTOMER:
LOCATION:

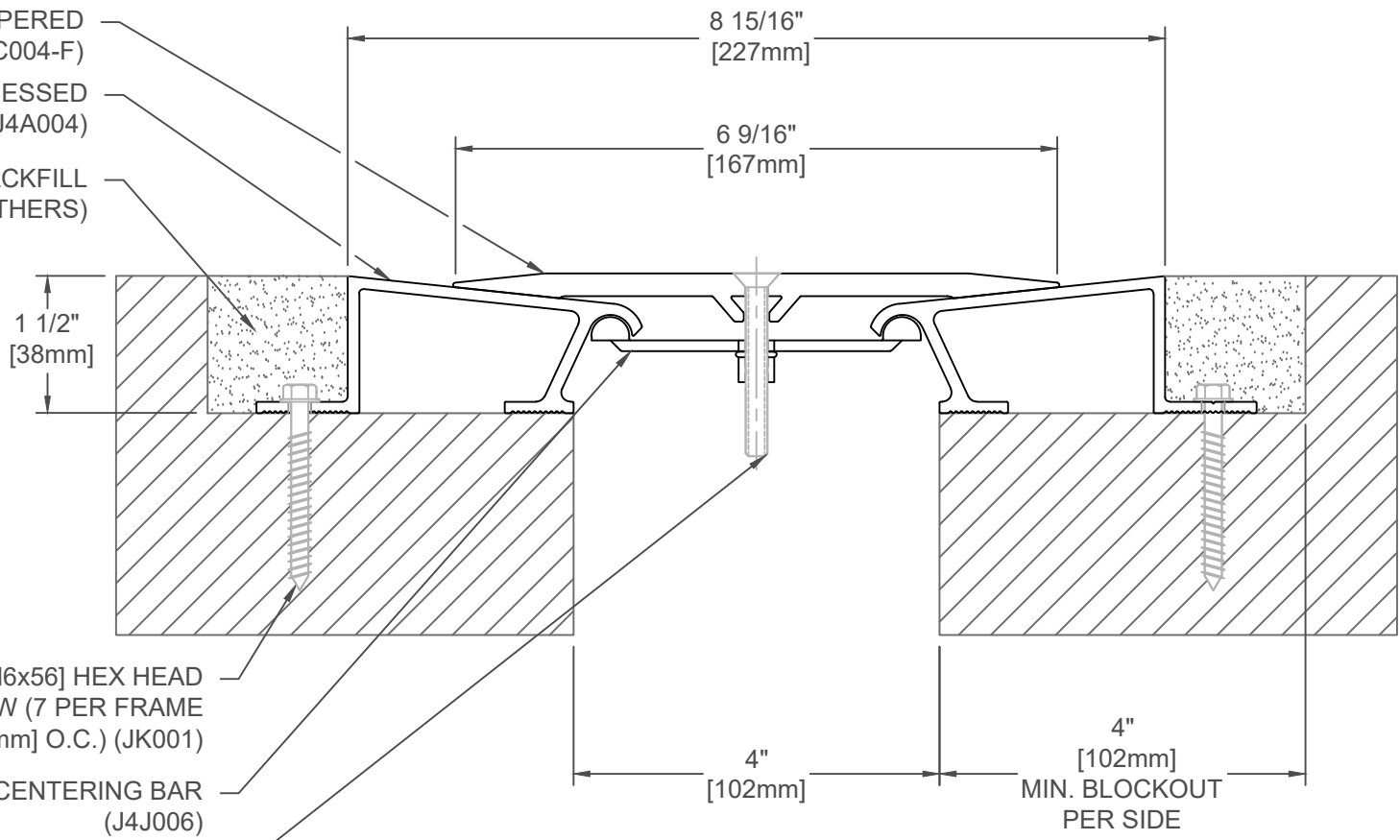
APPLICATION-  
RECESSED FLOOR/FLOOR CONDITION  
WITH CENTER BAR

DATE:	11-19-14
SCALE:	1:2
DOC:	CADJM.026/R2



For More Information Visit: [Inprocorp.com](http://Inprocorp.com)

CONT. ALUM. TAPERED  
CENTER PLATE (J4C004-F)  
CONT. ALUM. RECESSED  
FRAME (J4A004)  
FIN. FLR. AND BACKFILL  
(BY OTHERS)



1/4" x 2 1/4" [M6x56] HEX HEAD  
CONCRETE SCREW (7 PER FRAME  
@ 18" [457mm] O.C.) (JK001)  
STEEL CENTERING BAR  
(J4J006)  
1/4-20 X 2" [M6x1x51] PHILLIPS FLAT  
HEAD MACHINE SCREW (7 PER  
PLATE @ 18" [457mm] O.C.) (JK031)

### 432-A01-100

NOTE:  
TO DETERMINE BLOCKOUT DEPTH,  
DEDUCT THICKNESS OF THE FIN.  
FLR. FROM FRAME HEIGHT

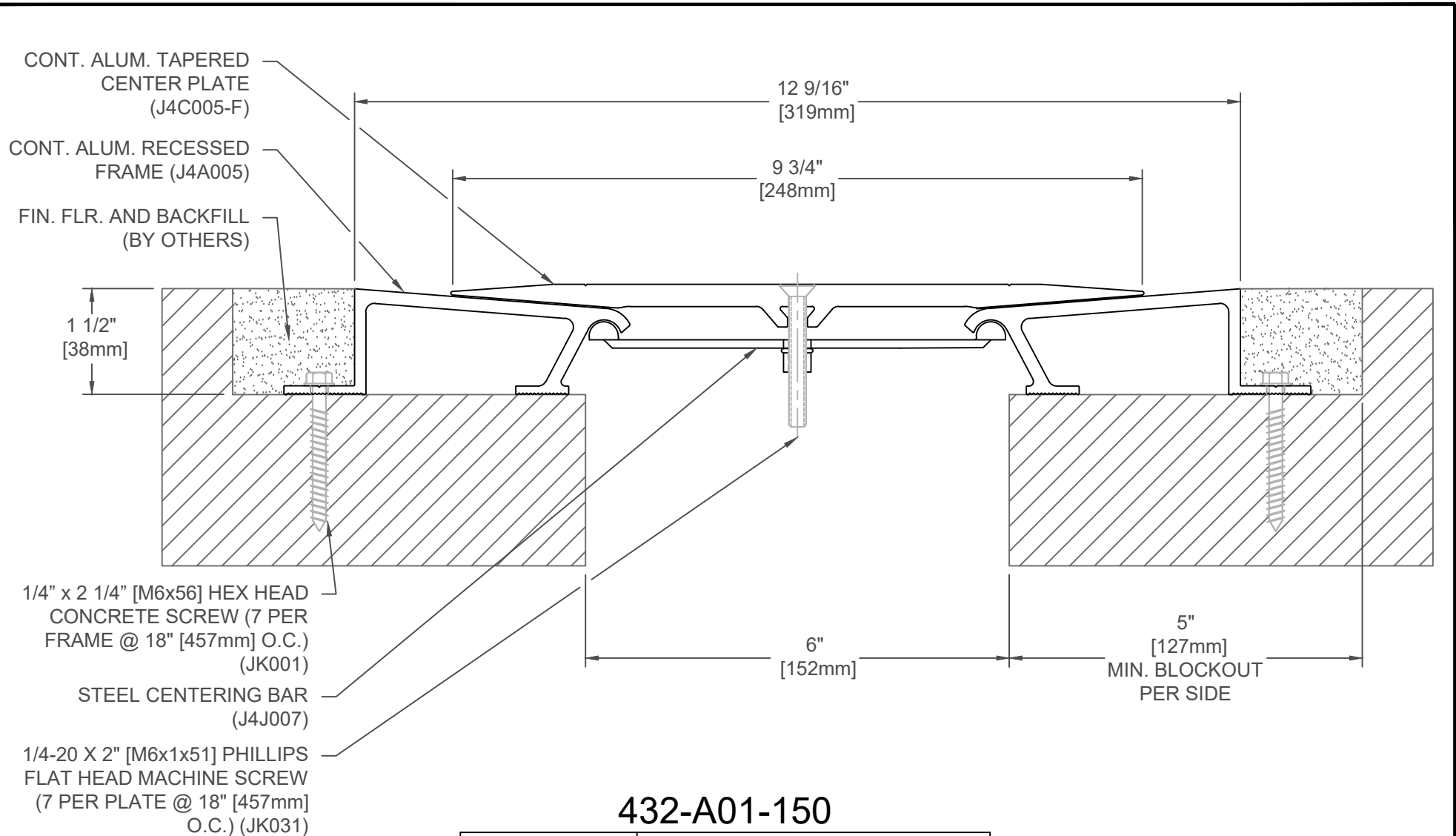
JOINT WIDTH		MOVEMENT ±			
		HORIZONTAL		VERTICAL	
US	mm	US	mm	US	mm
4"	102	2"	51	1"	25

FINISH: MILL
PROJECT:
CUSTOMER:
LOCATION:

APPLICATION-  
RECESSED FLOOR/FLOOR CONDITION  
WITH CENTER BAR

DATE:	11-19-14
SCALE:	1:2
DOC:	CADJM.026/R2





NOTE:  
TO DETERMINE BLOCKOUT DEPTH,  
DEDUCT THICKNESS OF THE FIN.  
FLR. FROM FRAME HEIGHT

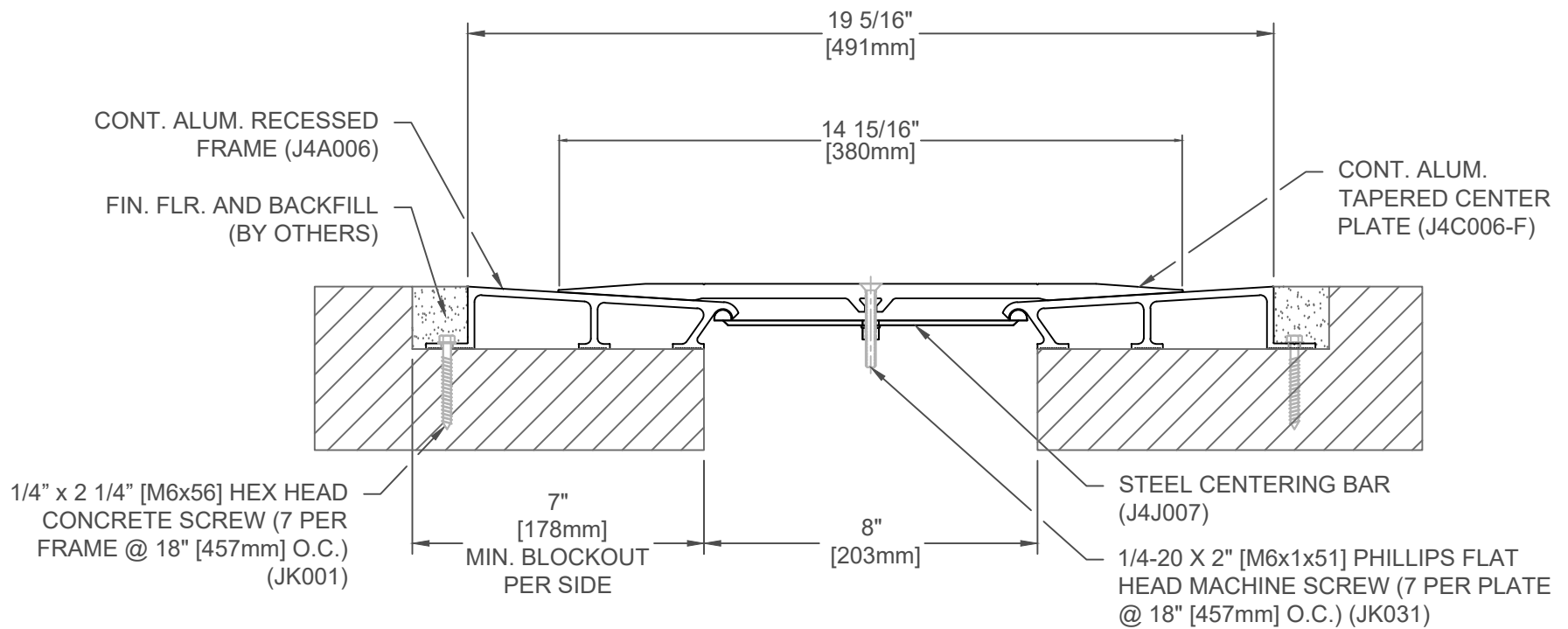
JOINT WIDTH		MOVEMENT ±			
		HORIZONTAL		VERTICAL	
US	mm	US	mm	US	mm
6"	152	3"	76	1-1/2"	38

FINISH: MILL
PROJECT:
CUSTOMER:
LOCATION:

APPLICATION-  
RECESSED FLOOR/FLOOR CONDITION  
WITH CENTER BAR

DATE:	8-3-15
SCALE:	1:2
DOC:	CADJM.026/R2

**inpro.**  
For More Information Visit: [Inprocorp.com](http://Inprocorp.com)



## 432-A01-200

NOTE:  
TO DETERMINE BLOCKOUT DEPTH,  
DEDUCT THICKNESS OF THE FIN. FLR.  
FROM FRAME HEIGHT

JOINT WIDTH		MOVEMENT ±			
		HORIZONTAL		VERTICAL	
US	mm	US	mm	US	mm
8"	203	4"	102	2"	51

FINISH: MILL

PROJECT:

CUSTOMER:

LOCATION:

APPLICATION-  
RECESSED FLOOR/FLOOR CONDITION  
WITH CENTER BAR

DATE: 5-13-15

SCALE: 1:4

DOC: CADJM.026/R2

**inpro.**

For More Information Visit: [Inprocorp.com](http://Inprocorp.com)