

STEEL CENTERING BAR
(7 PER PLATE @ 18"
[457mm] O.C.) (J4J016)

CONT. ALUM. TAPERED
CENTER PLATE (J4C003)

CONT. ALUM. SURFACE
MOUNT FRAME (J4A012)

FIN. FLR. (BY OTHERS)

10 1/2"
[267mm]

1/4"
[6mm]

1/4" x 2 1/4" [M6x56] FLAT HEAD
CONCRETE SLEEVE ANCHOR (7
PER PLATE @ 18" [457mm] O.C.)
(JK020)

1/4-20 X 3" [M6x1x76] PHILLIPS
FLAT HEAD MACHINE SCREW
W/ COMPRESSION SPRING
ASSEMBLY (7 PER PLATE @
18" [457mm] O.C.) (JK123)

3"
[76mm]

471-A01-075

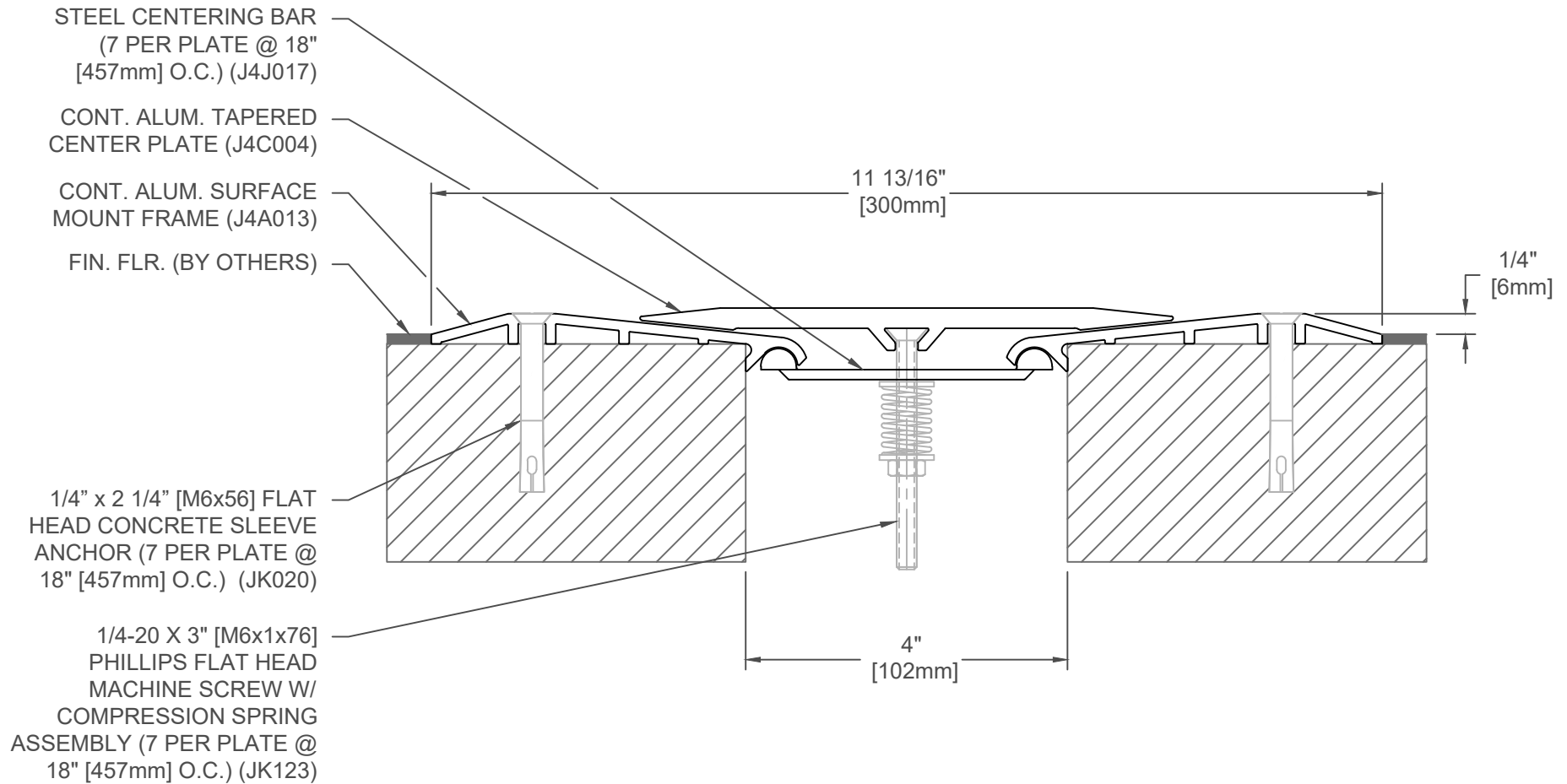
JOINT WIDTH		MOVEMENT ±			
		HORIZONTAL		VERTICAL	
US	mm	US	mm	US	mm
3"	76	1-1/2"	38	3/4"	19

FINISH: MILL
PROJECT:
CUSTOMER:
LOCATION:

APPLICATION
SURFACE MOUNT CENTERING BAR
SYSTEM
FLOOR/FLOOR

DATE:	9-20-05
SCALE:	1:2
DOC:	CADJM.030/R2

inpro.
For More Information Visit: Inprocorp.com



471-A01-100

JOINT WIDTH		MOVEMENT ±			
		HORIZONTAL		VERTICAL	
US	mm	US	mm	US	mm
4"	102	2"	51	1"	25

FINISH: MILL
PROJECT:
CUSTOMER:
LOCATION:

APPLICATION
SURFACE MOUNT CENTERING BAR
SYSTEM
FLOOR/FLOOR

DATE:	9-20-05
SCALE:	1:2
DOC:	CADJM.030/R2

inpro.

For More Information Visit: Inprocorp.com

STEEL CENTERING BAR (7 PER PLATE @ 18" [457mm] O.C.) (J4J017)

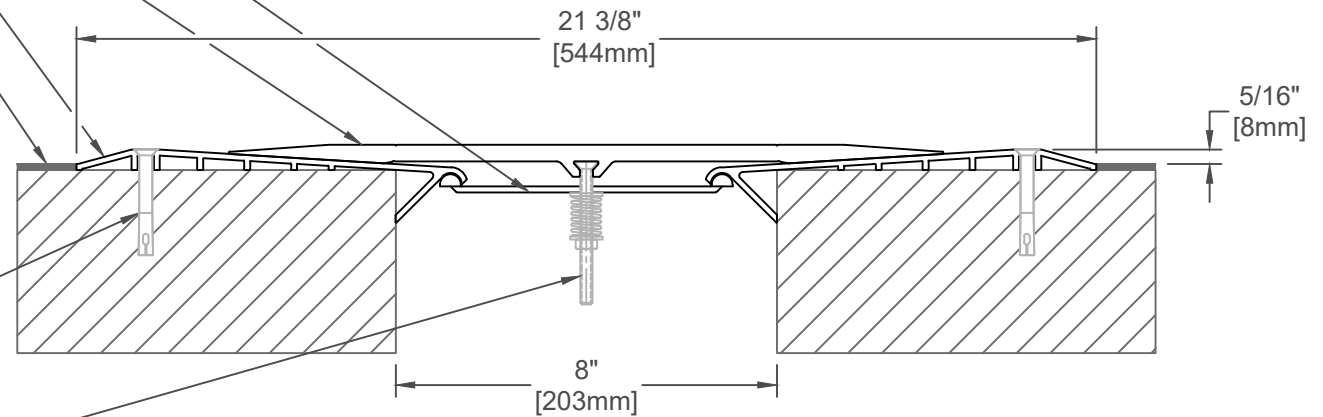
CONT. ALUM. TAPERED CENTER PLATE (J4C006)

CONT. ALUM. SURFACE MOUNT FRAME (J4A015)

FIN. FLR. (BY OTHERS)

1/4" x 2 1/4" [M6x56] FLAT HEAD CONCRETE SLEEVE ANCHOR (7 PER PLATE @ 18" [457mm] O.C.) (JK020)

1/4-20 X 3" [M6x1x76] PHILLIPS FLAT HEAD MACHINE SCREW W/ COMPRESSION SPRING ASSEMBLY (7 PER PLATE @ 18" [457mm] O.C.) (JK123)



471-A01-200

JOINT WIDTH		MOVEMENT ±			
		HORIZONTAL		VERTICAL	
US	mm	US	mm	US	mm
8"	203	4"	102	2"	51

FINISH: MILL
PROJECT:
CUSTOMER:
LOCATION:

APPLICATION
SURFACE MOUNT CENTERING BAR
SYSTEM
FLOOR/FLOOR

DATE:	9-20-05
SCALE:	1:4
DOC:	CADJM.030/R2

inpro.

For More Information Visit: Inprocorp.com