

Installation Instructions

Joint System: 481, 491-A07/A09

Note: Verify that the structural gap is in conformance with submittal data before beginning installation. If this is a Fire Rated Assembly, the fire barrier must be installed before the Architectural Joint System. Refer to the fire barrier instructions for specific system installation.

Fig. 1 (481-A07 Wall to Wall shown)

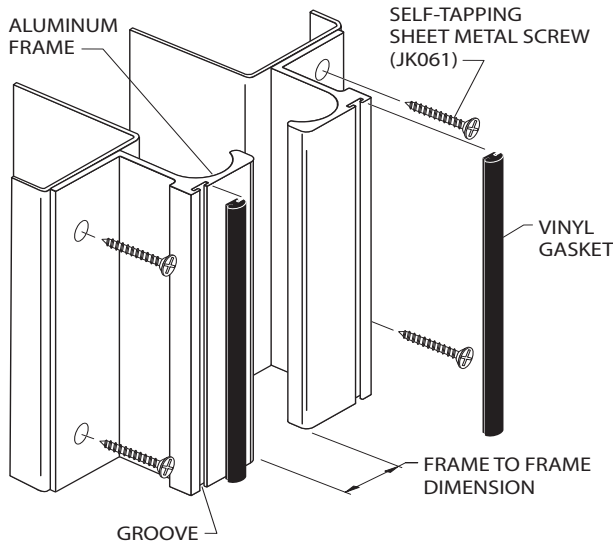
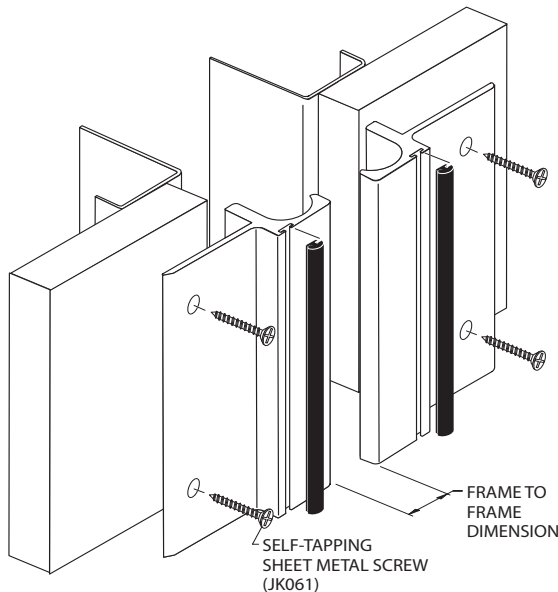


Fig. 1a (491-A07 Wall to Wall shown)



1. Install the architectural joint system on a level wall or ceiling surface. This may require shimming of the frames to align the tops of the aluminum frames.

Figures 1 and 1a

2. Cut the aluminum components to the desired length.
3. Place the aluminum frame(s) on top of the substrate with the radius profile of the frames facing the structural gap.
 - 3a. For A07 wall to wall system, center the aluminum frames over the structural gap.
 - 3b. For A09 wall to corner system, place the frame at the edge of the butt wall.
4. To properly space frames, use the chart below to determine the distance between the opposing outside faces of the frame. For 491 system, drywall may need to be held back from structural joint edge to accommodate frame spacing.

Joint Width		Frame to Frame	
US	MM	US	MM
WALL TO WALL - A07			
2"	50	1 1/4"	32
3"	75	2"	51
4"	100	3"	76
6"	150	5"	127
8"	200	7"	178
10"	250	9"	229
12"	300	11"	279
WALL TO CORNER - A09		Frame to Wall	
2"	50	1 1/2"	38
3"	75	2 1/2"	64
4"	100	3 1/2"	89
6"	150	5 1/2"	140
8"	200	7 1/2"	191
10"	250	9 1/2"	241
12"	300	11 1/2"	292

5. Align frames plumb. Secure to the substrate with JK061 self-tapping sheet metal screws spaced approximately 18" (457mm) on center starting 6" (152) from each end.
6. Slide the vinyl gasket into the groove on the aluminum frames starting from the top.

IPC.851/REV.3

Installation Hotline • 866.EZINPRO
 Inprocorp.com • 800.222.5556 • 262.679.9010
 World Headquarters S80 W18766 Apollo Drive, Muskego, WI 53150 USA

JOINTMASTER®
 EXPANSION JOINT SYSTEMS
 A DIVISION OF INPRO®

Installation Instructions

Joint System: 481, 491-A07/A09

Fig. 2

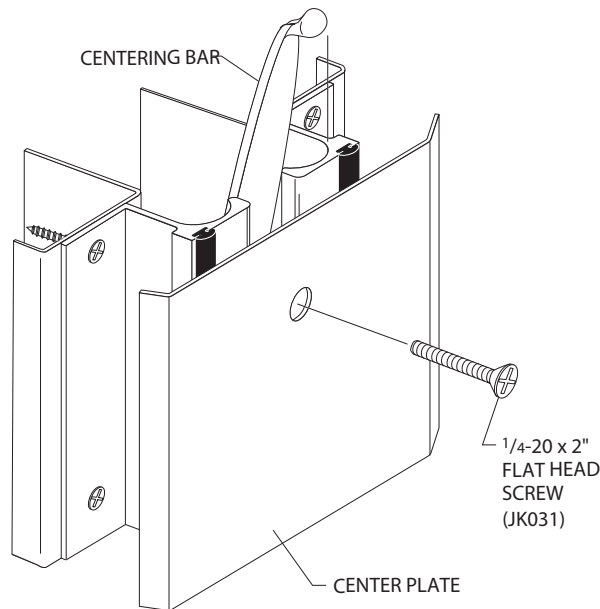


Figure 2

FOR A07 WALL TO WALL SYSTEMS:

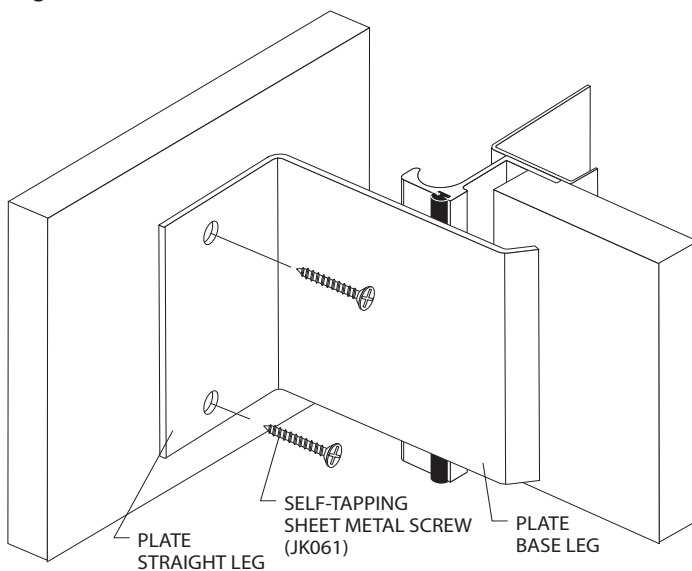
7. Insert one JK031 1/4-20 x 2" flat head screw through each counter-sunk hole in the aluminum plate. Thread loosely onto the centering bars.
8. Center the plate assembly over the structural gap, with all centering bars running vertically along the center of the plate. Tighten each plate screw, which will rotate the centering bar towards the frame channels. As the screw draws the centering bar towards the plate, the ball ends of the centering bar will engage inside the radius channel of the frame.

Figure 3

FOR A09-050 THRU 150 WALL TO CORNER SYSTEMS WITHOUT CENTERBARS: (see Figure 3)

9. Place the aluminum half plate over the structural gap with the 2" (51mm) straight leg (pre-drilled hole side) firmly against the finished wall. The horizontal base leg of the plate should rest firmly on the vinyl gasket of the aluminum frame. Align parallel to the wall.
10. Secure the half plate to the substrate using JK061 self-tapping sheet metal screws spaced approximately 18" (457mm) on center starting 6" (152mm) from each end.

Fig. 3



Installation Hotline • 866.EZINPRO

Inprocorp.com • 800.222.5556 • 262.679.9010

World Headquarters S80 W18766 Apollo Drive, Muskego, WI 53150 USA

JOINTMASTER®
EXPANSION JOINT SYSTEMS
A DIVISION OF INPRO®

Installation Instructions

Joint System: 481, 491-A07/A09

Fig. 4

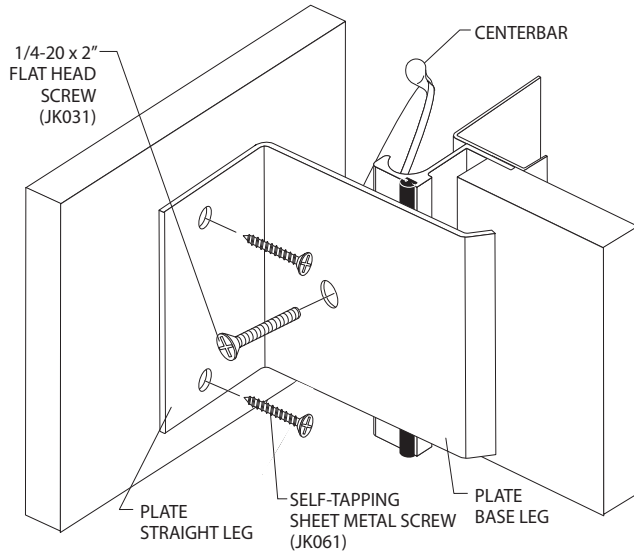


Figure 4

FOR A09-200 THRU 300 WALL TO CORNER SYSTEMS WITH CENTERBARS: (see Figure 4)

11. Insert one JK031 1/4-20 x 2" flat head screw through each counter-sunk hole in the aluminum plate. Thread loosely onto the centering bars. Rotate the centerbar so it is positioned vertically. Be sure the ball end will rotate towards the frame when the screw is tighten clockwise.
12. Secure the half plate to the substrate using JK061 self-tapping sheet metal screws spaced approximately 18" (457mm) on center starting 6" (152mm) from each end.
13. Tighten each plate screw, which will rotate the centering bar towards the frame channels. As the screw draws the centering bar towards the plate, the ball end of the centering bar will engage inside the radius channel of the frame.

Fig. 5

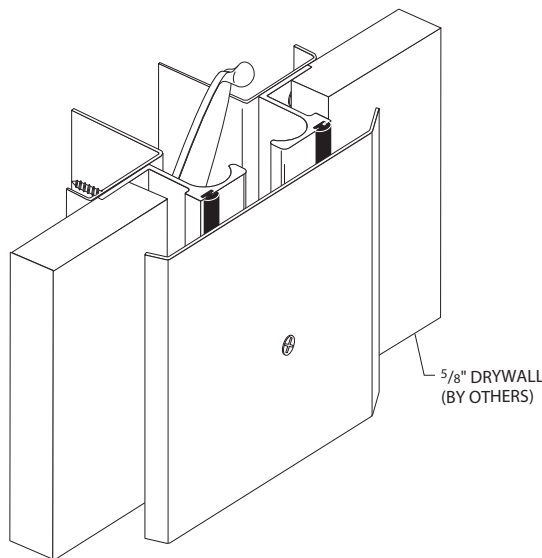


Figure 5

14. For the 481 system, install 5/8" finish material adjacent to the frames.
15. Clean the exposed surfaces with a non-solvent cleaner such as 409, as required.

Installation Hotline • 866.EZINPRO

Inprocorp.com • 800.222.5556 • 262.679.9010

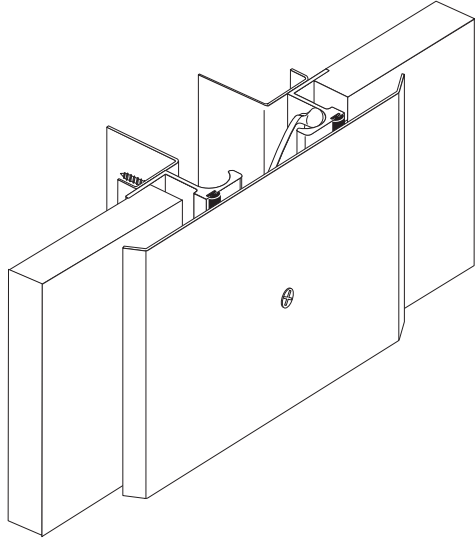
World Headquarters S80 W18766 Apollo Drive, Muskego, WI 53150 USA

JOINTMASTER®
EXPANSION JOINT SYSTEMS
A DIVISION OF INPRO®

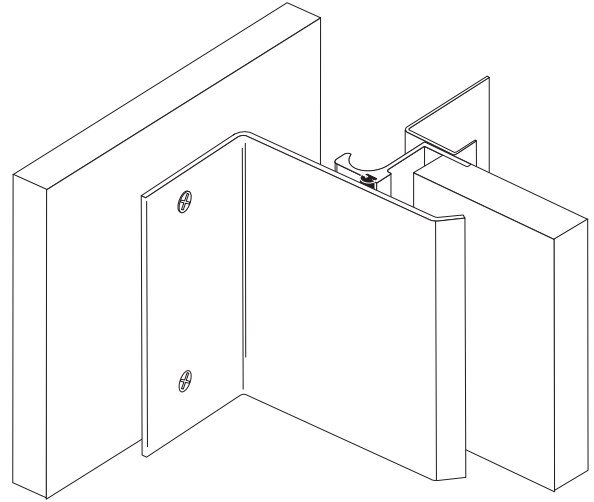
Installation Instructions

Joint System: 481, 491-A07/A09

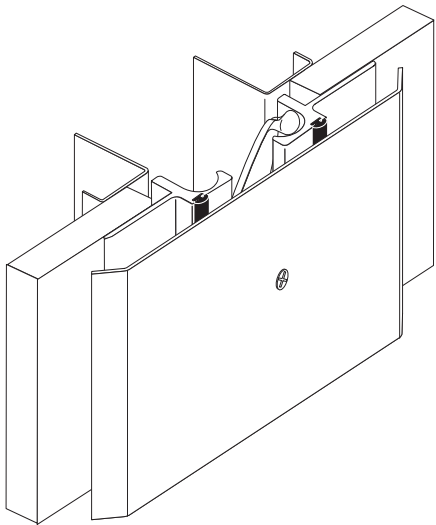
(481-A07 completed installation)



(481-A09 completed installation without centerbar)



(491-A07 completed installation)



(491-A09 completed installation with centerbar)

