

Installation Instructions

Joint System: 612-A07 / A09-200 / 250 / 300

Note: verify that the structural gap (joint opening) is constructed in conformance with submittal data before beginning installation. In general, this means that (a.) the J.O. is sized properly for the corresponding temperature as shown in the bid documents, (b.) the J.O. is consistent in width along the entire length of the joint and (c.) the J.O. has no abrupt "steps" mandating field correction and action. If this is a fire rated assembly, the fire barrier system must be installed before the architectural joint system. Refer to the fire barrier instructions for specific system installation.

FIG. 1.1 (612-A07-300 WALL TO WALL SHOWN)

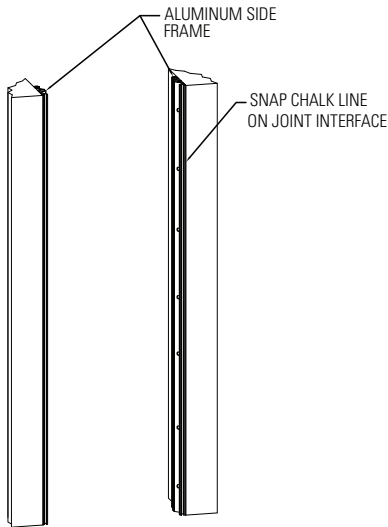


Figure 1

1. Snap a chalk line on the joint interfaces. This will be used later to position the side frames for the entire height of the wall. The installing contractor must fix any irregularities in the substrate walls prior to the installation of the systems. (Figure 1.1)
2. On the ground, assemble 10 foot (3 meter) (3 meter) lengths of the two side frames, one center face seal frame and centering bars. (Figure 1.2)
3. Arrange centering bars so there is one bar between two set screws. Insert set screws from the inside of one side frame. Set screw should not protrude past the outside of the frame. Seven centering bars are required for each 10 foot (3 meter) assembly length. (Figure 1.3)
4. Beginning at the base of the wall, expand or contract one

FIG. 1.2

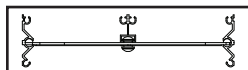
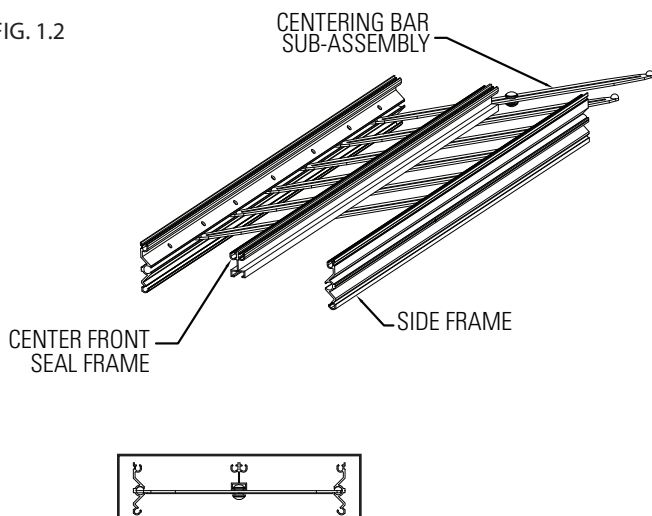
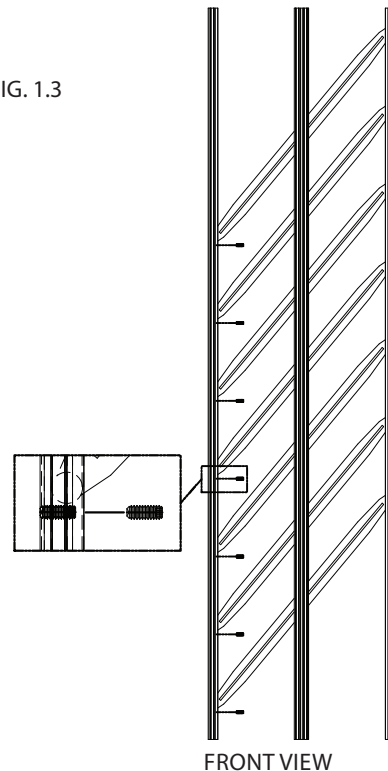


FIG. 1.3



IPC.913/REV.2

Installation Instructions

Joint System: 612-A07 / A09-200 / 250 / 300

Note: verify that the structural gap (joint opening) is constructed in conformance with submittal data before beginning installation. In general, this means that (a.) the J.O. is sized properly for the corresponding temperature as shown in the bid documents, (b.) the J.O. is consistent in width along the entire length of the joint and (c.) the J.O. has no abrupt “steps” mandating field correction and action. If this is a fire rated assembly, the fire barrier system must be installed before the architectural joint system. Refer to the fire barrier instructions for specific system installation.

FIG. 1.5

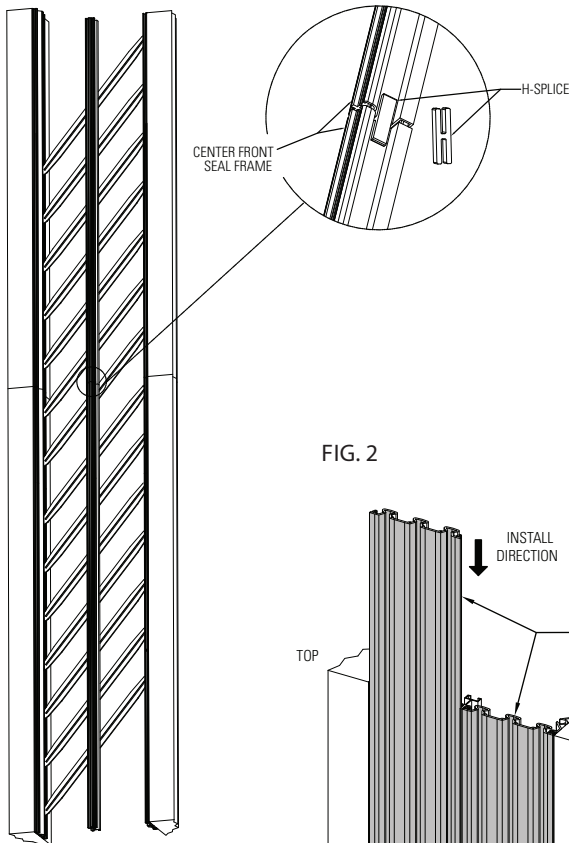
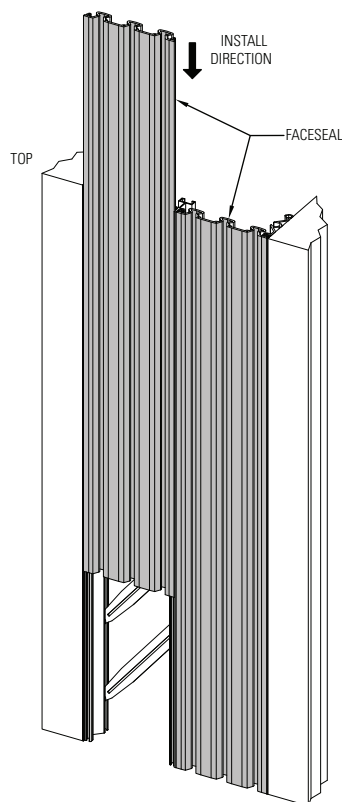


FIG. 2

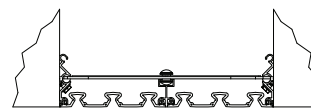


10 foot (3 meter) assembly into the joint opening. Set the side frames in a continuous bead of an appropriate sealant adhesive (as approved by the architect and supplied by the installer) and fasten to the substrate using the hardware supplied by InPro. Make sure the top ends of the assembly are flush. Angle the centering bars in the frames the same direction so the lower side of the bar rests on the set screw. Slide centering bars until they touch the set screws.

5. For joints exceeding 10 feet in length, repeat steps two and three going up the wall. Attach lengths of the center face seal frames together using H-splices. At the top of the wall, trim lengths as required to adjust to top of wall conditions and/or mate with roof joint products.

Figure 2

1. Cut the two face seals to length – making them slightly longer than required. The seals should be installed in one continuous piece. From the top of the wall, unroll the two lengths, placing the seal lengths on the front side of the centering bars. Starting from the top of the wall, insert the two seal lengths pushing the lugs into the frame receptacles. Fantastic or soapy water solution will help with the insertion.
2. Trim off the excess lengths at the base of the wall.
3. Depending upon the project requirements, a continuous bead of caulk may be required to be installed where the outside edges of the face seals abut the substrate walls. This caulk is supplied by others.



TOP VIEW

Installation Hotline • 866.EZINPRO

Inprocorp.com • 800.222.5556 • 262.679.9010

World Headquarters S80 W18766 Apollo Drive, Muskego, WI 53150 USA

JOINTMASTER®

EXPANSION JOINT SYSTEMS
A DIVISION OF INPRO®

Installation Instructions

Joint System: 612-A07 / A09-200 / 250 / 300

Note: verify that the structural gap (joint opening) is constructed in conformance with submittal data before beginning installation. In general, this means that (a.) the J.O. is sized properly for the corresponding temperature as shown in the bid documents, (b.) the J.O. is consistent in width along the entire length of the joint and (c.) the J.O. has no abrupt "steps" mandating field correction and action. If this is a fire rated assembly, the fire barrier system must be installed before the architectural joint system. Refer to the fire barrier instructions for specific system installation.

FIG. 3 (612-A07-300 WALL TO WALL)

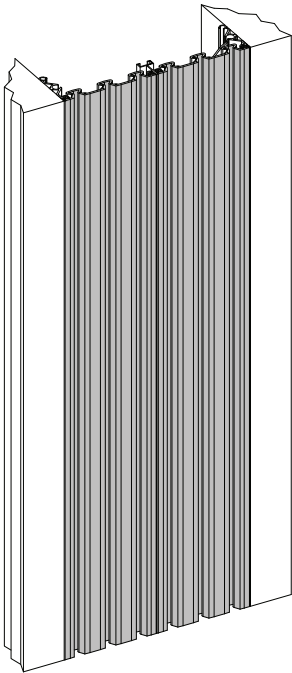


Figure 3

1. Per project dictates, address details at the top of the wall where the system meets with the expansion joint on the roof or roof parapet. This transition area, and components, should be shown in InPro Shop Drawing details. If none are shown, please contact InPro for appropriate details.

Installation Hotline • 866.EZINPRO

Inprocorp.com • 800.222.5556 • 262.679.9010

World Headquarters S80 W18766 Apollo Drive, Muskego, WI 53150 USA

JOINTMASTER® •

EXPANSION JOINT SYSTEMS
A DIVISION OF INPRO®