

CENTER BAR ALUM. ASSEMBLY  
(7 PER FRAME) (J616/621-A1)

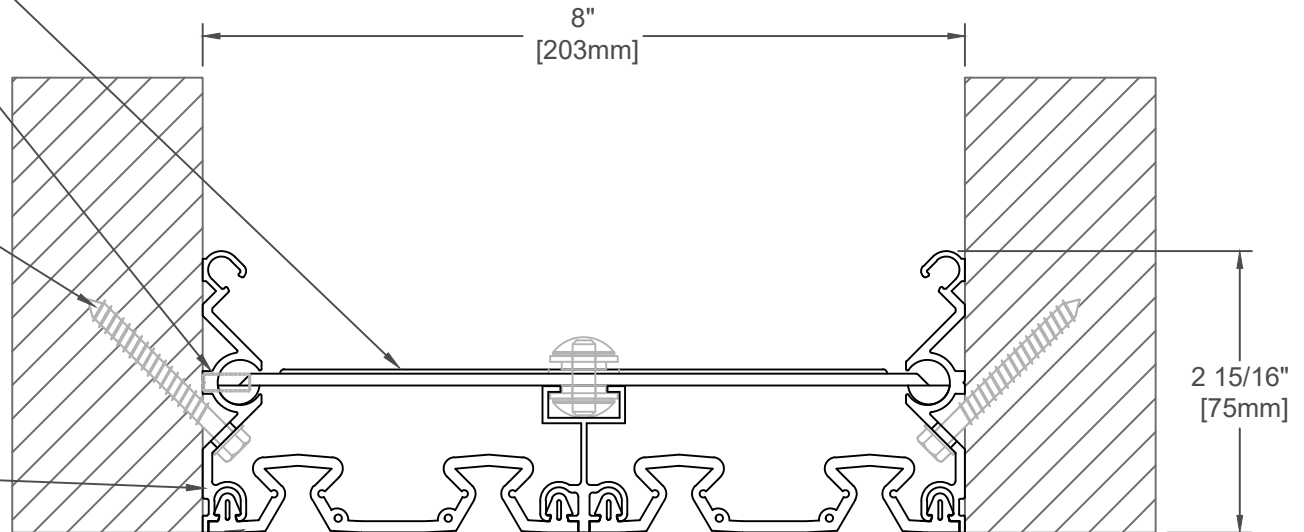
#10-24 x 1/2" CUP PT. SET  
SCREW ONE SIDE ONLY (8 PER  
FRAME) (JK616/621-4)

1/4" x 2 1/4" [M6x56] HEX HEAD  
CONC. SCREW (7 PER FRAME  
18" [457mm] O.C.) (JK001)  
WHERE ACCESSIBLE OR  
FASTEN FRAME WITH EPOXY  
ADHESIVE (BY OTHERS)

CONT. FLUSH MOUNT  
FRAME (J6A006-F1)

CONT. 4" [100mm]  
SANTOPRENE SEAL

CONT. CENTER FACESEAL  
FRAME (J6A008)



## 612-A07-200

SPECIFY SEAL COLOR:	
Black (J6D401)	
Beige (J6D402)	
Gray (J6D403)	
Off White (J6D404)	
Bright White (J2D405)	

JOINT WIDTH		MOVEMENT ±			
		HORIZONTAL		VERTICAL	
US	mm	US	mm	US	mm
8"	203	4"	102	4"	102

FINISH: ALUM. FINISH - MILL

PROJECT:

CUSTOMER:

LOCATION:

APPLICATION-  
FLUSH MOUNT WALL/WALL,  
CEILING/CEILING

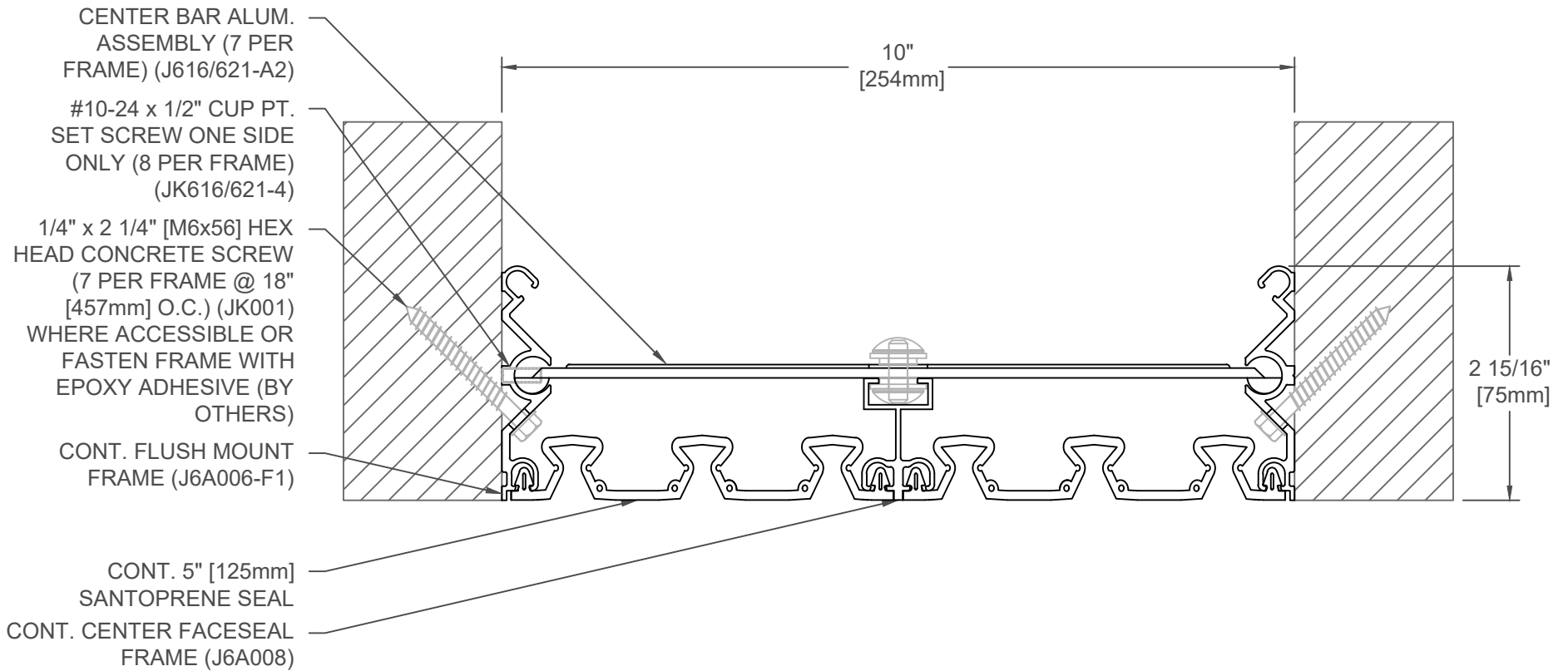
DATE: 11-15-07

SCALE: 1:2

DOC: CADJM.139/R1

**inpro.**

For More Information Visit: [Inprocorp.com](http://Inprocorp.com)



SPECIFY SEAL COLOR:	
Black (J6D501)	
Beige (J6D502)	
Gray (J6D503)	
Off White (J6D504)	
Bright White (J2D505)	

## 612-A07-250

JOINT WIDTH		MOVEMENT ±			
		HORIZONTAL		VERTICAL	
US	mm	US	mm	US	mm
10"	254	5"	127	5"	127

FINISH: ALUM. FINISH - MILL

PROJECT:

CUSTOMER:

LOCATION:

APPLICATION-  
FLUSH MOUNT WALL/WALL,  
CEILING/CEILING

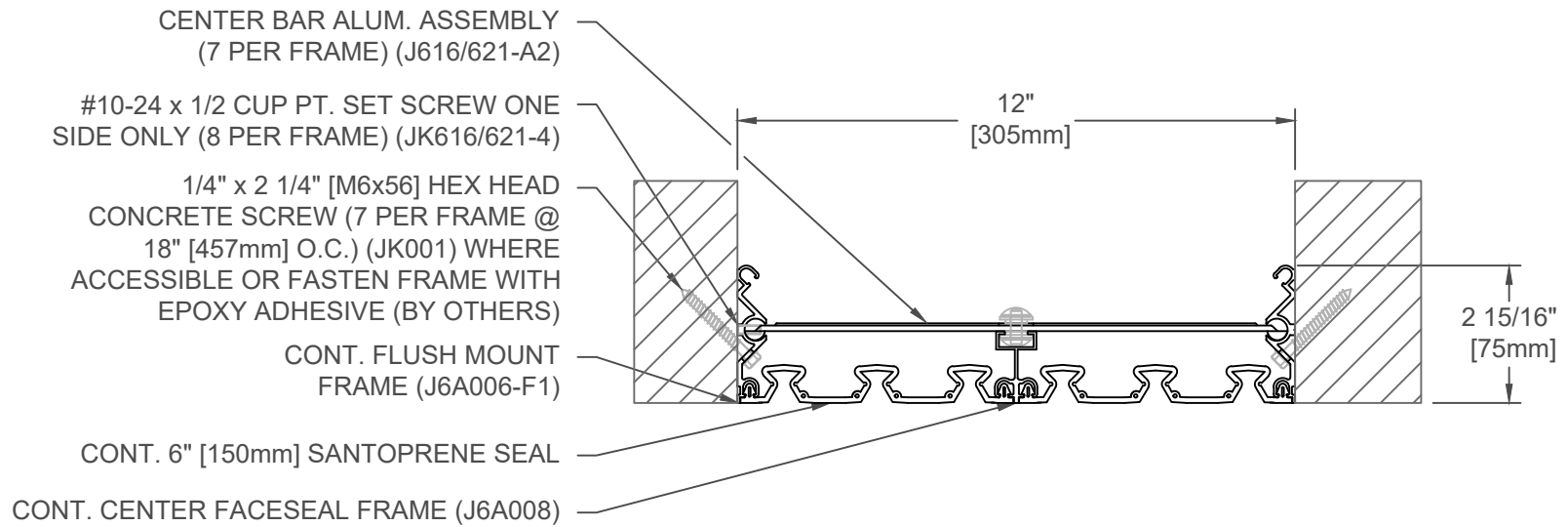
DATE: 11-15-07

SCALE: 1:2

DOC: CADJM.139/R1

**inpro.**

For More Information Visit: [Inprocorp.com](http://Inprocorp.com)



## 612-A07-300

SPECIFY SEAL COLOR:	
Black (J6D601)	
Beige (J6D602)	
Gray (J6D603)	
Off White (J6D604)	
Bright White (J2D605)	

JOINT WIDTH		MOVEMENT ±			
		HORIZONTAL		VERTICAL	
US	mm	US	mm	US	mm
12"	305	6"	152	6"	152

FINISH: ALUM. FINISH - MILL

PROJECT:

CUSTOMER:

LOCATION:

APPLICATION-  
WALL/CORNER, WALL/CEILING  
FLUSH WALL AND CEILING SYSTEM

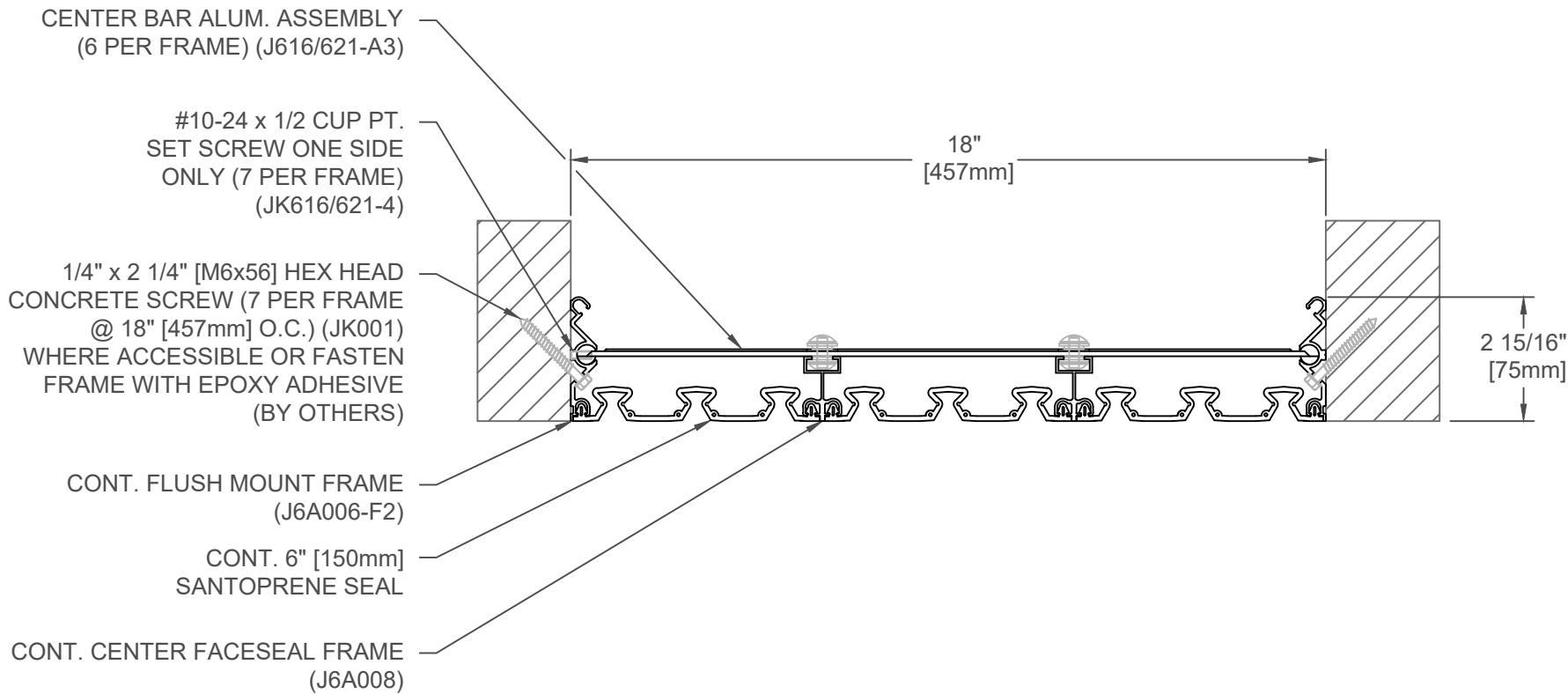
DATE: 11-15-07

SCALE: 1:4

DOC: CADJM.139/R1

**inpro.**

For More Information Visit: [Inprocorp.com](http://Inprocorp.com)



## 612-A07-450

SPECIFY SEAL COLOR:	
Black (J6D601)	
Beige (J6D602)	
Gray (J6D603)	
Off White (J6D604)	
Bright White (J2D605)	

JOINT WIDTH		MOVEMENT ±			
		HORIZONTAL		VERTICAL	
US	mm	US	mm	US	mm
18"	457	9"	229	6"	152

FINISH: ALUM. FINISH - MILL
PROJECT:
CUSTOMER:
LOCATION:

APPLICATION-  
WALL/CORNER, WALL/CEILING  
FLUSH WALL AND CEILING SYSTEM

DATE:	11-15-07
SCALE:	1:4
DOC:	CADJM.139/R1

**inpro.**

For More Information Visit: [Inprocorp.com](http://Inprocorp.com)