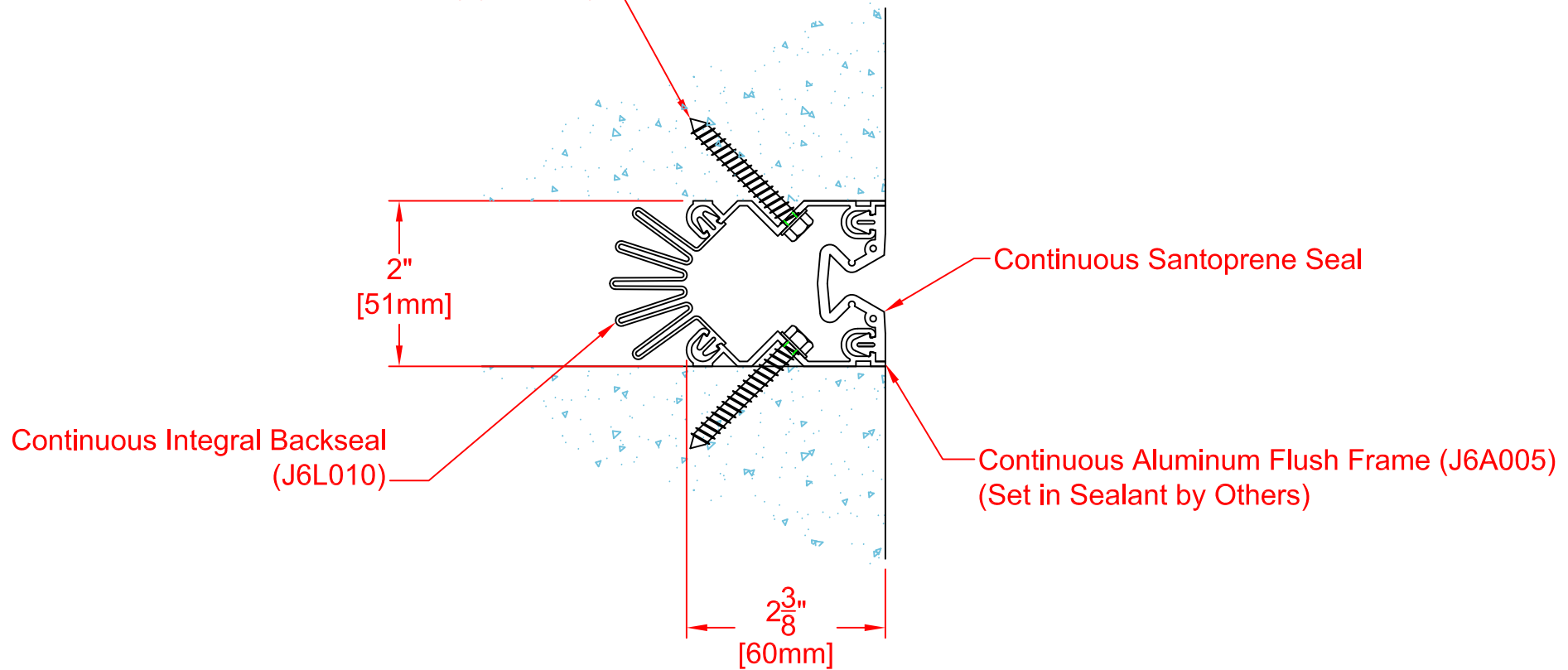


Hex Head Concrete Screw (7 per Frame)
Where Accessible or Fasten Frame
With Epoxy Adhesive
(by Others)



615-A07-050

SPECIFY SEAL COLOR		
Black	(J6D201)	
Beige	(J6D202)	
Gray	(J6D203)	
Off White	(J6D204)	
Bright White	(J6D205)	

Joint Width		Movement ±			
		Horizontal		Vertical	
US	mm	US	mm	US	mm
2"	51	1"	25	1"	25

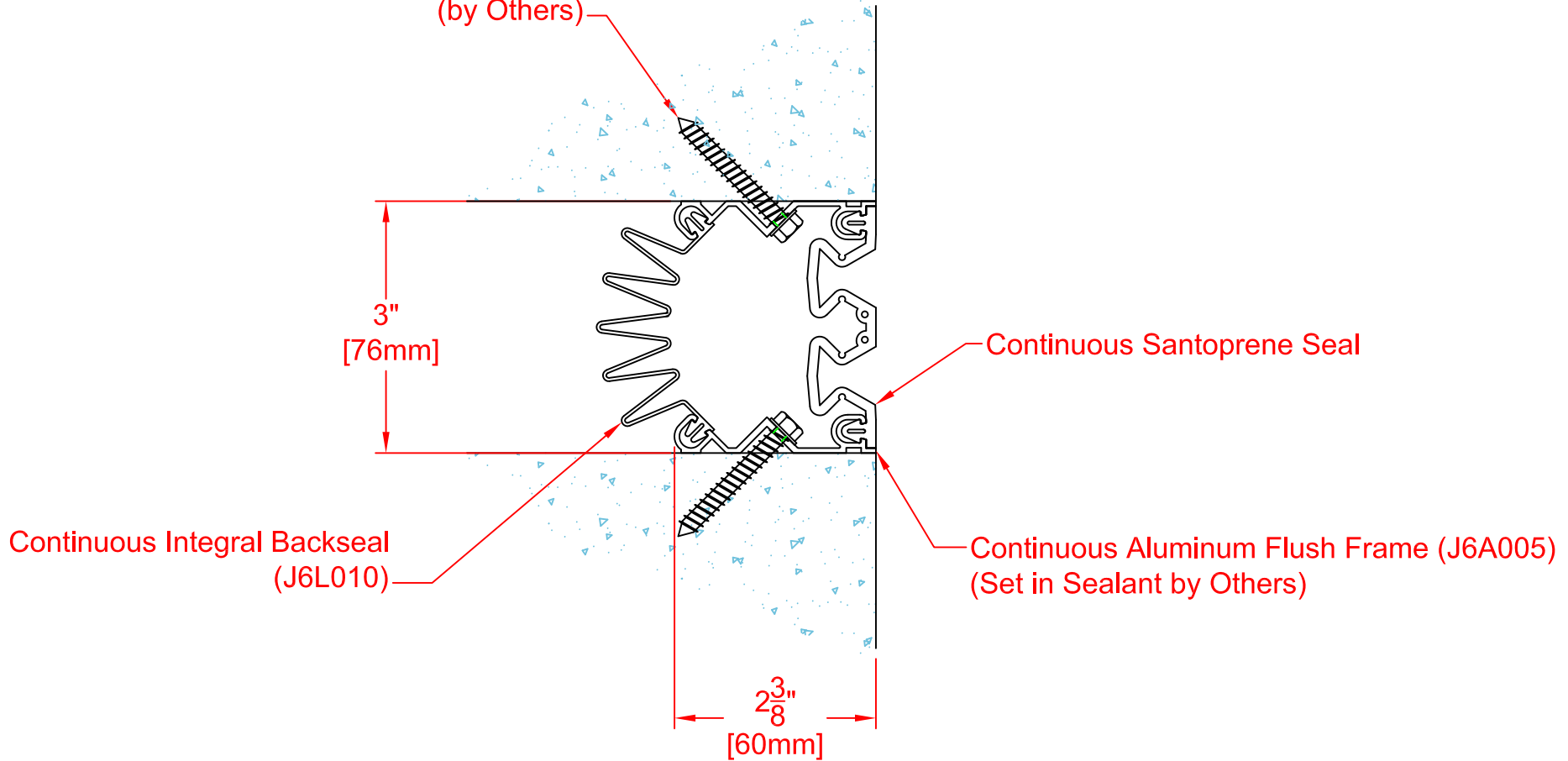
JOINTMASTER™
EXPANSION JOINT SYSTEMS

DATE: 3-14-05
SCALE: 1:2
DOC: CADJM.142/Rev1

APPLICATION-
EXTERIOR WALL/WALL, CEILING/CEILING
FLUSH WALL AND CEILING SYSTEMS

inpro.

Hex Head Concrete Screw (7 per Frame)
Where Accessible or Fasten Frame
With Epoxy Adhesive
(by Others)



615-A07-075

SPECIFY SEAL COLOR		
Black	(J6D301)	
Beige	(J6D302)	
Gray	(J6D303)	
Off White	(J6D304)	
Bright White	(J6D305)	

Joint Width		Movement ±			
		Horizontal		Vertical	
US	mm	US	mm	US	mm
3"	76	1-1/2"	38	1-1/2"	38

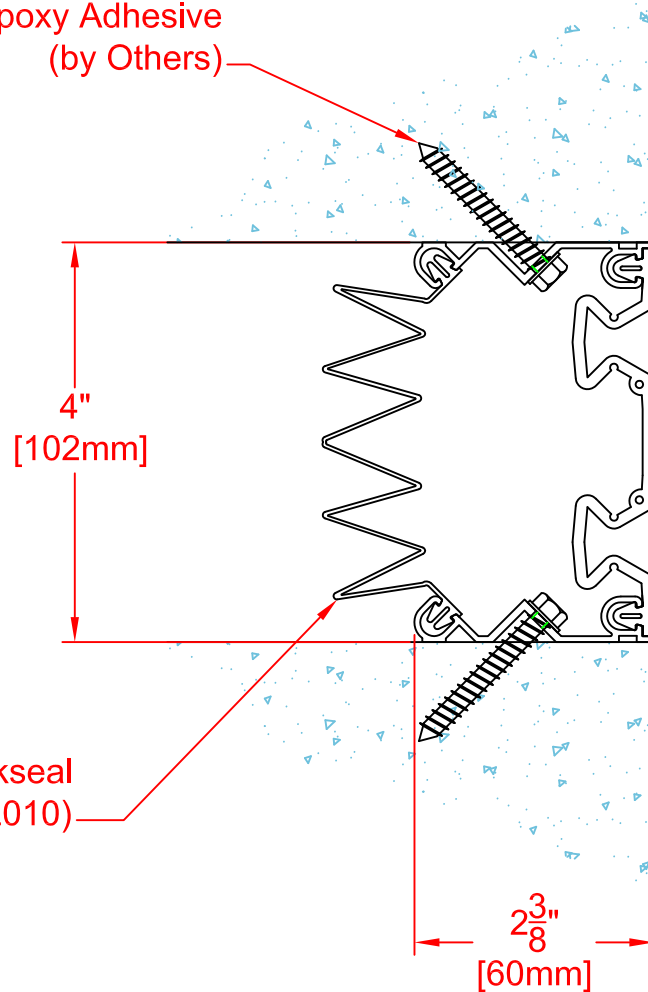
JOINTMASTER™
EXPANSION JOINT SYSTEMS

DATE: 3-14-05
SCALE: 1:2
DOC: CADJM.142/Rev1

APPLICATION-
EXTERIOR WALL/WALL, CEILING/CEILING
FLUSH WALL AND CEILING SYSTEMS

inpro.

Hex Head Concrete Screw (7 per Frame)
Where Accessible or Fasten Frame
With Epoxy Adhesive
(by Others)



Continuous Santoprene Seal

Continuous Integral Backseal
(J6L010)

Continuous Aluminum Flush Frame (J6A005)
(Set in Sealant by Others)

615-A07-100

SPECIFY SEAL COLOR		
Black	(J6D401)	
Beige	(J6D402)	
Gray	(J6D403)	
Off White	(J6D404)	
Bright White	(J6D405)	

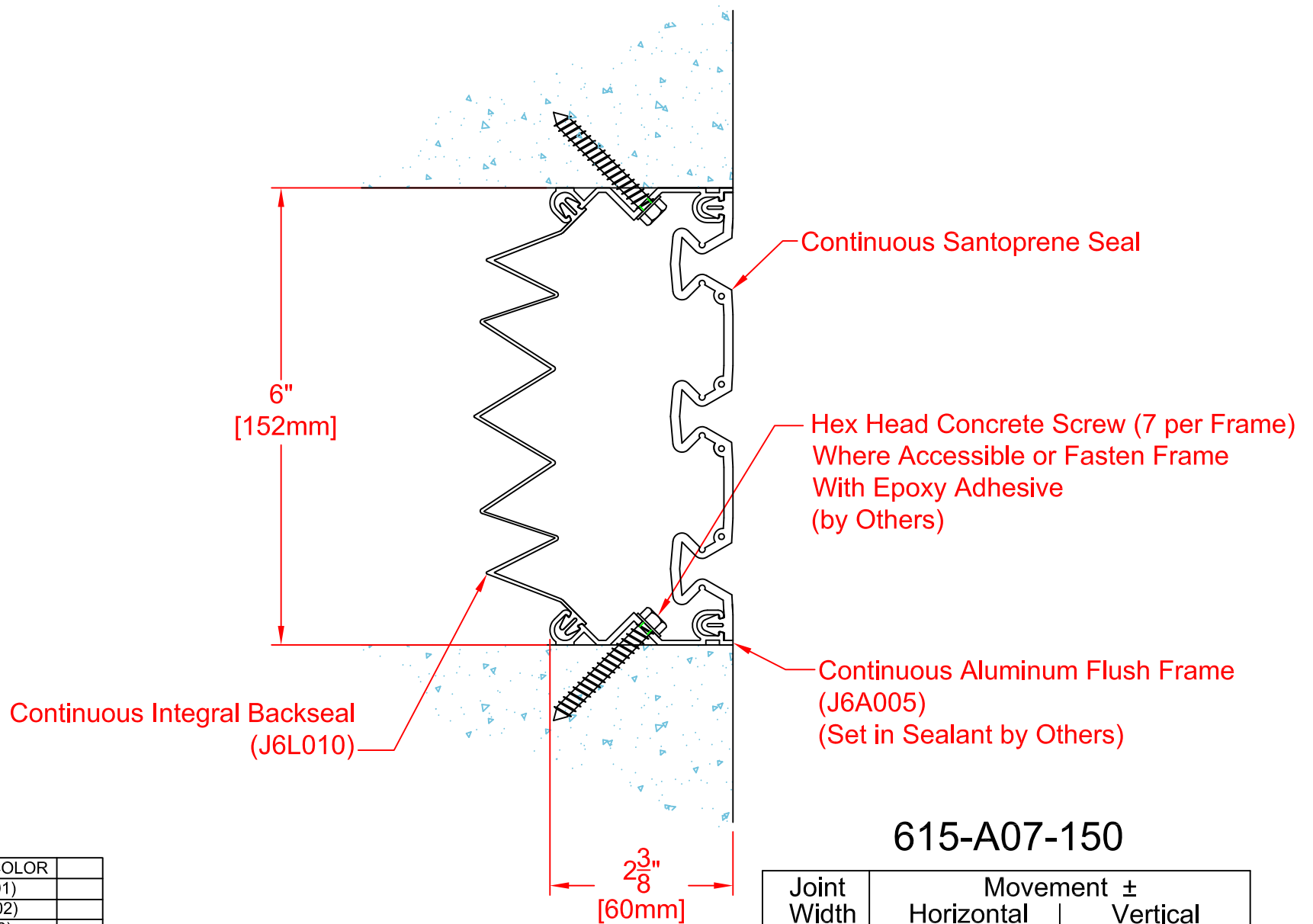
Joint Width		Movement ±			
		Horizontal		Vertical	
US	mm	US	mm	US	mm
4"	102	2"	51	2"	51

JOINTMASTER™
EXPANSION JOINT SYSTEMS

DATE: 3-14-05
SCALE: 1:2
DOC: CADJM.142/Rev1

APPLICATION-
EXTERIOR WALL/WALL, CEILING/CEILING
FLUSH WALL AND CEILING SYSTEMS

inpro.



615-A07-150

SPECIFY SEAL COLOR	
Black	(J6D601)
Beige	(J6D602)
Gray	(J6D603)
Off White	(J6D604)
Bright White	(J6D605)

Joint Width		Movement ±			
		Horizontal		Vertical	
US	mm	US	mm	US	mm
6"	152	3"	76	3"	76

JOINTMASTER™
EXPANSION JOINT SYSTEMS

DATE: 3-14-05
SCALE: 1:2
DOC: CADJM.142/Rev1

APPLICATION-
EXTERIOR WALL/WALL, CEILING/CEILING
FLUSH WALL AND CEILING SYSTEMS

inpro.