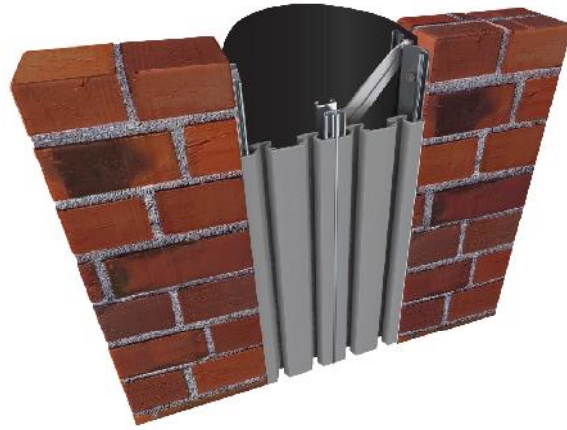


616 Series

A07 - Wall to Wall or Ceiling to Ceiling

A09 - Wall to Corner or Wall to Ceiling



Movement Rating ± 50%

Product Guide



Seismic



Exterior



Interior



Fire Rated
Option



Vapor Barrier
Option

- ▶ Flush mount interior and exterior systems reduce sightline
- ▶ Santoprene® seals - Field heat weldable for weather tight transitions
- ▶ Standard seal colors: black, beige, gray, off white and bright white. Custom colors available upon request.
- ▶ One of the thickest seals in the industry which creates crisp linear lines that resist waviness
- ▶ May be installed to various substrates with mechanical anchors or epoxy adhesive

Application	System	W		H1		H2		S		B		Movement +/-			
		Joint Width		Frame Height 1		Height 2		Sightline		Blockout		Horizontal		Vertical	
		US	mm	US	mm	US	mm	US	mm	US	mm	US	mm	US	mm
Wall to Wall	616-A07-200	8"	200	3"	75	*	*	8"	200	*	*	4"	102	4"	102
	616-A07-250	10"	250	3"	75	*	*	10"	250	*	*	5"	127	5"	127
	616-A07-300	12"	300	3"	75	*	*	12"	300	*	*	6"	152	6"	152
	616-A07-450	18"	450	3"	75	*	*	18"	450	*	*	9"	229	9"	229
	616-A07-600	24"	600	3"	75	*	*	24"	600	*	*	12"	305	12"	305
Wall to Corner	616-A09-200	8"	200	3"	75	*	*	8"	200	*	*	4"	102	4"	102
	616-A09-250	10"	250	3"	75	*	*	10"	250	*	*	5"	127	5"	127
	616-A09-300	12"	300	3"	75	*	*	12"	300	*	*	6"	152	6"	152
	616-A09-450	18"	450	3"	75	*	*	18"	450	*	*	9"	229	9"	229
	616-A09-600	24"	600	3"	75	*	*	24"	600	*	*	12"	305	12"	305

IPC.1335/REV.9

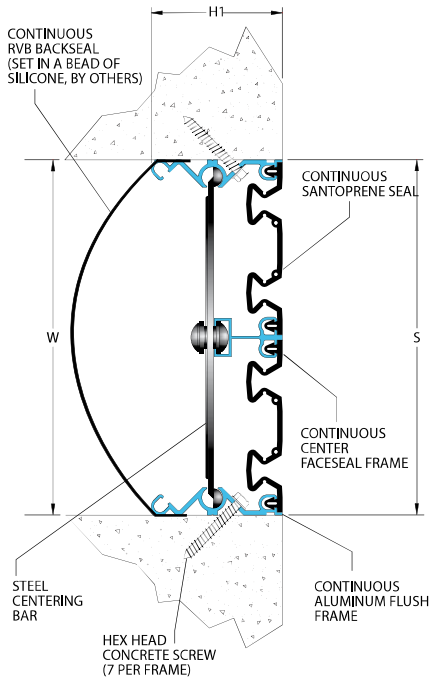
Inprocorp.com • 800.222.5556 • 262.679.9010
World Headquarters S80 W18766 Apollo Drive, Muskego, WI 53150 USA

JOINTMASTER®
EXPANSION JOINT SYSTEMS
A DIVISION OF INPRO®

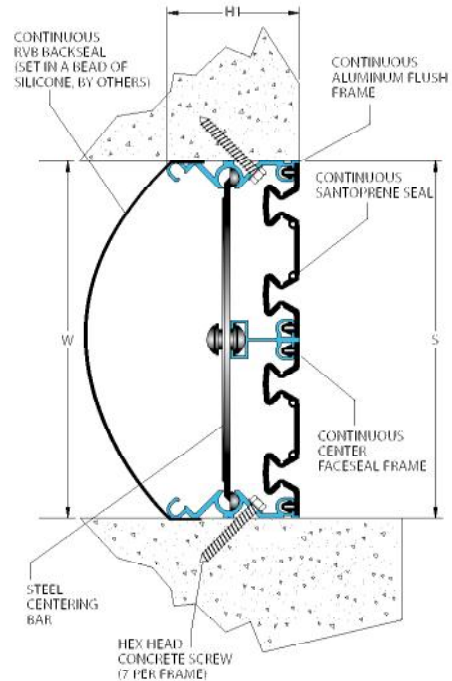
616 Series

Flush Mount Wall and Ceiling Systems

616-A07 Wall/Wall Ceiling/Ceiling
(8" (200mm) system shown)

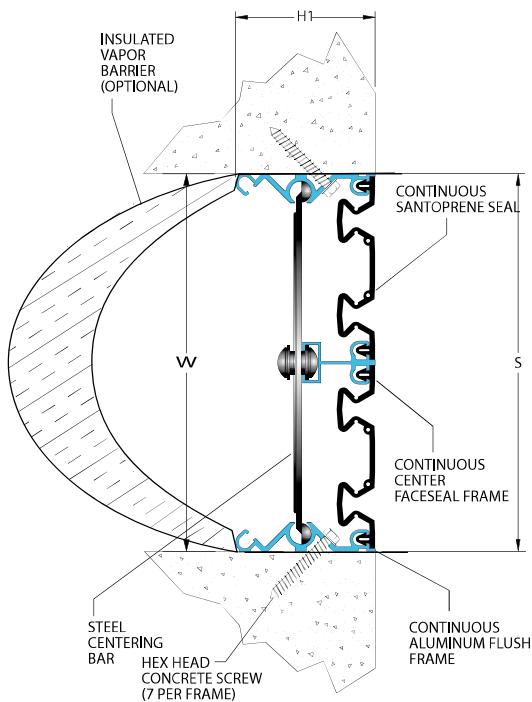


616-A09 Wall/Corner Ceiling/Corner
(8" (200mm) system shown)



616 Series Options

Insulated Vapor Barrier
(8" (616-A07-200) system shown)
(Standard Vapor Barrier also available)



Fire Blanket System
(8" (616-A07-200) system shown)

