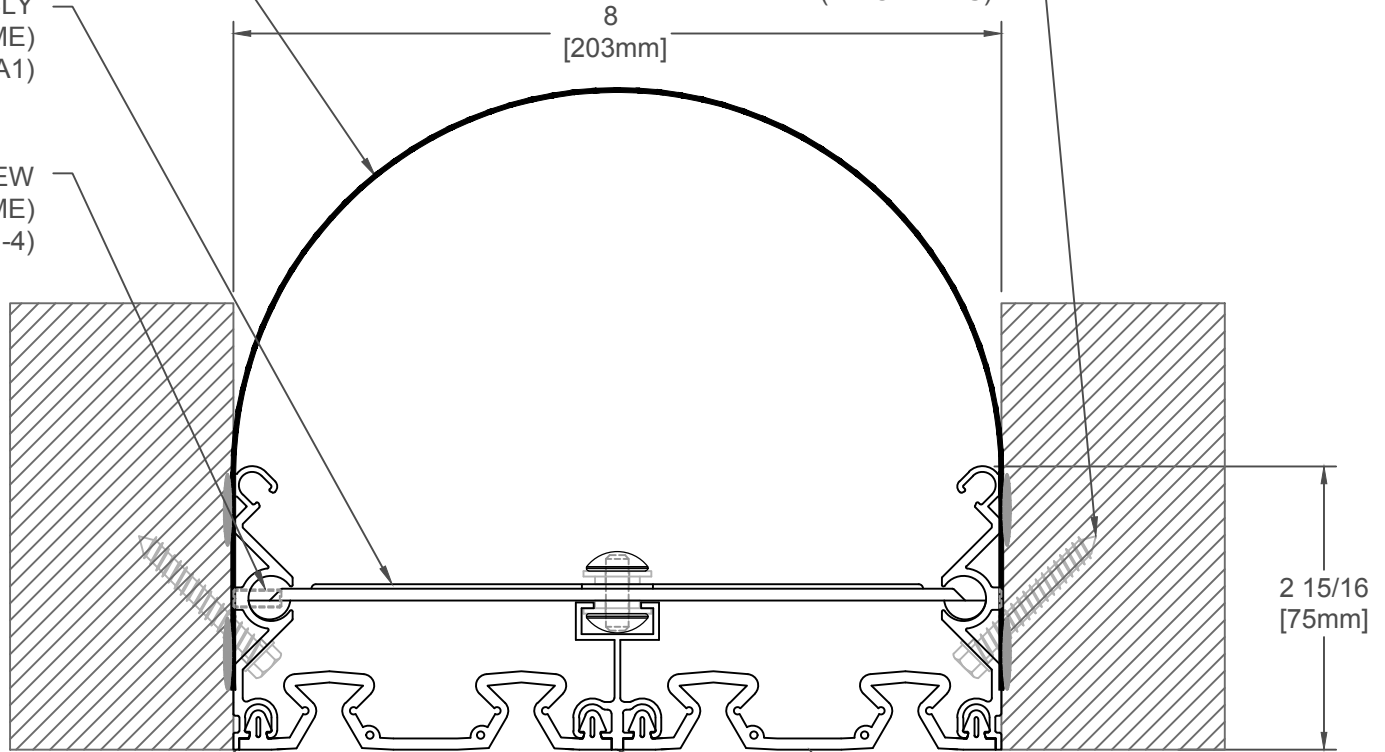


EPDM SHEET VAPOR BARRIER (JL018-RVB)
NOTE: SET IN CONT. BEAD OF BUTYL/RUBBER CAULK (BY OTHERS)

CENTER BAR ASSEMBLY
(7 PER FRAME)
(J616/621-A1)

#10-24 x 1/2" CUP PT. SET SCREW
ONE SIDE ONLY (8 PER FRAME)
(JK616/621-4)

1/4" x 2 1/4" [M6x56] HEX HEAD CONC. SCREW
(7 PER FRAME @ 18" (457mm) O.C.)
(JK001) WHERE ACCESSIBLE
OR
FASTEN FRAME WITH EPOXY ADHESIVE
(BY OTHERS)



CONT. FLUSH MOUNT FRAME
(SET IN SEALANT BY OTHERS)
(J6A006-F1)

CONT. 4" SANTOPRENE SEAL

CONT. CENTER FACE SEAL FRAME
(J6A008)

616-A07-200

SPECIFY SEAL COLOR	
Black	(J6D401)
Beige	(J6D402)
Gray	(J6D403)
Off White	(J6D404)
Bright White	(J6D405)

Joint Width		Movement ±			
		Horizontal		Vertical	
US	mm	US	mm	US	mm
8"	203	4"	102	4"	102

FINISH: MILL

JOINTMASTER
EXPANSION JOINT SYSTEMS
A DIVISION OF INPRO

DATE: 4-27-05
SCALE: 1:2
DOC: CADJM.144/Rev2

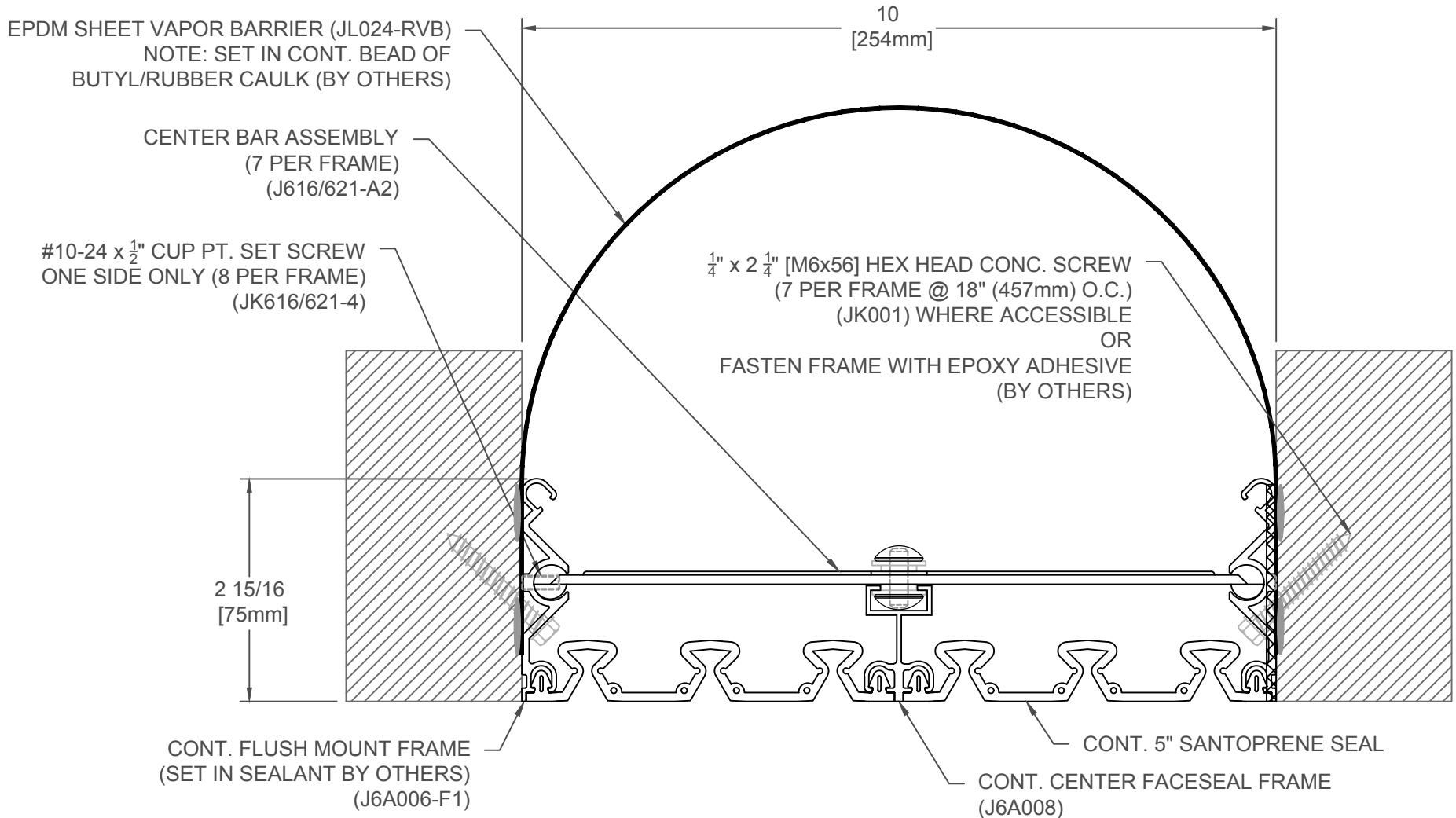
APPLICATION-
FLUSH MOUNT WALL/WALL, CEILING/CEILING
EXTERIOR CONDITION

PROJECT:

CUSTOMER:

LOCATION:

inpro.



616-A07-250

SPECIFY SEAL COLOR	
Black	(J6D501)
Beige	(J6D502)
Gray	(J6D503)
Off White	(J6D504)
Bright White	(J6D505)

Joint Width		Movement ±			
		Horizontal		Vertical	
US	mm	US	mm	US	mm
10"	254	5"	127	5"	127

FINISH: MILL

JOINTMASTER
EXPANSION JOINT SYSTEMS
A DIVISION OF INPRO

DATE: 4-27-05

SCALE: 1:2

DOC: CADJM.144/Rev2

APPLICATION-
FLUSH MOUNT WALL/WALL, CEILING/CEILING
EXTERIOR CONDITION

PROJECT:

CUSTOMER:

LOCATION:

inpro.

EPDM SHEET VAPOR BARRIER (JL024-RVB)
 NOTE: SET IN CONT. BEAD OF BUTYL/RUBBER CAULK (BY OTHERS)

CENTER BAR ASSEMBLY
 (7 PER FRAME)
 (J616/621-A2)

#10-24 X 1/2 CUP PT. SET SCREW
 ONE SIDE ONLY (8 PER FRAME)
 (JK616/621-4)

12
 [305mm]

1/4" x 2 1/4" [M6x56] HEX HEAD CONC. SCREW
 (7 PER FRAME @ 18" (457mm) O.C.)
 (JK001) WHERE ACCESSIBLE
 OR
 FASTEN FRAME WITH EPOXY ADHESIVE
 (BY OTHERS)

2 15/16
 [75mm]

CONT. FLUSH MOUNT FRAME
 (SET IN SEALANT BY OTHERS)
 (J6A006-F1)

CONT. 6" SANTOPRENE SEAL
 CONT. CENTER FACESEAL FRAME
 (J6A008)

616-A07-300

SPECIFY SEAL COLOR	
Black	(J6D601)
Beige	(J6D602)
Gray	(J6D603)
Off White	(J6D604)
Bright White	(J6D605)

Joint Width		Movement ±			
		Horizontal		Vertical	
US	mm	US	mm	US	mm
12"	305	6"	152	6"	152

FINISH: MILL

• JOINTMASTER®
 EXPANSION JOINT SYSTEMS
 A DIVISION OF INPRO®

DATE: 4-27-05
 SCALE: 1:2
 DOC: CADJM.144/Rev2

APPLICATION-
 FLUSH MOUNT WALL/WALL, CEILING/CEILING
 EXTERIOR CONDITION

PROJECT:

CUSTOMER:

LOCATION:

inpro.

EPDM SHEET VAPOR BARRIER (JL036-RVB)
NOTE: SET IN CONT. BEAD OF BUTYL/RUBBER CAULK (BY OTHERS)

CENTER BAR ASSEMBLY
(6 PER FRAME)
(J616/621-A3)

#10-24 X 1/2 CUP PT. SET SCREW
ONE SIDE ONLY (8 PER FRAME)
(JK616/621-4)

18
[457mm]

1/4" x 2 1/4" [M6x56] HEX HEAD CONC. SCREW
(7 PER FRAME @ 18" (457mm) O.C.)
(JK001) WHERE ACCESSIBLE
OR
FASTEN FRAME WITH EPOXY ADHESIVE
(BY OTHERS)

2 15/16
[75mm]

CONT. FLUSH MOUNT FRAME
(SET IN SEALANT BY OTHERS)
(J6A006-F2)

CONT. 6" SANTOPRENE SEAL

CONT. CENTER FACESEAL FRAME
(J6A008)

SPECIFY SEAL COLOR	
Black	(J6D601)
Beige	(J6D602)
Gray	(J6D603)
Off White	(J6D604)
Bright White	(J6D605)

616-A07-450

Joint Width		Movement ±			
		Horizontal		Vertical	
US	mm	US	mm	US	mm
18"	457	9"	229	6"	152

FINISH: MILL

JOINTMASTER
EXPANSION JOINT SYSTEMS
A DIVISION OF INPRO

DATE: 11-15-07

SCALE: 1:4

DOC: CADJM.144/Rev2

APPLICATION-
FLUSH MOUNT
WALL/WALL, CEILING/CEILING
EXTERIOR CONDITION

PROJECT:

CUSTOMER:

LOCATION:

inpro.

EPDM SHEET VAPOR BARRIER (JL042-RVB)
NOTE: SET IN CONT. BEAD OF BUTYL/RUBBER CAULK (BY OTHERS)

CENTER BAR ASSEMBLY
(6 PER FRAME)
(J616/621-A4)

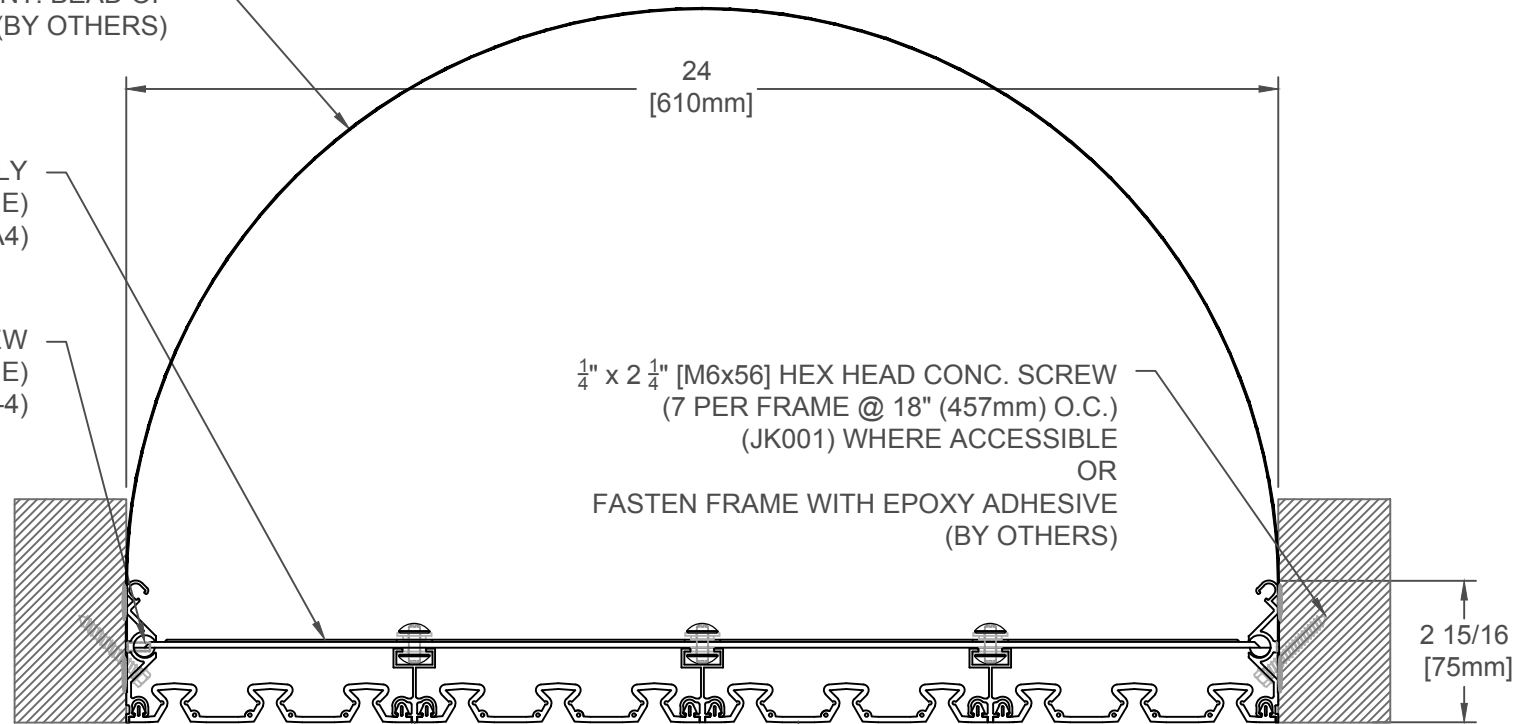
#10-24 X 1/2 CUP PT. SET SCREW
ONE SIDE ONLY (8 PER FRAME)
(JK616/621-4)

1/4" x 2 1/4" [M6x56] HEX HEAD CONC. SCREW
(7 PER FRAME @ 18" (457mm) O.C.)
(JK001) WHERE ACCESSIBLE
OR
FASTEN FRAME WITH EPOXY ADHESIVE
(BY OTHERS)

CONT. FLUSH MOUNT FRAME
(SET IN SEALANT BY OTHERS)
(J6A006-F3)

CONT. CENTER FACESEAL FRAME
(J6A008)

CONT. 6" SANTOPRENE SEAL



SPECIFY SEAL COLOR	
Black	(J6D601)
Beige	(J6D602)
Gray	(J6D603)
Off White	(J6D604)
Bright White	(J6D605)

616-A07-600

Joint Width		Movement ±			
		Horizontal		Vertical	
US	mm	US	mm	US	mm
24"	610	12"	305	12"	305

FINISH: MILL

JOINTMASTER
EXPANSION JOINT SYSTEMS
A DIVISION OF INPRO

DATE: 11-15-07

SCALE: 1:4

DOC: CADJM.144/Rev2

APPLICATION-
FLUSH MOUNT
WALL/WALL, CEILING/CEILING
EXTERIOR CONDITION

PROJECT:

CUSTOMER:

LOCATION:

inpro.