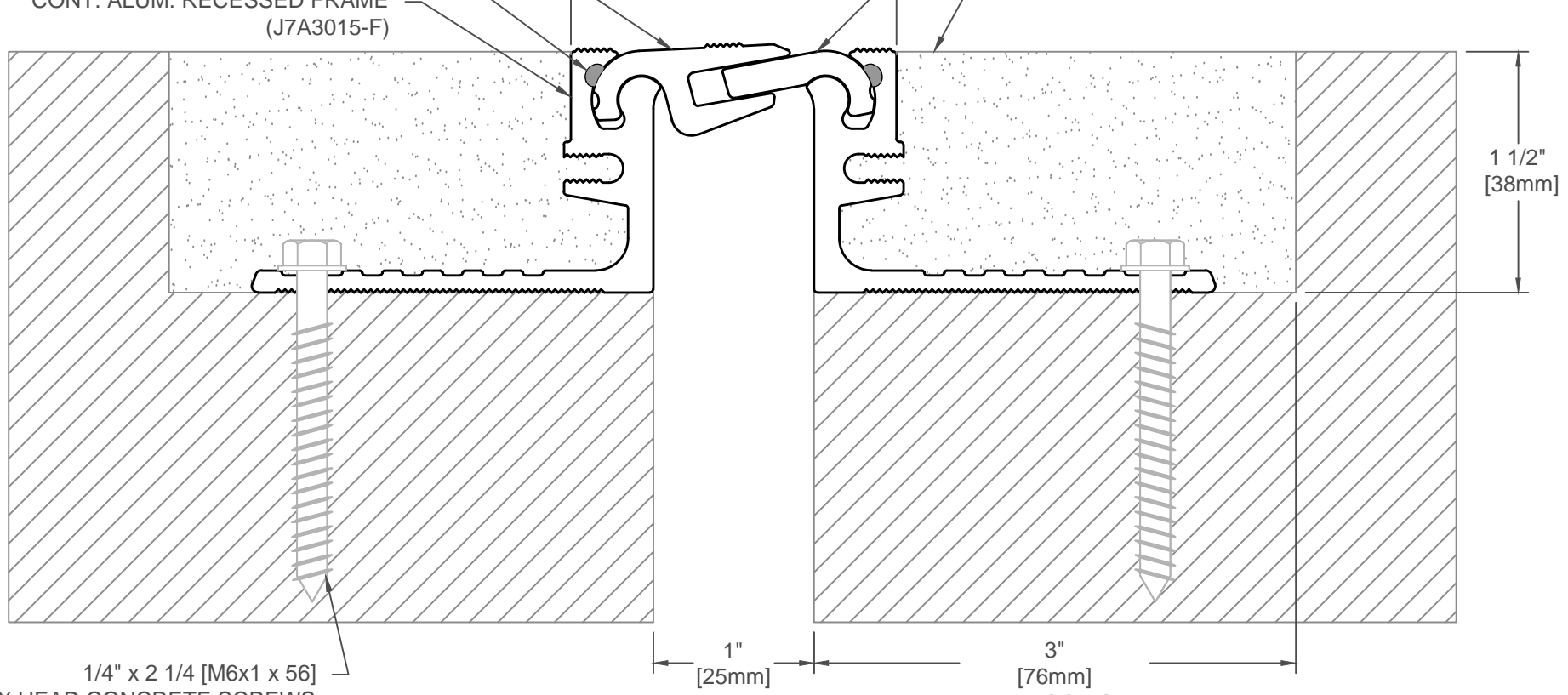


CONT. ALUM. RECEIVING COVER  
(J7C301)  
CONT. SANTOPRENE MICROSEAL  
(J7D002)  
CONT. ALUM. RECESSED FRAME  
(J7A3015-F)

CONT. ALUM. SLIDE COVER  
(J7C302)  
FLOOR FINISH & BACK FILL  
(BY OTHERS)



1/4" x 2 1/4 [M6x1 x 56]  
HEX HEAD CONCRETE SCREWS  
(7 PRE FRAME @ 18" [457mm] O.C.)  
(JK001)

### 733-A01-025

Joint Width		Movement ±			
		Horizontal		Vertical	
US	mm	US	mm	US	mm
1"	25	3/16"	5	3/16"	5

FINISH: MILL

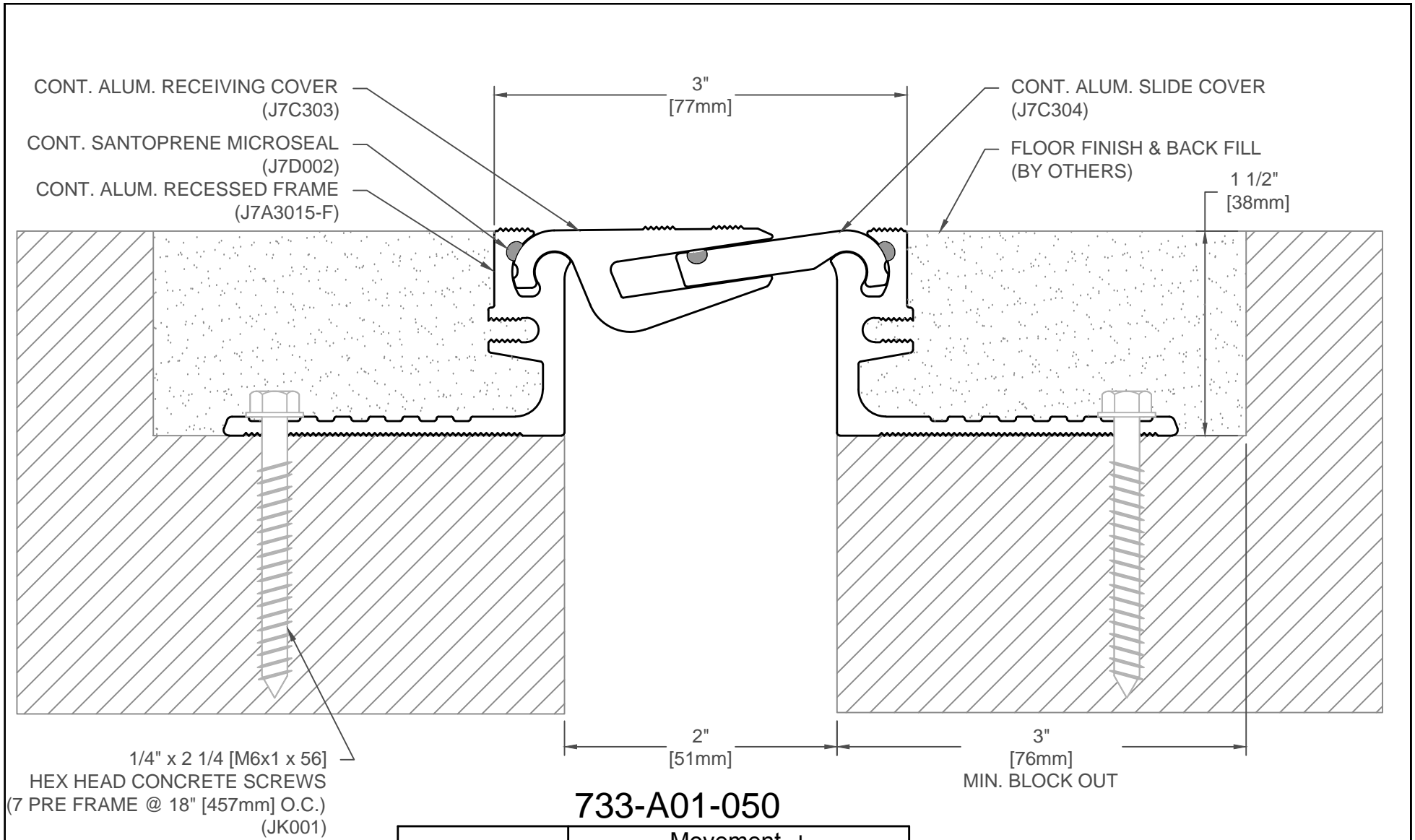
**• JOINTMASTER**  
EXPANSION JOINT SYSTEMS  
A DIVISION OF INPRO

DATE: 10/16/17  
SCALE: 1:1  
DOC: CADJM.194/R 1

FLOOR/FLOOR HEAVY DUTY  
RECESSED MOUNT SLIDE PLATE

PROJECT:  
CUSTOMER:  
LOCATION:





**733-A01-050**

Joint Width		Movement ±			
		Horizontal		Vertical	
US	mm	US	mm	US	mm
2"	50	1/2"	12	1/2"	12

FINISH: MILL

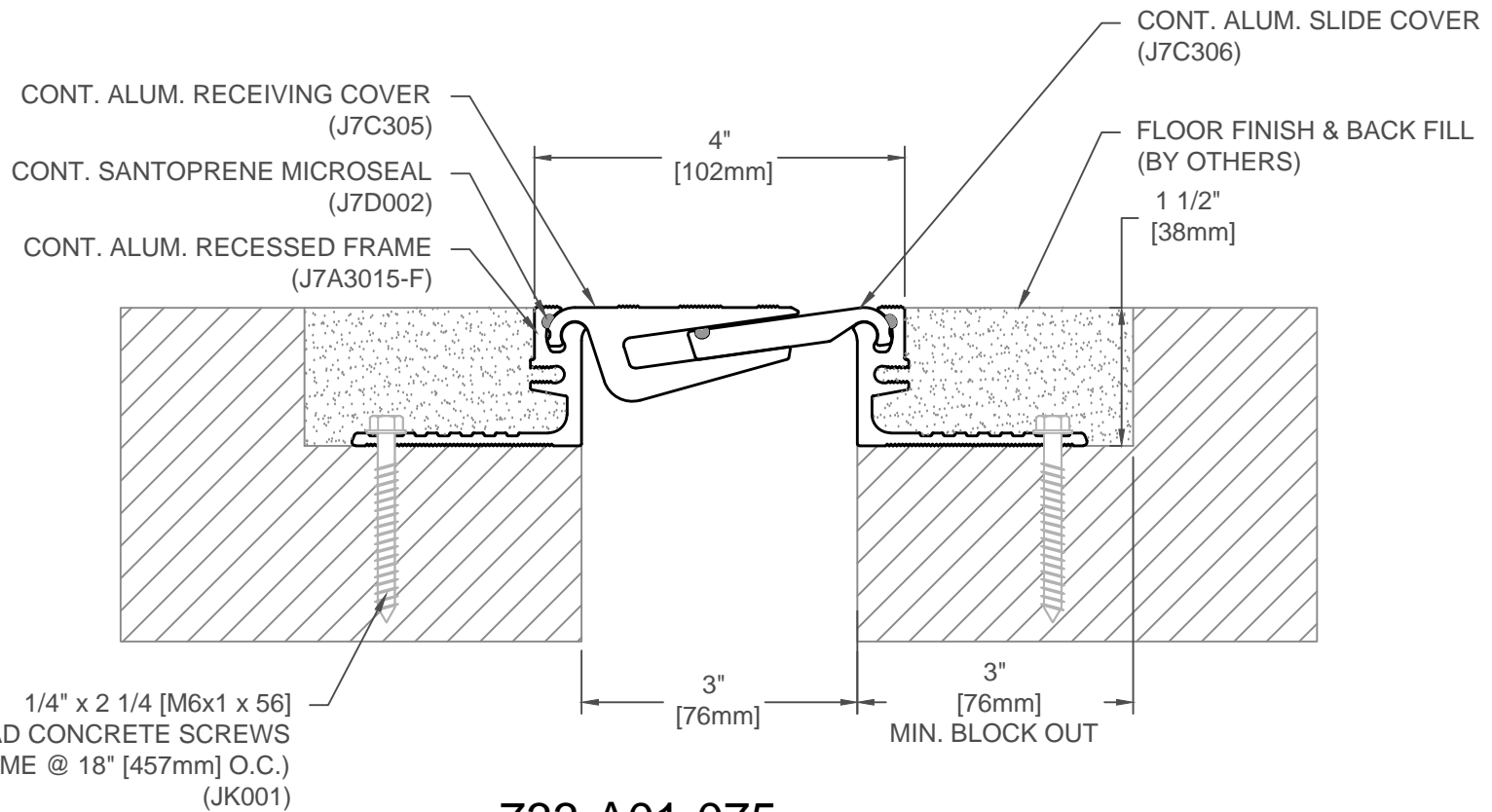
**• JOINTMASTER**  
 EXPANSION JOINT SYSTEMS  
 A DIVISION OF INPRO

DATE: 10/16/17  
 SCALE: 1:1  
 DOC: CADJM.194/R 1

FLOOR/FLOOR HEAVY DUTY  
 RECESSED MOUNT SLIDE PLATE

PROJECT:  
 CUSTOMER:  
 LOCATION:





**733-A01-075**

Joint Width		Movement ±			
		Horizontal		Vertical	
US	mm	US	mm	US	mm
3"	75	3/4"	20	3/4"	20

FINISH: MILL

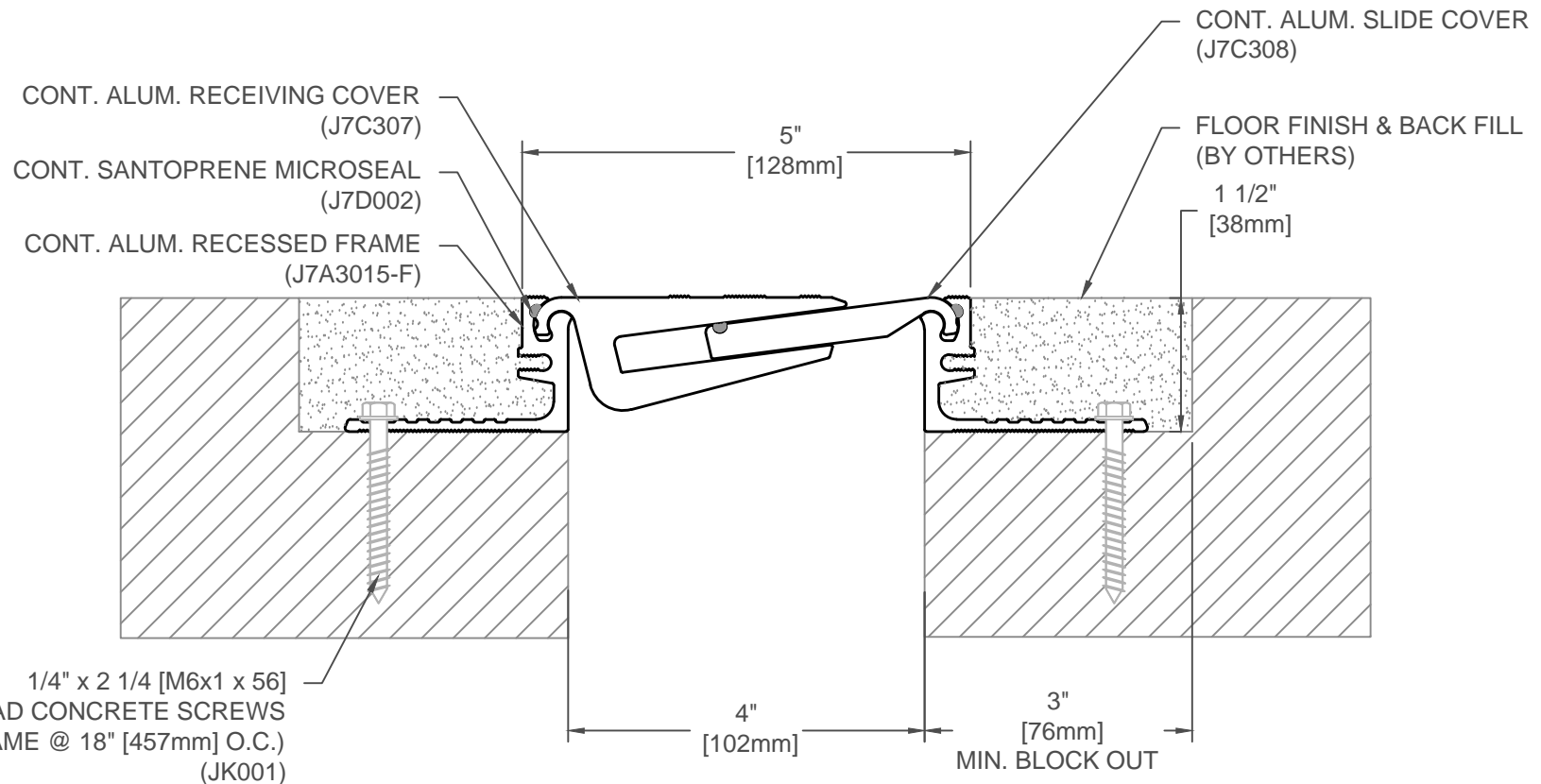
**• JOINTMASTER**  
 EXPANSION JOINT SYSTEMS  
 A DIVISION OF INPRO

DATE: 10/16/17  
 SCALE: 1:2  
 DOC: CADJM.194/R 1

FLOOR/FLOOR HEAVY DUTY  
 RECESSED MOUNT SLIDE PLATE

PROJECT:  
 CUSTOMER:  
 LOCATION:





### 733-A01-100

Joint Width		Movement ±			
		Horizontal		Vertical	
US	mm	US	mm	US	mm
4"	100	1"	25	1"	25

FINISH: MILL

**• JOINTMASTER**  
 EXPANSION JOINT SYSTEMS  
A DIVISION OF INPRO

DATE: 10/16/17  
 SCALE: 1:2  
 DOC: CADJM.194/R 1

FLOOR/FLOOR HEAVY DUTY  
 RECESSED MOUNT SLIDE PLATE

PROJECT: \_\_\_\_\_  
 CUSTOMER: \_\_\_\_\_  
 LOCATION: \_\_\_\_\_

