

### 733-A02-025

Joint Width		Movement ±			
		Horizontal		Vertical	
US	mm	US	mm	US	mm
1"	25	3/16"	5	1/8"	3

FINISH: MILL

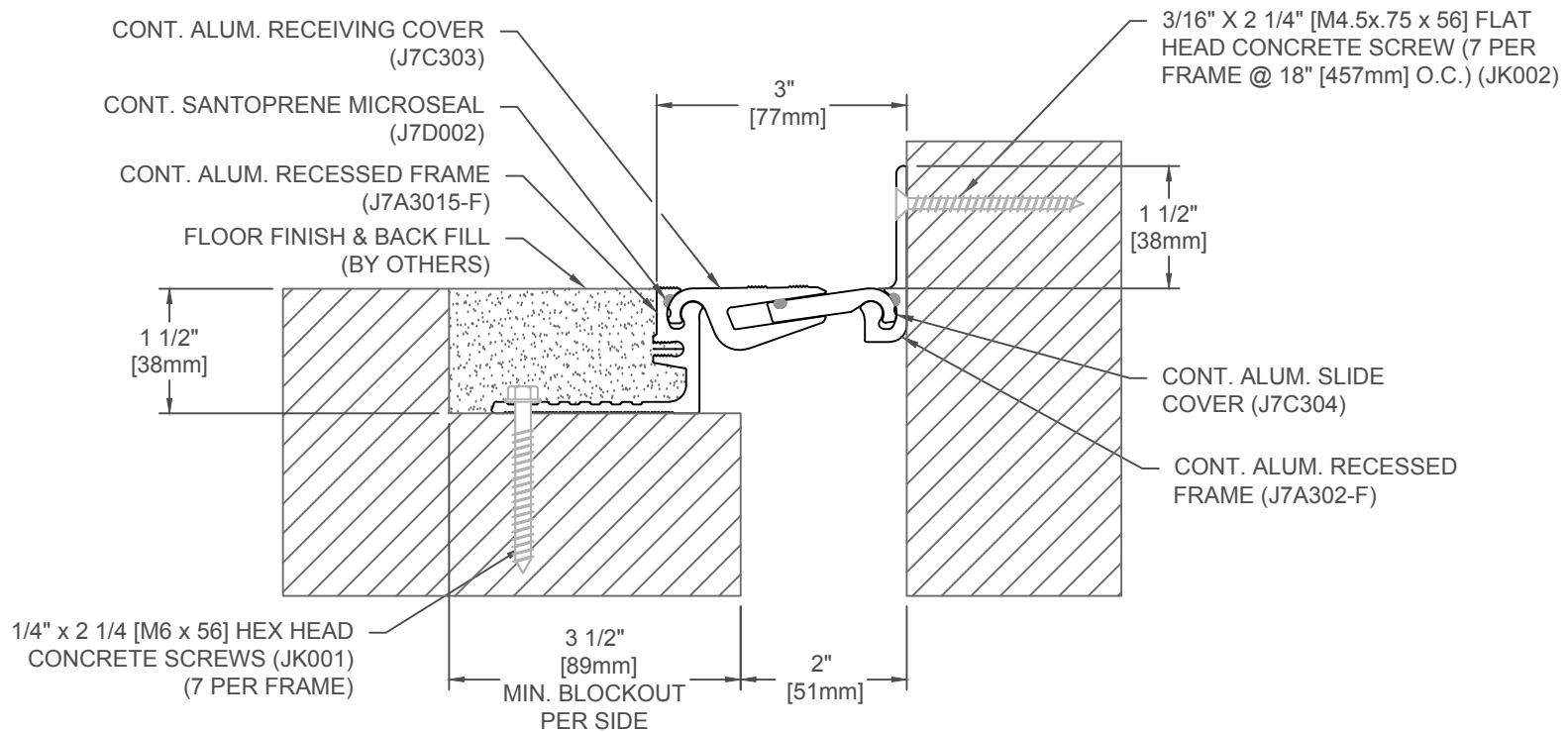
**• JOINTMASTER**  
 EXPANSION JOINT SYSTEMS  
 A DIVISION OF INPRO

DATE: 10/16/17  
 SCALE: 1:2  
 DOC: CADJM.195/R 2

FLOOR/FLOOR HEAVY DUTY  
 RECESSED MOUNT SLIDE PLATE

PROJECT:  
 CUSTOMER:  
 LOCATION:





## 733-A02-050

Joint Width		Movement ±			
		Horizontal		Vertical	
US	mm	US	mm	US	mm
2"	50	1/2"	12	1/2"	12

FINISH: MILL

**• JOINTMASTER®**  
EXPANSION JOINT SYSTEMS  
A DIVISION OF INPRO®

DATE: 10/16/17

SCALE: 1:2

DOC: CADJM.195/R 2

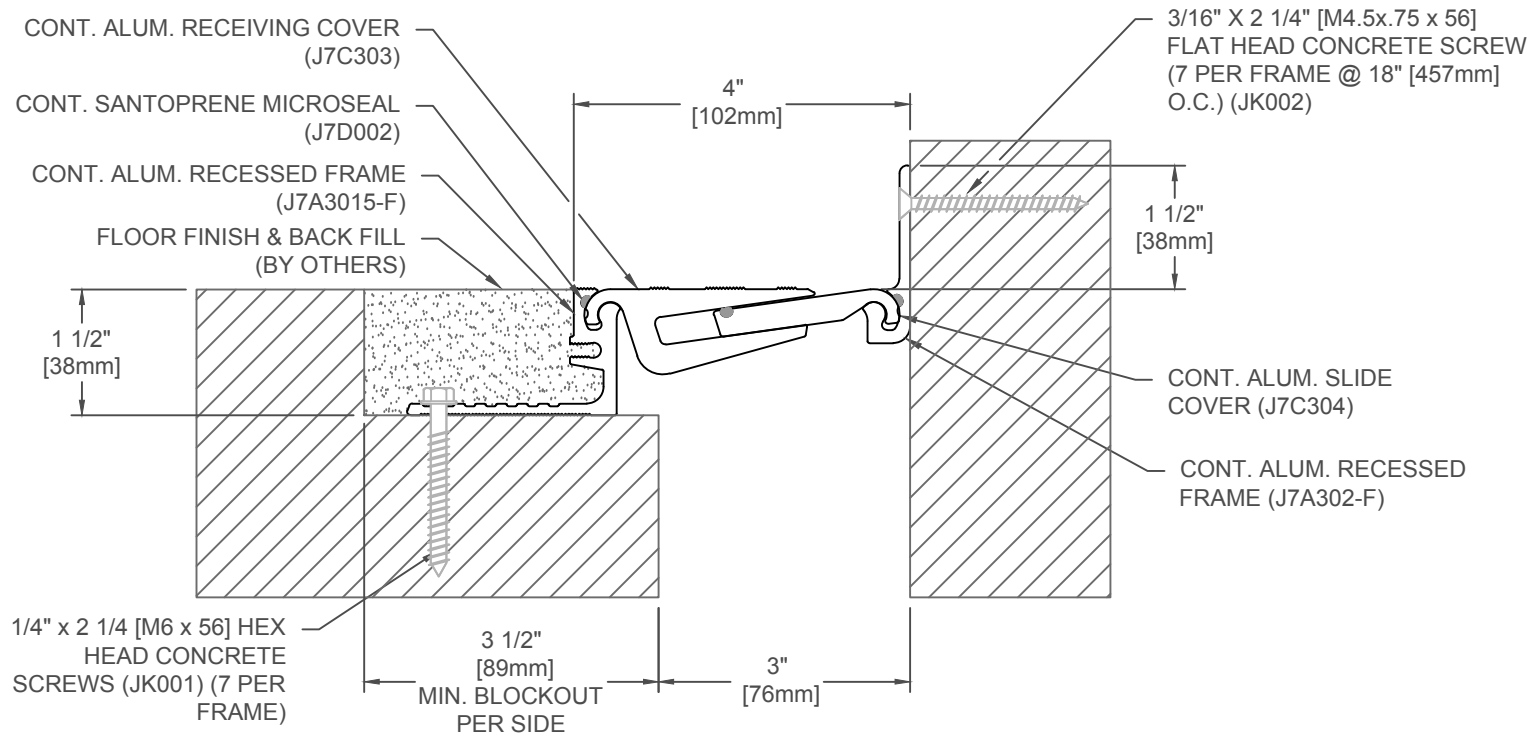
FLOOR/FLOOR HEAVY DUTY  
RECESSED MOUNT SLIDE PLATE

PROJECT:

CUSTOMER:

LOCATION:

**inpro.**



### 733-A02-075

Joint Width		Movement ±			
		Horizontal		Vertical	
US	mm	US	mm	US	mm
3"	75	3/4"	20	3/4"	20

FINISH: MILL

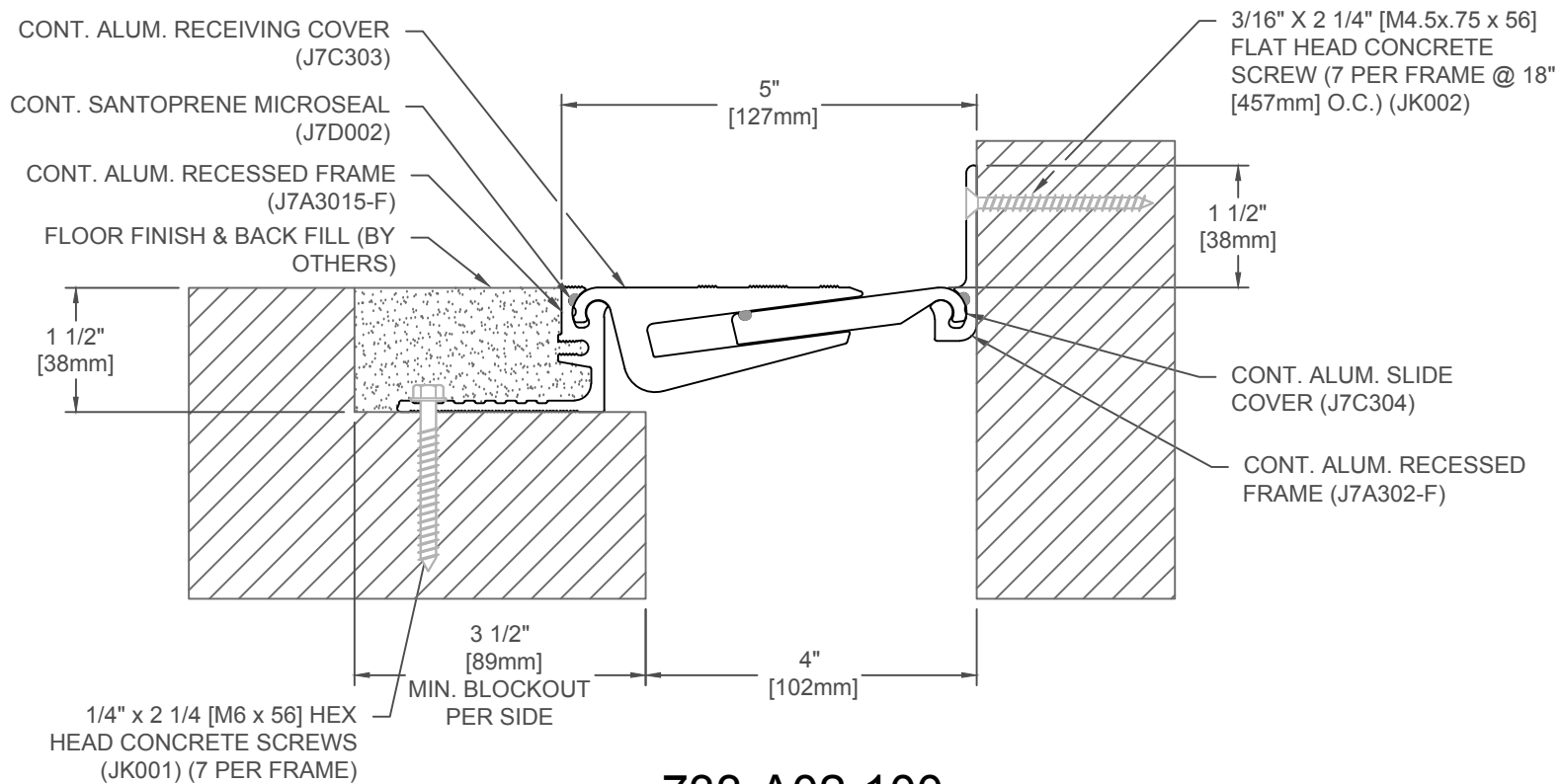
**• JOINTMASTER®**  
 EXPANSION JOINT SYSTEMS  
 A DIVISION OF INPRO®

DATE: 10/16/17  
 SCALE: 1:2  
 DOC: CADJM.195/R 2

FLOOR/FLOOR HEAVY DUTY  
 RECESSED MOUNT SLIDE PLATE

PROJECT:  
 CUSTOMER:  
 LOCATION:





### 733-A02-100

Joint Width		Movement ±			
		Horizontal		Vertical	
US	mm	US	mm	US	mm
4"	100	1"	25	1"	25

FINISH: MILL

**• JOINTMASTER®**  
EXPANSION JOINT SYSTEMS  
A DIVISION OF INPRO®

DATE: 10/16/17  
SCALE: 1:2  
DOC: CADJM.195/R 2

FLOOR/FLOOR HEAVY DUTY  
RECESSED MOUNT SLIDE PLATE

PROJECT:

CUSTOMER:

LOCATION:

**inpro.**