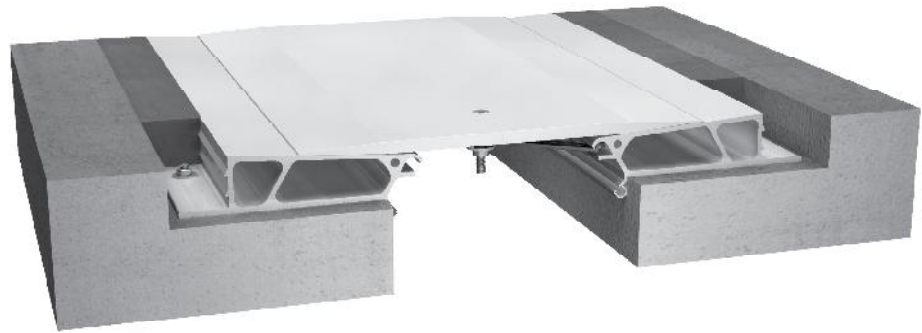


757 Series

A01 - Floor to Floor



Movement Rating ± 50%

Product
Guide



Seismic



Exterior



Interior



Fire Rated
Option



Vapor Barrier
Option



Heavy Duty

- ▶ Industry unique robust design for heavy duty applications.
- ▶ Tapered cover plate provides an ADA compliant low profile design that is self-leveling and allows for a seamless transition.
- ▶ Carpet and vinyl flooring can be secured under the cover plate for a reduced sightline, ideal for design scenarios where finish and strength are equally important.

Application	System	W		H1		H2		S		B		Movement +/-			
		Joint Width		Frame Height 1		Height 2		Sightline		Blockout		Horizontal		Vertical	
		US	mm	US	mm	US	mm	US	mm	US	mm	US	mm	US	mm
Floor to Floor	757-A01-100	4"	100	2"	51	*	*	13 1/2"	222	6 5/8"	102	2"	51	3/4"	152
	757-A01-150	6"	150	2"	51	*	*	15 1/2"	394	6 5/8"	206	3"	76	1 1/2"	178
	757-A01-200	8"	200	2"	51	*	*	17 1/2"	445	6 5/8"	206	4"	102	2"	203

*Contact your Inpro Representative for loading capabilities

IPC.920/REV.8

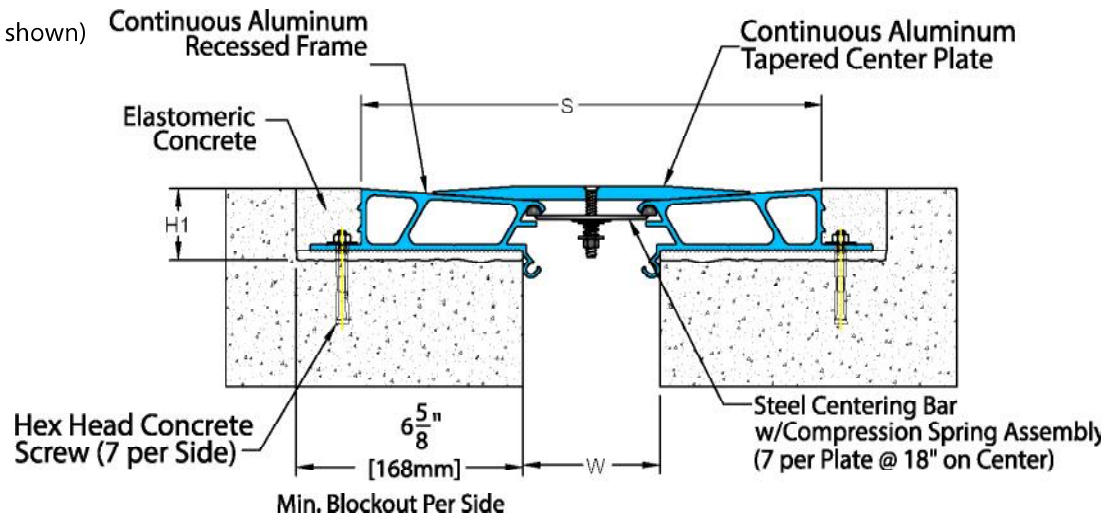
Inprocorp.com • 800.222.5556 • 262.679.9010
World Headquarters S80 W18766 Apollo Drive, Muskego, WI 53150 USA

JOINTMASTER •
EXPANSION JOINT SYSTEMS
A DIVISION OF INPRO®

757 Series

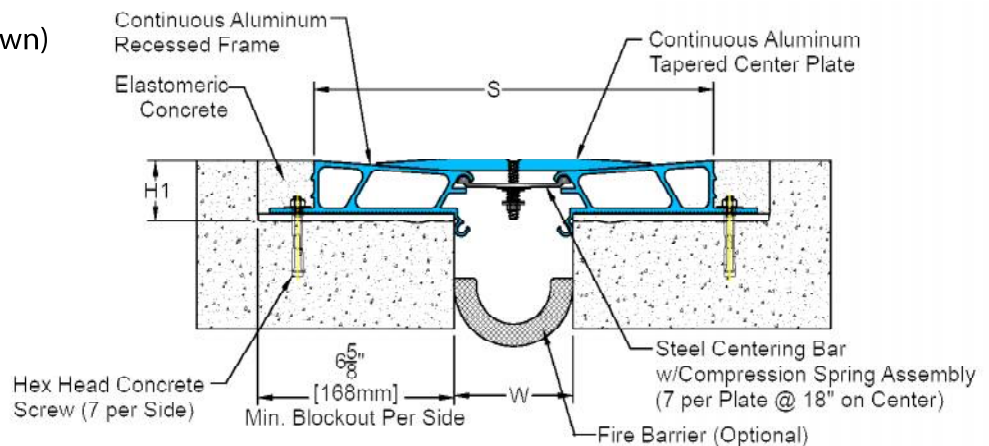
Heavy Duty Seismic Floor Systems

757-A01 Floor/Floor
(4" (100mm) system shown)



757 Series Options

Fire Barrier System
(757-A01-100 system shown)



Vapor Barrier System
(787-A01-100 system shown)

