

757-A01-100 SYSTEM

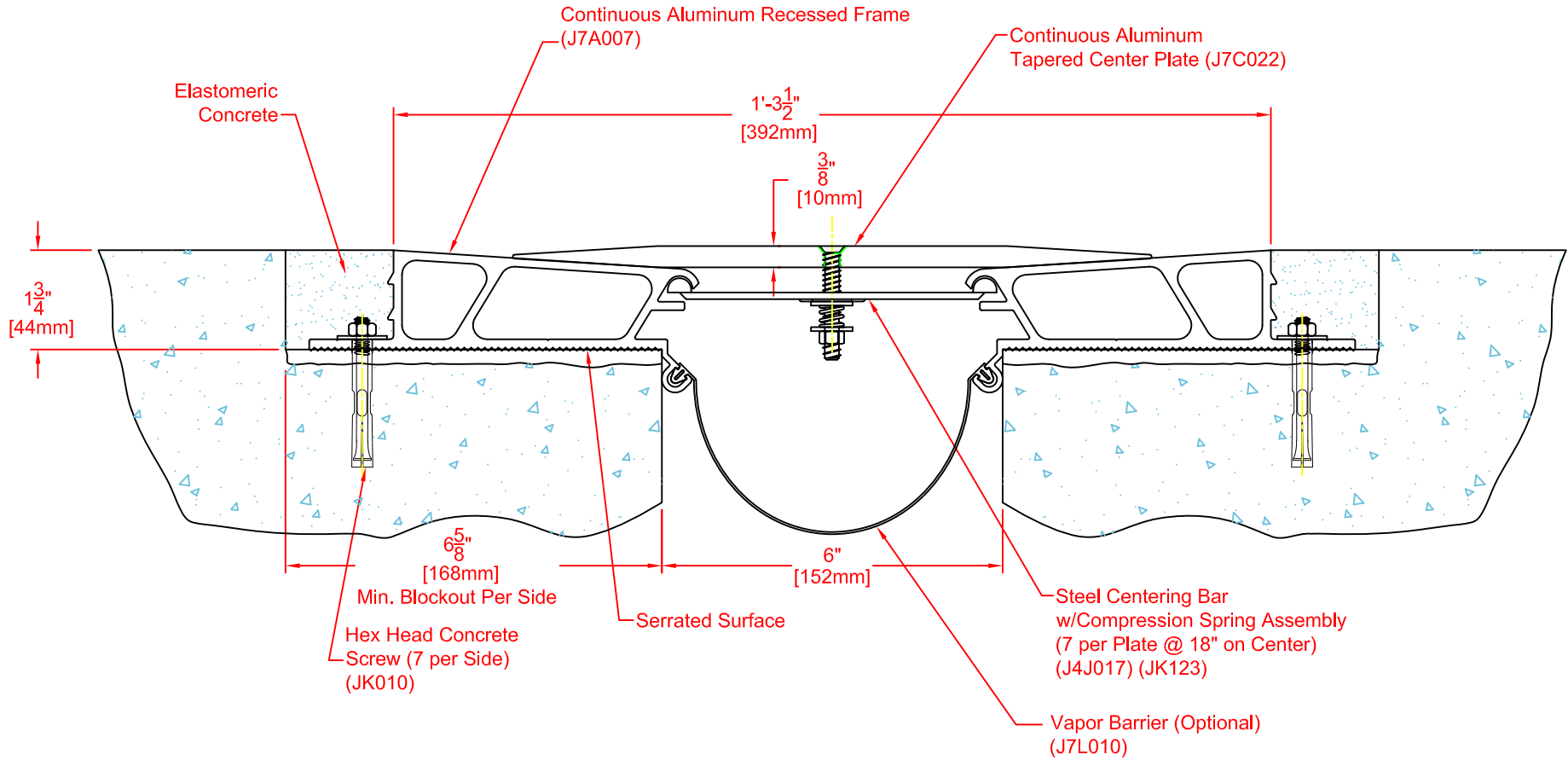
Joint Width		Movement ±			
		Horizontal		Vertical	
US	mm	US	mm	US	mm
4"	102	2"	51	3/4"	19

JOINTMASTER™
EXPANSION JOINT SYSTEMS

DATE: 10-18-07
SCALE: 1:3
DOC: CADJM.039/Rev1

APPLICATION-
RECESSED FLOOR/FLOOR CONDITION
WITH CENTER BAR

inpro.



757-A01-150 SYSTEM

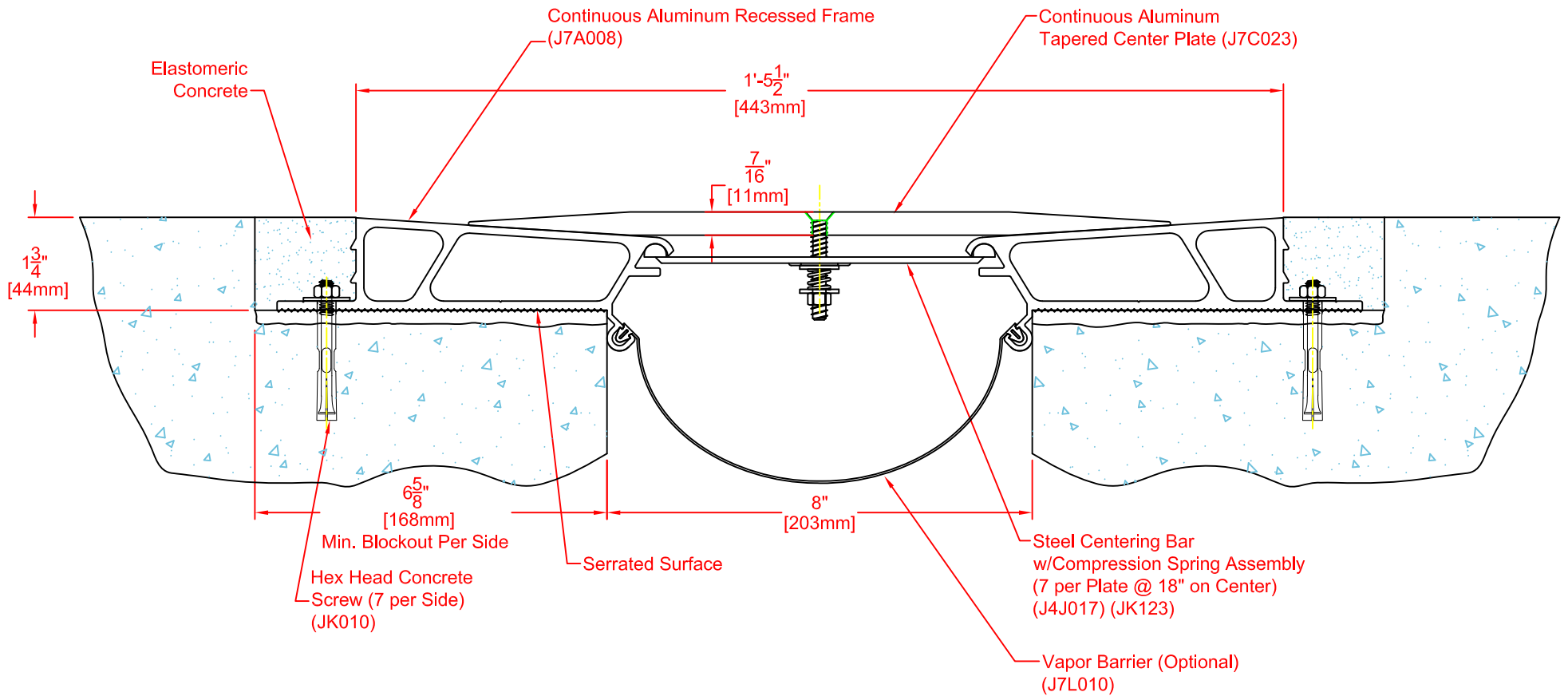
Joint Width		Movement ±			
		Horizontal		Vertical	
US	mm	US	mm	US	mm
6"	152	3"	76	1 1/2"	38

JOINTMASTER™
EXPANSION JOINT SYSTEMS

DATE: 10-18-07
SCALE: 1:3
DOC: CADJM.039/Rev1

APPLICATION-
RECESSED FLOOR/FLOOR CONDITION
WITH CENTER BAR

inpro.



757-A01-200 SYSTEM

Joint Width		Movement ±			
		Horizontal		Vertical	
US	mm	US	mm	US	mm
8"	203	4"	102	2"	51

JOINTMASTER™
EXPANSION JOINT SYSTEMS

DATE: 10-18-07
SCALE: 1:3
DOC: CADJM.039/Rev1

APPLICATION-
RECESSED FLOOR/FLOOR CONDITION
WITH CENTER BAR

inpro.