

Installation Instructions

800/800W/855/G2-800 Handrails

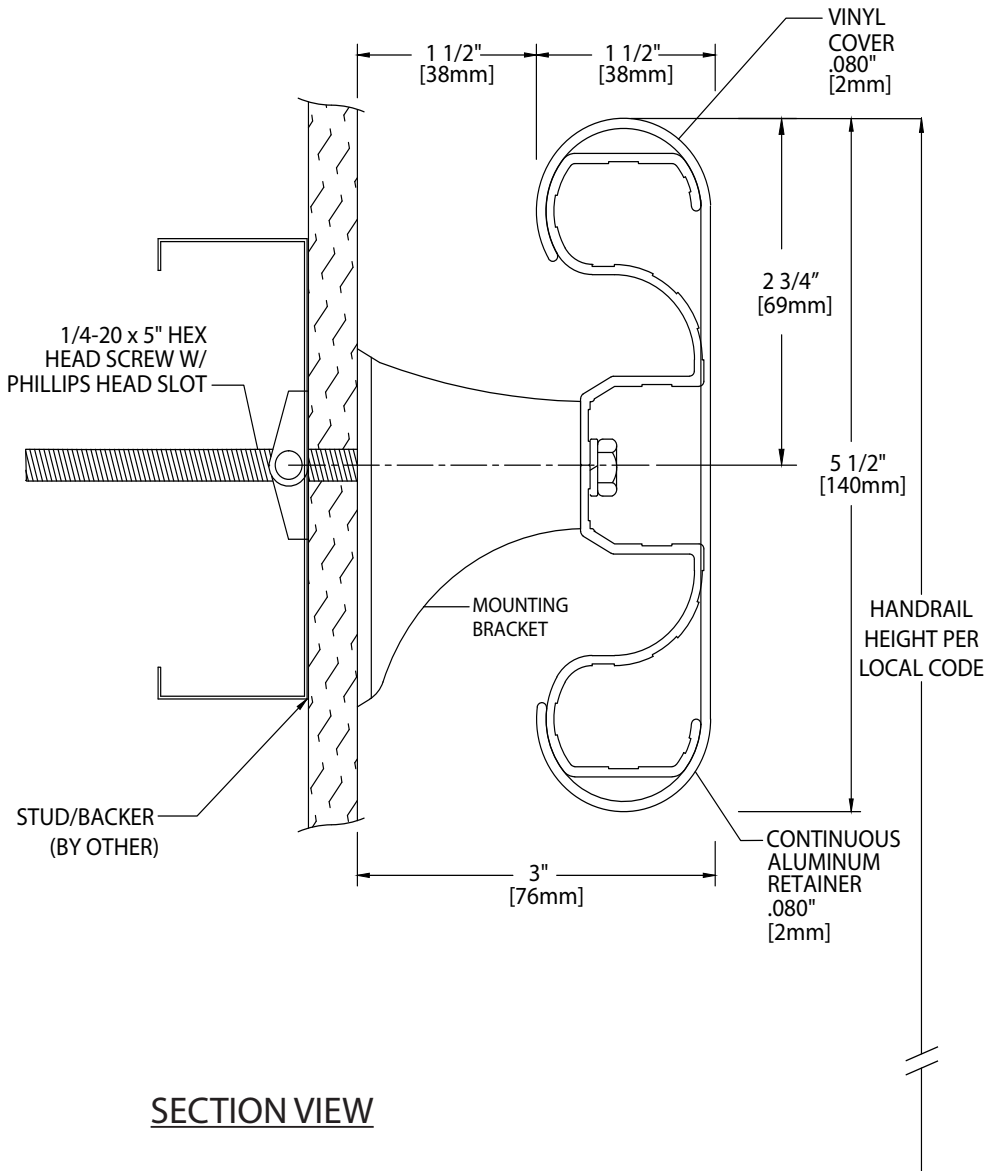
Please read all instructions before installing handrail.

Important

1. Acclimate materials 24 hrs before installation. Maintain temperature controlled environment after installation
2. Install in accordance with manufacturer's installation instructions. Failure to do so will void the warranty.

Installation tips

1. Cut covers up to 1/16" (1.6mm) longer to ensure a tight fit.
2. Lubricate blades when cutting aluminum to reduce burrs.



Recommended tools

Safety Glasses, Tape Measure, 3/8" socket for machine screw hex bolt, 7/16" socket for wood screw hex bolt Level, Power Drill, Drill Bits - 1/4" masonry (concrete/concrete block), Power Miter Saw, 10" Blade with 60-80 Carbide Tipped Teeth

IPC.321_REV 13

Installation Hotline • 866.EZINPRO
Inprocorp.com • 800.222.5556 • 262.679.9010
World Headquarters S80 W18766 Apollo Drive, Muskego, WI 53150 USA

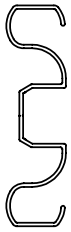
IPC®
DOOR + WALL PROTECTION SYSTEMS
A DIVISION OF INPRO®

Installation Instructions

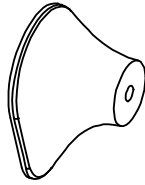
800/800W/855/G2-800 Handrails

Please read all instructions before installing handrail.

Components and fasteners



800A
CONTINUOUS
ALUMINUM RETAINER



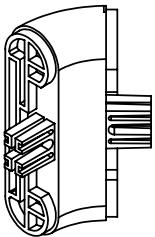
801
MOUNTING BRACKET



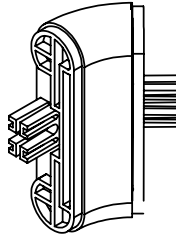
800V
COVER



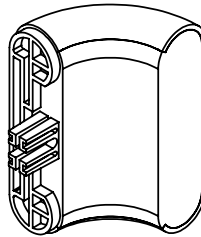
800HR
REVEAL
STANDARD ON
800W, G2-800



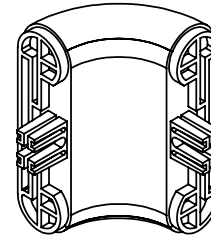
803135
135° OUTSIDE
CORNER



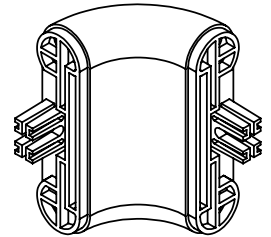
805135
135° INSIDE
CORNER



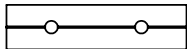
802
RETURN



803
90° OUTSIDE
CORNER



805
90° INSIDE
CORNER



804
SPLICE



1/4"
LOCK WASHER
SPRING REGULAR



1/4-20
FLANGED SCREW
HEX NUT



1/4-20 X 1
HEX WASHER
SCREW

Wall Condition	Specified Fasteners	Inpro Part #
Steel Stud/Gypsum Wall	1/4-20 x 5" Phillips hex head Bolt with toggle wing and lock washer	HWK-801D
Concrete/Concrete Block	1/4-20 x 5" Phillips hex head bolt with lead anchor and lock washer	HWK-801C
Wood Stud/Gypsum Wall	1/4" x 5" Hex Head Wood Screw and lock washer	HWK-801W
16 gauge steel Backer/Gypsum wall	#14 X 4" Indented hex washer, zink-plated TEK SCREW	HW69
Steel Stud or Metal Backer/Drywall (OSHDP)	1/4-20 x 5" Phillips hex head Bolt with lock washer and 1/4" Hilti Toggler	HWK-801OD
Concrete/Concrete Block (OSHDP)	1/4" x 4" Torx Hex Washer Head Screw (Hilti Kwik-Con II) and lock washer	HWK-801OC
Wood Stud or Wood Backer/Gypsum Wall (OSHDP)	1/4" x 5" Hex Head Wood Screw and lock washer	HWK-801OW

Installation Hotline • 866.EZINPRO
Inprocorp.com • 800.222.5556 • 262.679.9010

World Headquarters S80 W18766 Apollo Drive, Muskego, WI 53150 USA

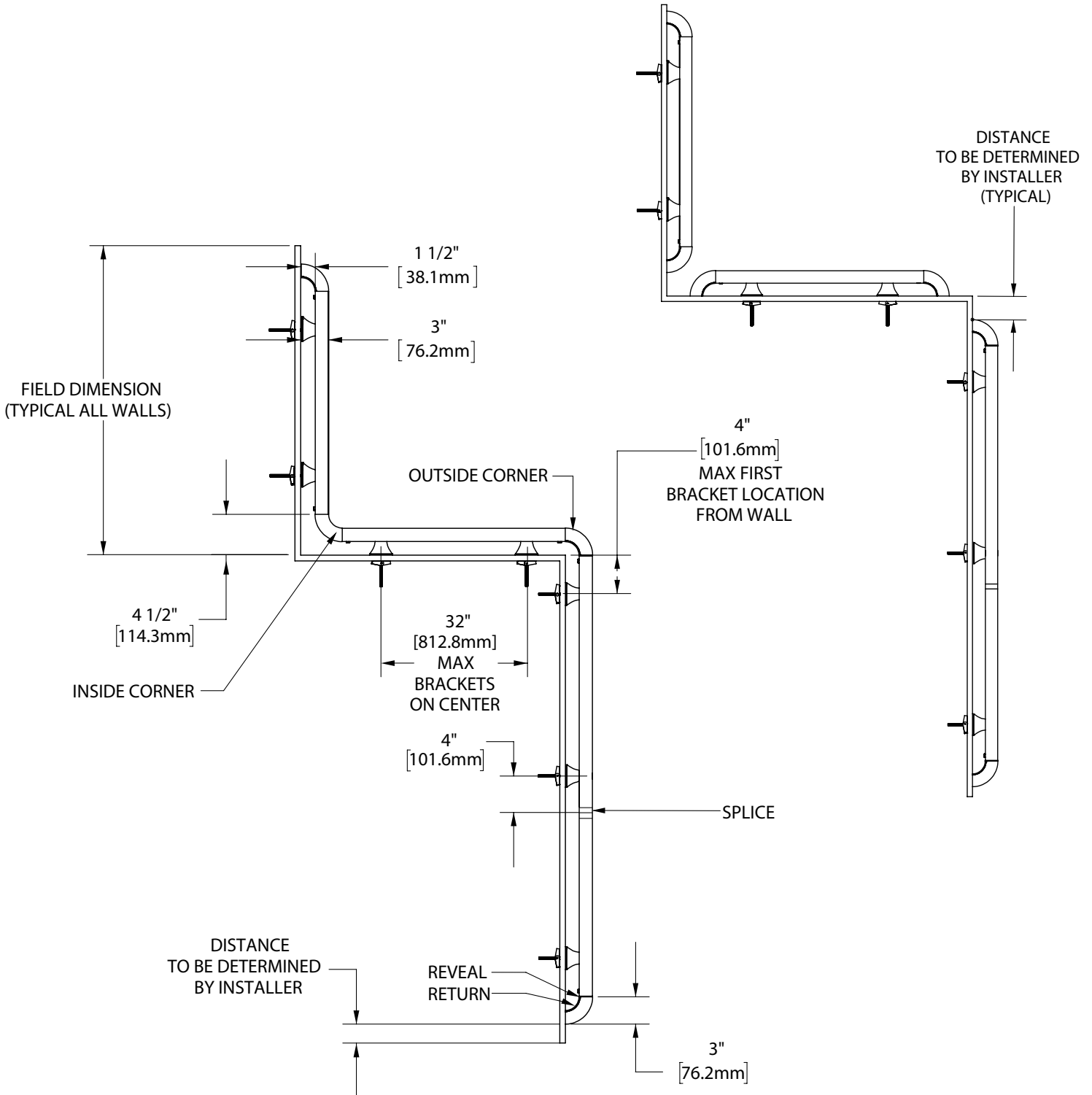
IPC®
DOOR + WALL PROTECTION SYSTEMS
A DIVISION OF INPRO®

Installation Instructions

800/800W/855/G2-800 Handrails

Please read all instructions before installing handrail.

Layout view



Installation Hotline • 866.EZINPRO

Inprocorp.com • 800.222.5556 • 262.679.9010

World Headquarters S80 W18766 Apollo Drive, Muskego, WI 53150 USA

IPC®

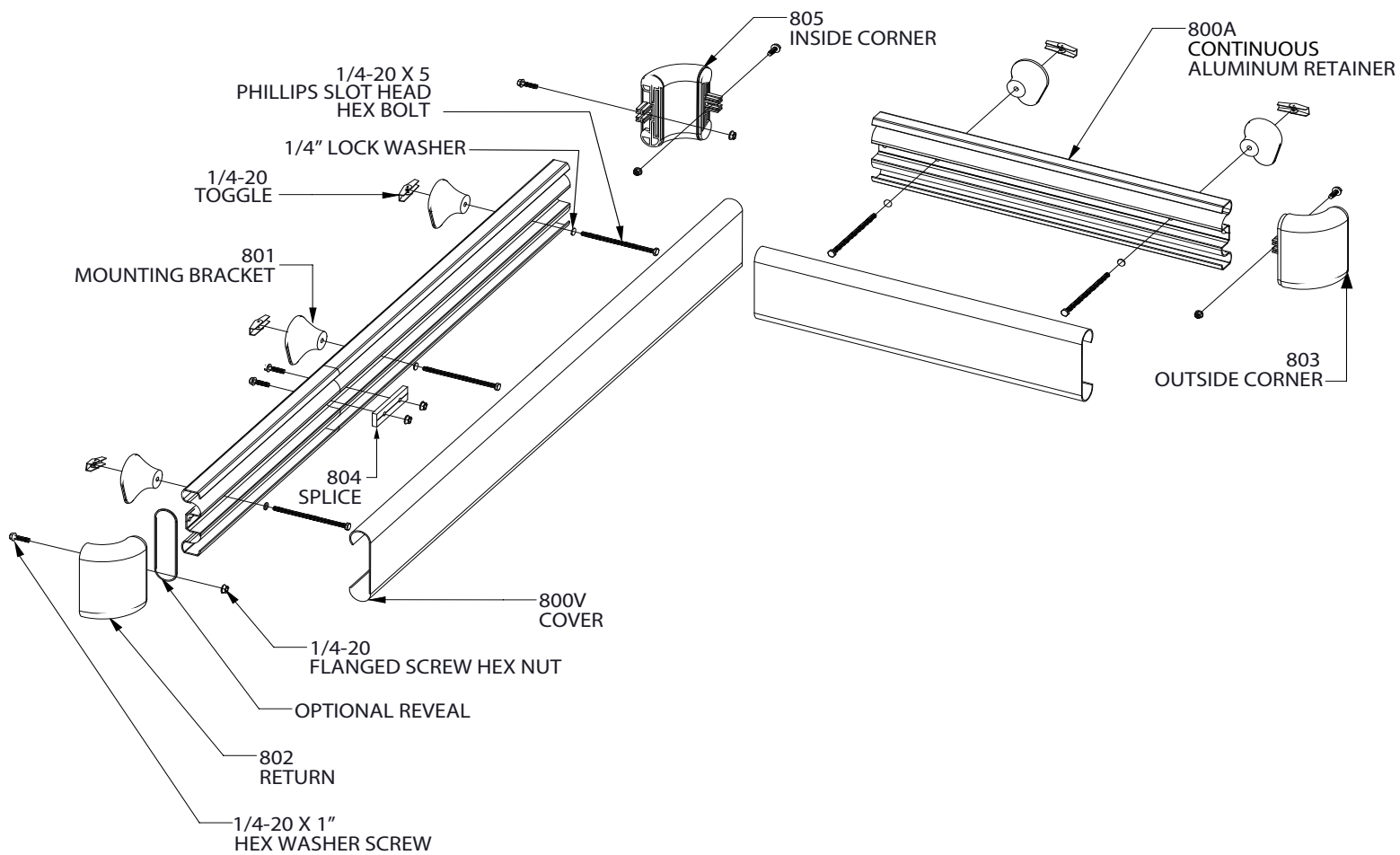
DOOR + WALL PROTECTION SYSTEMS
A DIVISION OF INPRO®

Installation Instructions

800/800W/855/G2-800 Handrails

Please read all instructions before installing handrail.

Exploded view assembly



Installation Hotline • 866.EZINPRO

Inprocorp.com • 800.222.5556 • 262.679.9010

World Headquarters S80 W18766 Apollo Drive, Muskego, WI 53150 USA

IPC •
DOOR + WALL PROTECTION SYSTEMS
A DIVISION OF INPRO®

Installation Instructions

800/800W/855/G2-800 Handrails

Please read all instructions before installing handrail.

FIG. 1

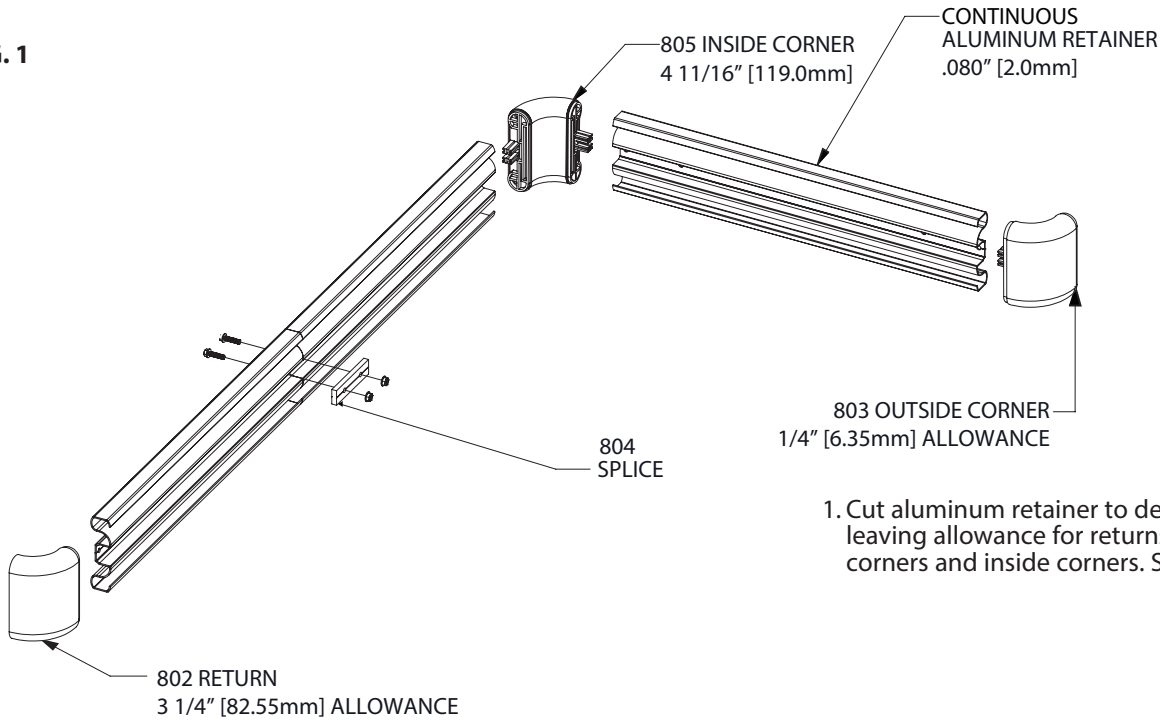
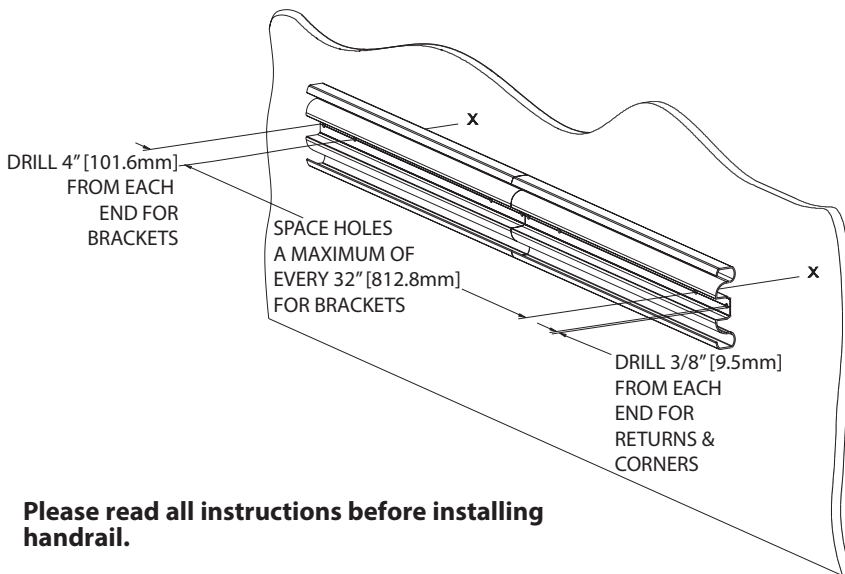


FIG. 2

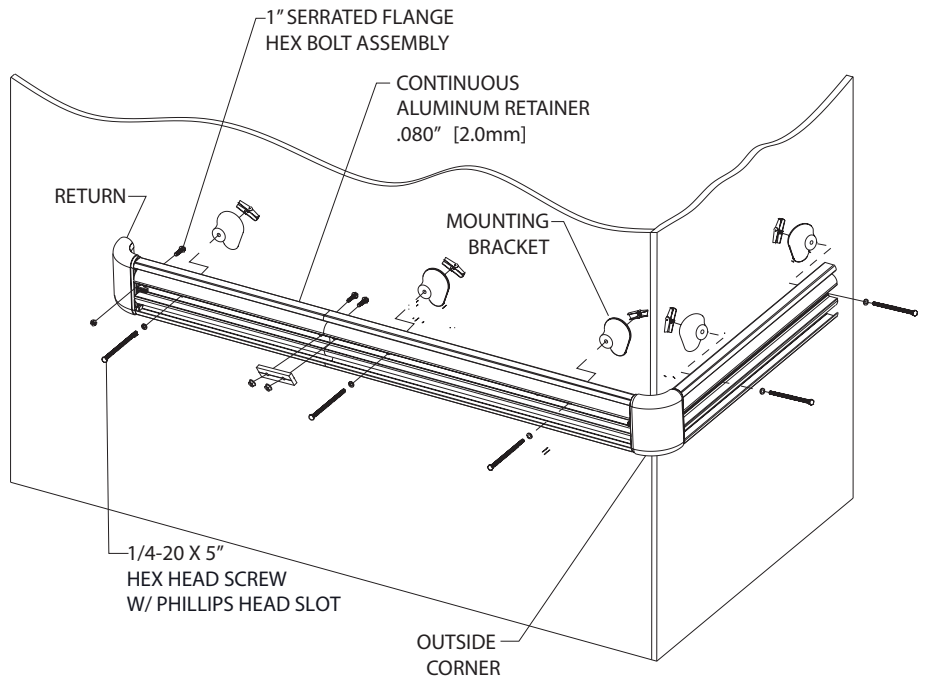


Please read all instructions before installing handrail.

Installation Instructions

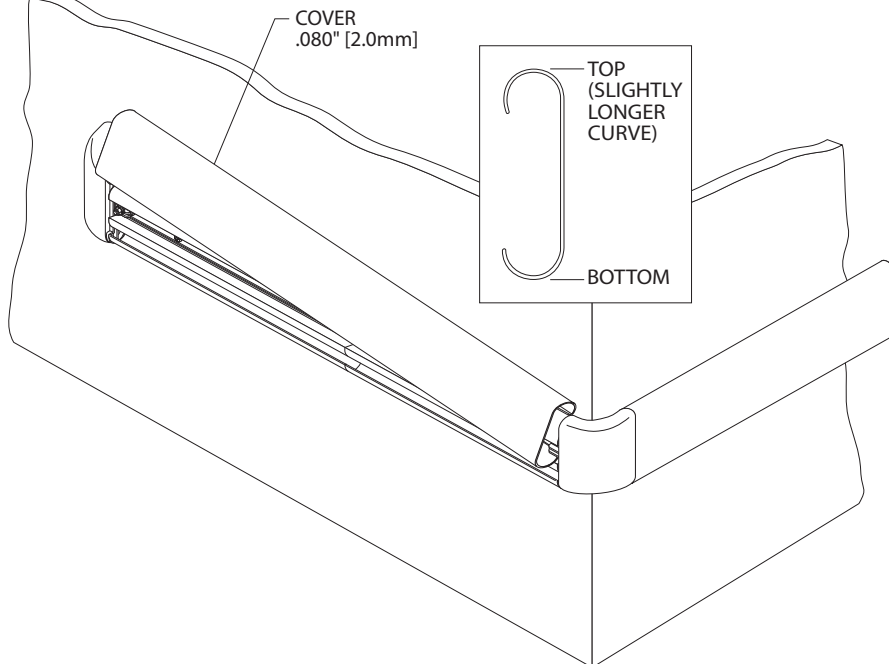
800/800W/855/G2-800 Handrails

FIG. 3



3. Attach returns and corners to retainer leaving a 1/16" (1.5mm) gap between returns/ corners and retainer to allow for adjustment. Loosely attach brackets to retainer. Mount on wall, level retainer and tighten screws to secure. See Figure 3.

FIG. 4



4. Cut cover to length between returns and/or corners. (Note: Distinct top and bottom for cover. Trim factory edges square before installation). Position cover on retainer and adjust returns and/or corners for a tight fit. Snap cover on retainer by starting at top and pivoting over the bottom of retainer. See Figure 4.

Note: For 855 Covers Only – When continuous runs are over 12' (3m), covers should be installed in consecutive order using the numbers found on the back of covers. This ensures proper alignment of accent strip.