

Installation Instructions

Joint System: 801-A01/A02

Note: Verify that the structural gap is in conformance with submittal data before beginning installation. If this is a Fire Rated Assembly, install the fire barrier before the Architectural Joint System. Refer to the fire barrier instructions for specific system installation.

FIG. 1 (801-A01 FLOOR TO FLOOR SHOWN)

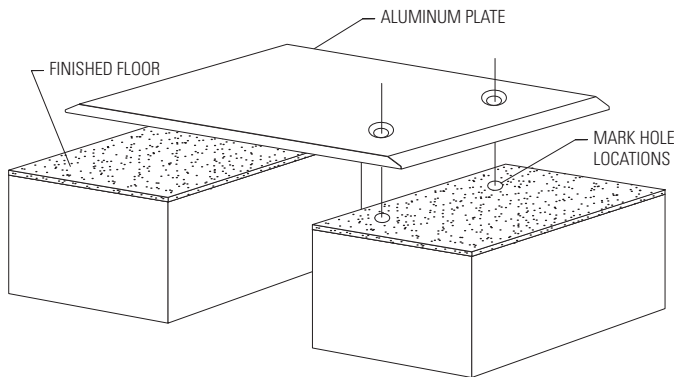


FIG. 1A (801-A02 FLOOR TO WALL SHOWN)

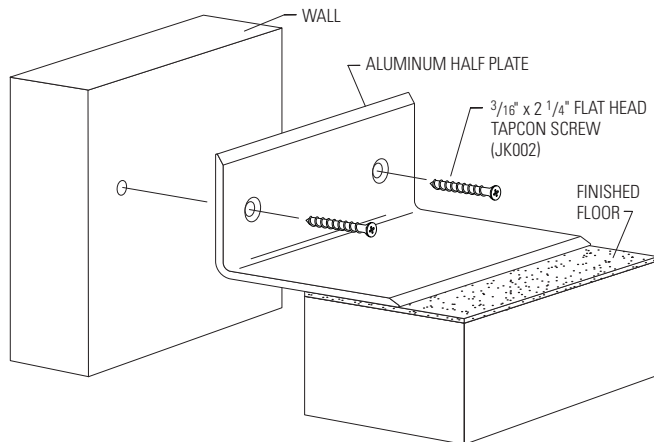
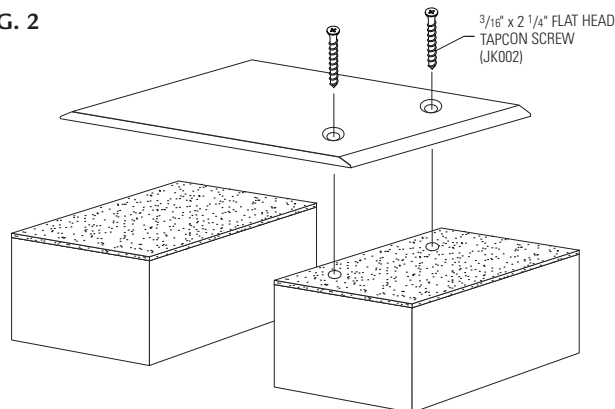


FIG. 2



1. Install the architectural joint system on a level finished floor. This may require adding leveling compound on top of the substrate to provide a smooth mounting surface.

Figure 1

2. Cut the aluminum plates to the desired length.
3. Place the plates over the structural gap.
 - 3a. For floor to floor (A01) condition, plate should be centered over the structural gap keeping the predrilled mounting holes on one side.
 - 3b. For floor to wall (A02) condition, short leg (predrilled hole side) should be placed firmly against the finished wall. Align level with the finished floor (see Figure 1a).
4. Mark the pre-drilled hole locations on the substrate.
5. Remove the plates.

Figure 2

6. Drill all marked holes on the substrate using a 1/8" (3mm) drill bit and drill 2-3/8" (60mm) deep.
7. Return the plates into position over the drilled hole locations and secure in place with JK002 3/16" x 21/4" flat head Tapcon screws.

IPC.878/REV.4



Installation Questions?

Contact our Installation Hotline 866.EZINPRO
For Sales & Customer Service call 800.222.5556

Installation Instructions

Joint System: 801-A01/A02

FIG. 3

(801-A01 completed installation)

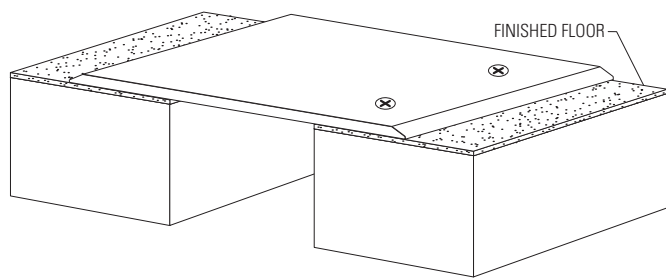
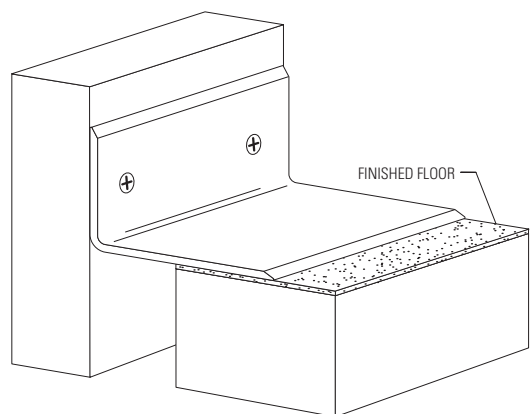


Figure 3

8. Clean the exposed surfaces with a non-solvent cleaner, such as 409, as required.

(801-A02 COMPLETED INSTALLATION)



Installation Questions?

Contact our Installation Hotline 866.EZINPRO
For Sales & Customer Service call 800.222.5556