

801-A01-025

Joint Width		Movement ±			
		Horizontal		Vertical	
US	mm	US	mm	US	mm
1"	25	1/2"	13	--	--

FINISH: MILL

JOINTMASTER
EXPANSION JOINT SYSTEMS
A DIVISION OF INPRO

DATE: 7-16-03

SCALE: 1:2

DOC: CADJM.045/Rev2

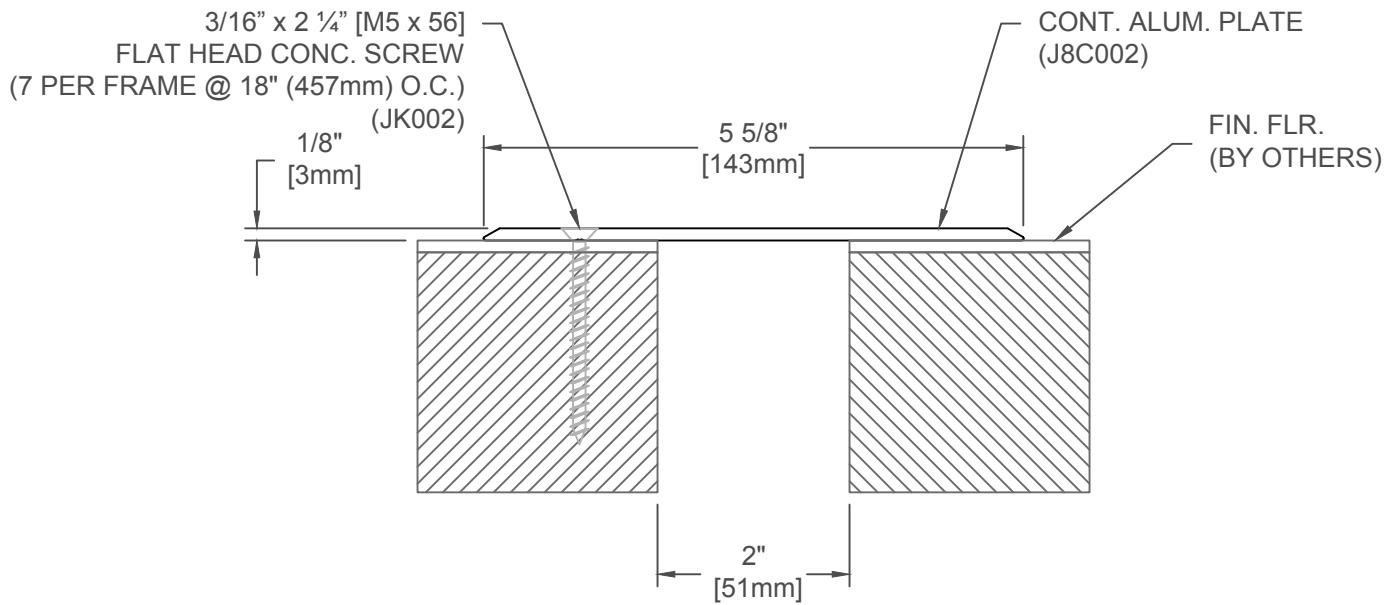
APPLICATION
FLOOR/FLOOR
STANDARD COVER PLATE

PROJECT:

CUSTOMER:

LOCATION:

inpro.



801-A01-050

Joint Width		Movement ±			
		Horizontal		Vertical	
US	mm	US	mm	US	mm
2"	51	1"	25	--	--

FINISH: MILL

• JOINTMASTER®
EXPANSION JOINT SYSTEMS
A DIVISION OF INPRO®

DATE: 7-16-03

SCALE: 1:2

DOC: CADJM.045/Rev2

APPLICATION
FLOOR/FLOOR
STANDARD COVER PLATE

PROJECT:

CUSTOMER:

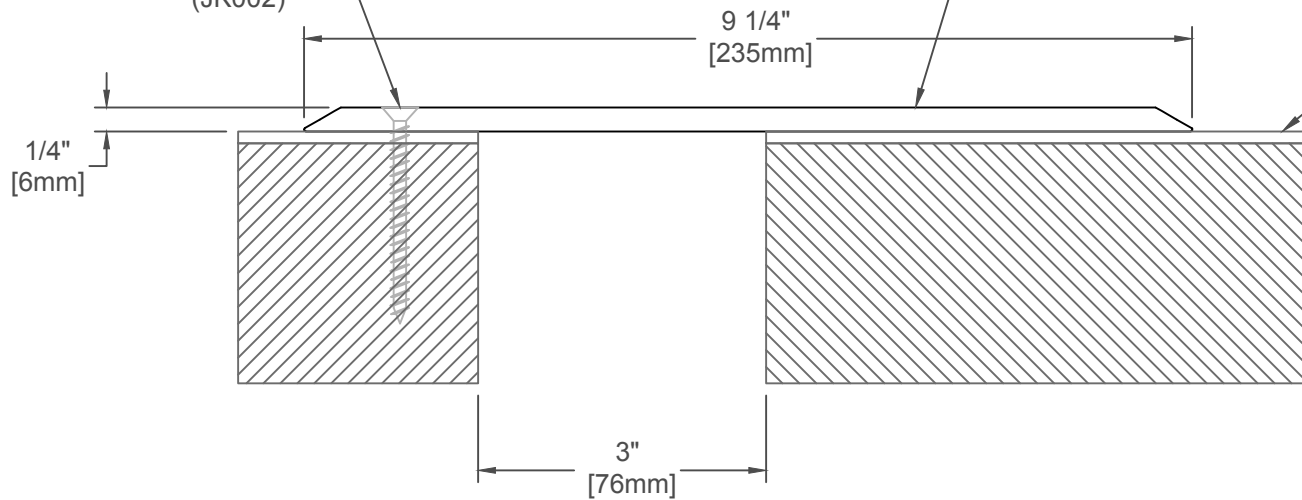
LOCATION:

inpro.

3/16" x 2 1/4" [M5 x 56]
 FLAT HEAD CONC. SCREW
 (7 PER FRAME @ 18" (457mm) O.C.)
 (JK002)

CONT. ALUM. PLATE
 (J8C005-F)

FIN. FLR.
 (BY OTHERS)



801-A01-075

Joint Width		Movement ±			
		Horizontal		Vertical	
US	mm	US	mm	US	mm
2"	51	1"	25	--	--

FINISH: MILL

• JOINTMASTER®
 EXPANSION JOINT SYSTEMS
 A DIVISION OF INPRO®

DATE: 4-14-15
 SCALE: 1:2
 DOC: CADJM.045/Rev2

APPLICATION
 FLOOR/FLOOR
 STANDARD COVER PLATE

PROJECT:

CUSTOMER:

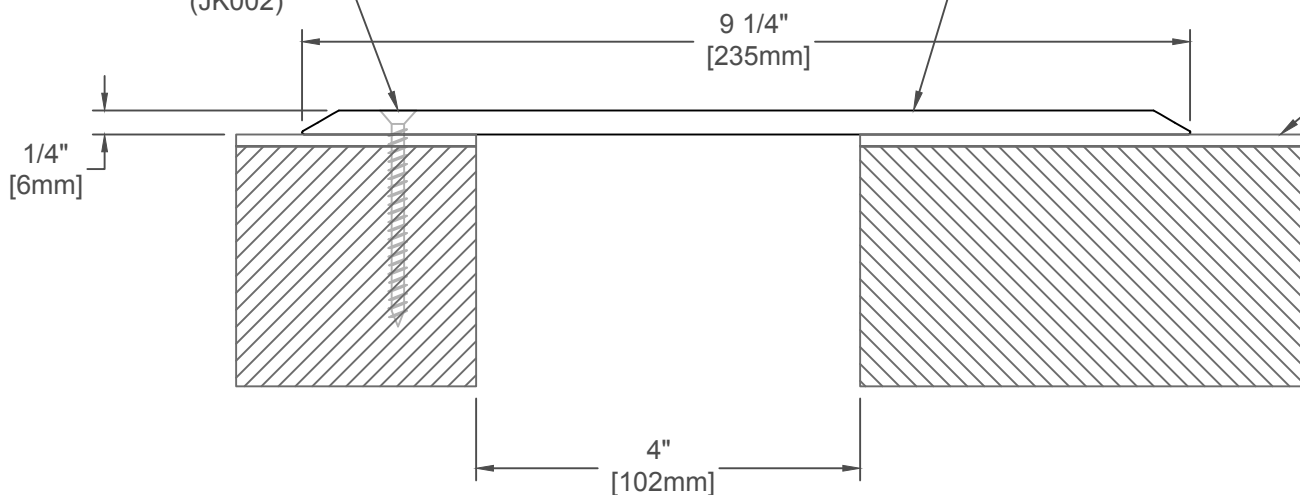
LOCATION:



3/16" x 2 1/4" [M5 x 56]
 FLAT HEAD CONC. SCREW
 (7 PER FRAME @ 18" (457mm) O.C.)
 (JK002)

CONT. ALUM. PLATE
 (J8C005-F)

FIN. FLR.
 (BY OTHERS)



801-A01-100

Joint Width		Movement ±			
		Horizontal		Vertical	
US	mm	US	mm	US	mm
4"	102	2"	51	--	--

FINISH: MILL

• JOINTMASTER®
 EXPANSION JOINT SYSTEMS
 A DIVISION OF INPRO®

DATE: 4-14-15
 SCALE: 1:2
 DOC: CADJM.045/Rev2

APPLICATION
 FLOOR/FLOOR
 STANDARD COVER PLATE

PROJECT:
 CUSTOMER:
 LOCATION:

