

801-A02-025

JOINT WIDTH		MOVEMENT ±			
		HORIZONTAL		VERTICAL	
US	mm	US	mm	US	mm
1"	25	1/2"	13	--	--

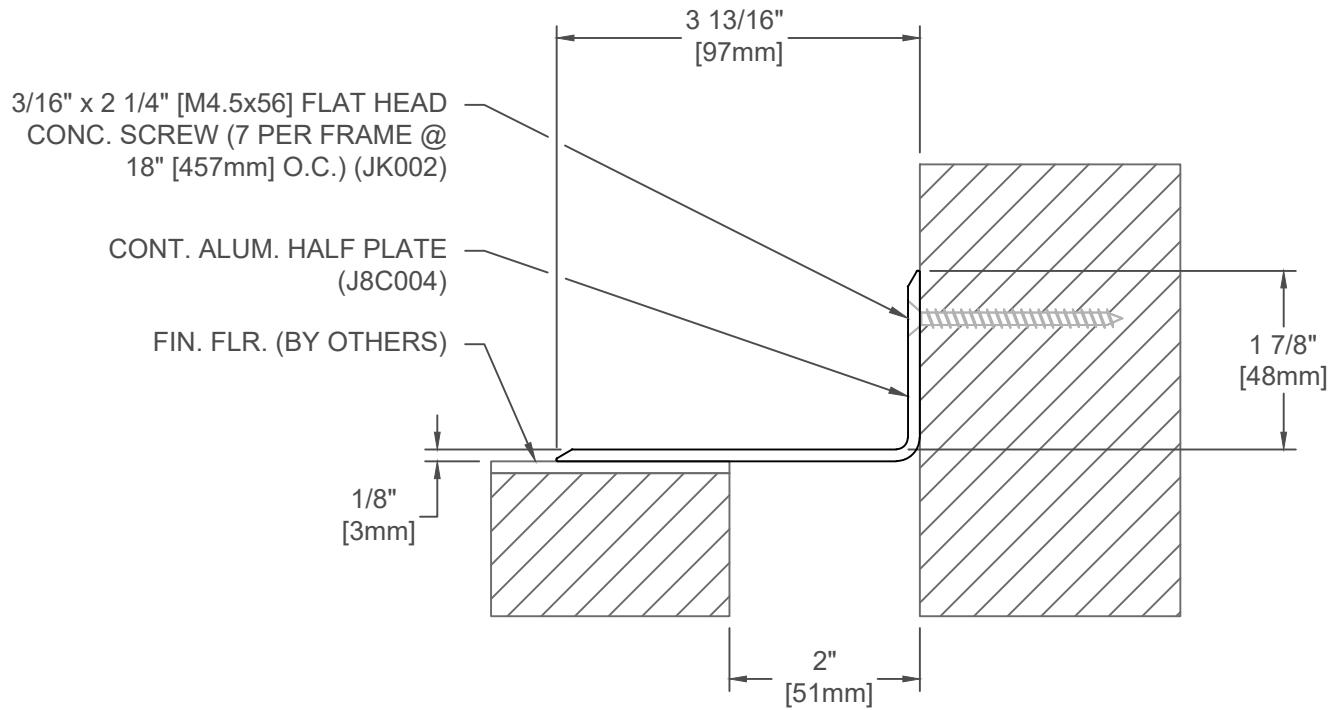
FINISH: MILL
PROJECT:
CUSTOMER:
LOCATION:

APPLICATION
FLOOR/WALL
STANDARD COVER PLATE

DATE:	7-16-03
SCALE:	1:2
DOC:	CADJM.046/R4

inpro.

For More Information Visit: Inprocorp.com



801-A02-050

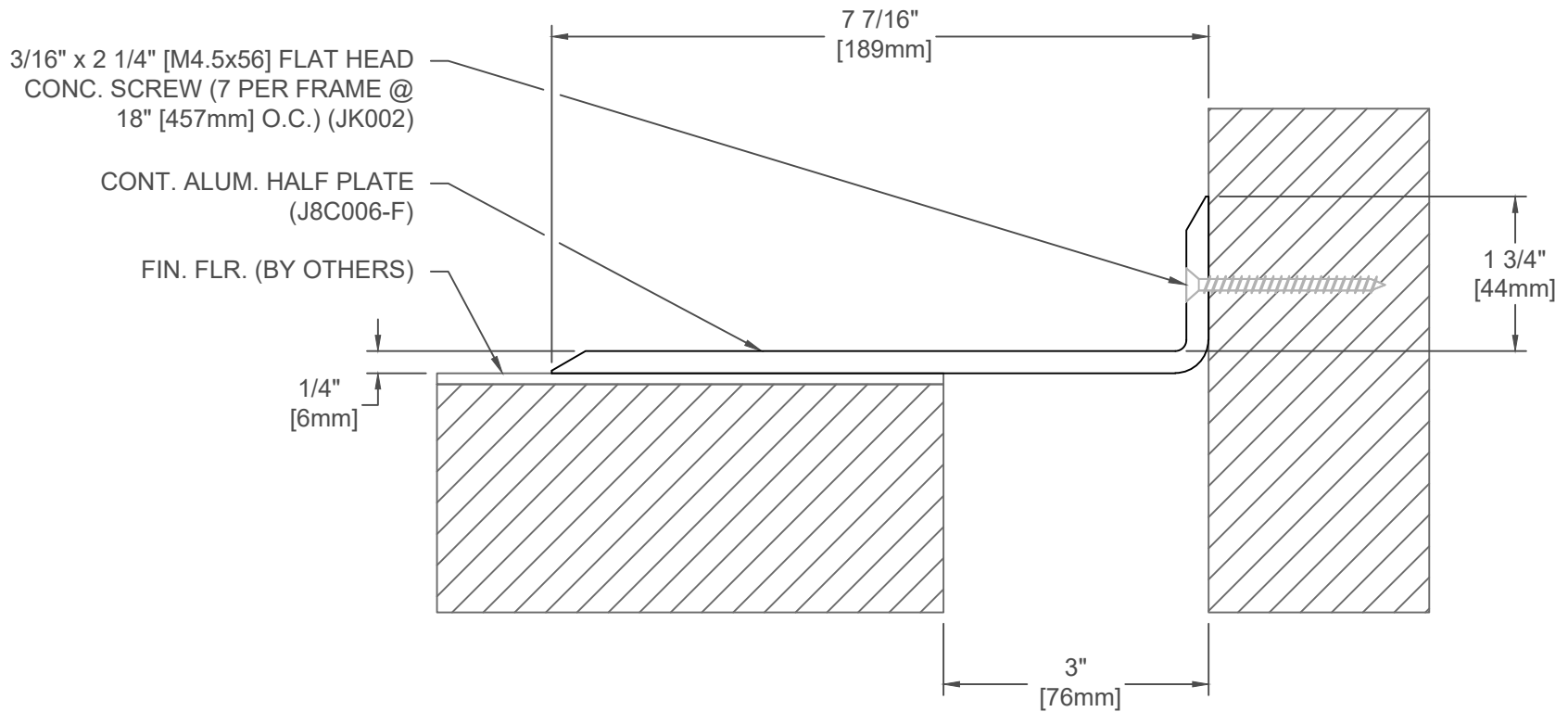
JOINT WIDTH		MOVEMENT ±			
		HORIZONTAL		VERTICAL	
US	mm	US	mm	US	mm
2"	51	1"	25	--	--

FINISH: MILL
PROJECT:
CUSTOMER:
LOCATION:

APPLICATION
FLOOR/WALL
STANDARD COVER PLATE

DATE:	7-16-03
SCALE:	1:2
DOC:	CADJM.046/R4





801-A02-075

JOINT WIDTH		MOVEMENT ±			
		HORIZONTAL		VERTICAL	
US	mm	US	mm	US	mm
3"	76	1-1/2"	38	--	--

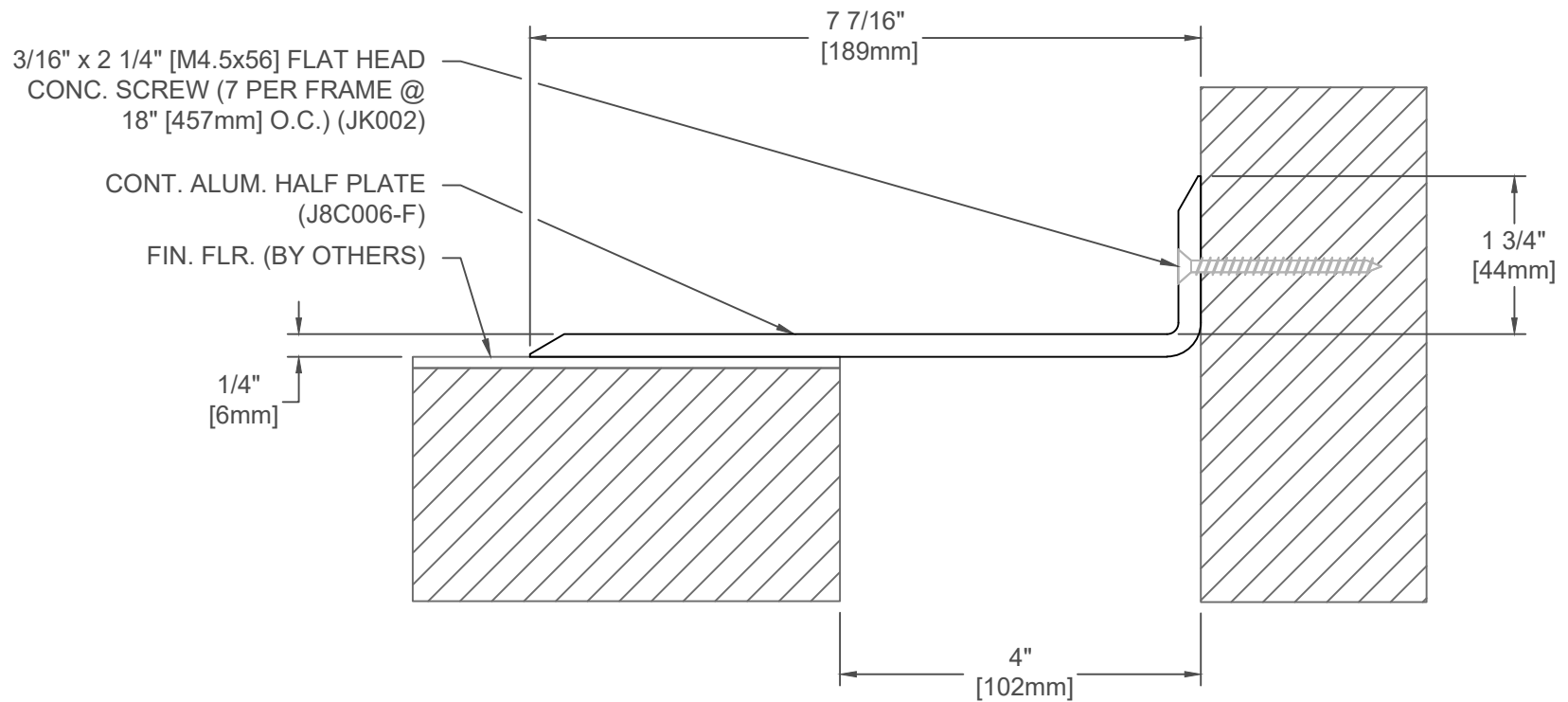
FINISH: MILL
PROJECT:
CUSTOMER:
LOCATION:

APPLICATION
FLOOR/WALL
STANDARD COVER PLATE

DATE:	4-14-15
SCALE:	1:2
DOC:	CADJM.046/R4



For More Information Visit: Inprocorp.com



801-A02-100

JOINT WIDTH		MOVEMENT ±			
		HORIZONTAL		VERTICAL	
US	mm	US	mm	US	mm
4"	102	2"	51	--	--

FINISH: MILL
PROJECT:
CUSTOMER:
LOCATION:

APPLICATION
FLOOR/WALL
STANDARD COVER PLATE

DATE:	4-14-15
SCALE:	1:2
DOC:	CADJM.046/R4