

802-A01-050/3

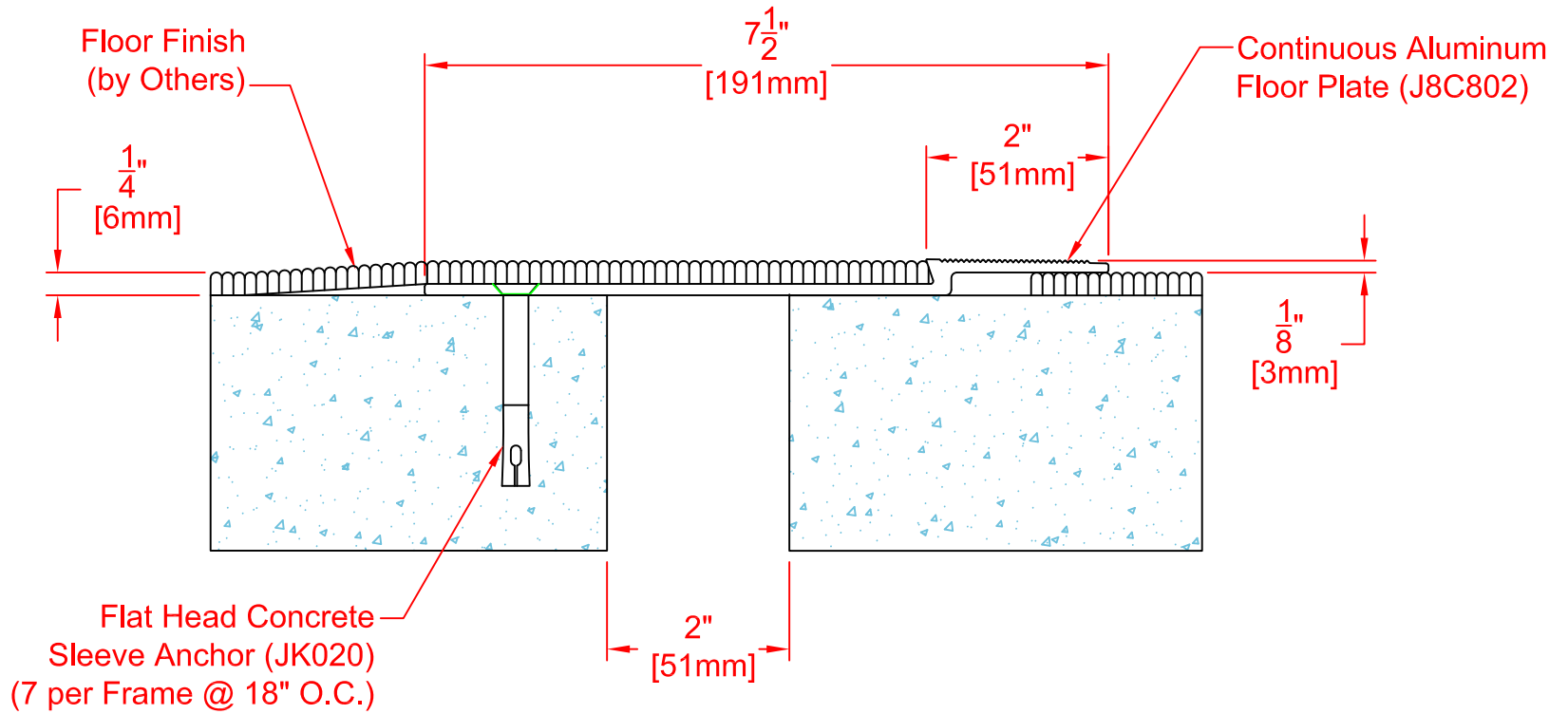
Joint Width		Movement ±			
		Horizontal		Vertical	
US	mm	US	mm	US	mm
2"	51	1/2"	13	--	--

**JOINTMASTER**<sup>®</sup>  
EXPANSION JOINT SYSTEMS

DATE: 4-30-08  
SCALE: 1:2  
DOC:CADJM.051/Rev1

APPLICATION-  
FLOOR/FLOOR COVER PLATE  
FOR VCT CONDITION

**inpro**<sup>®</sup>



### 802-A01-050/6

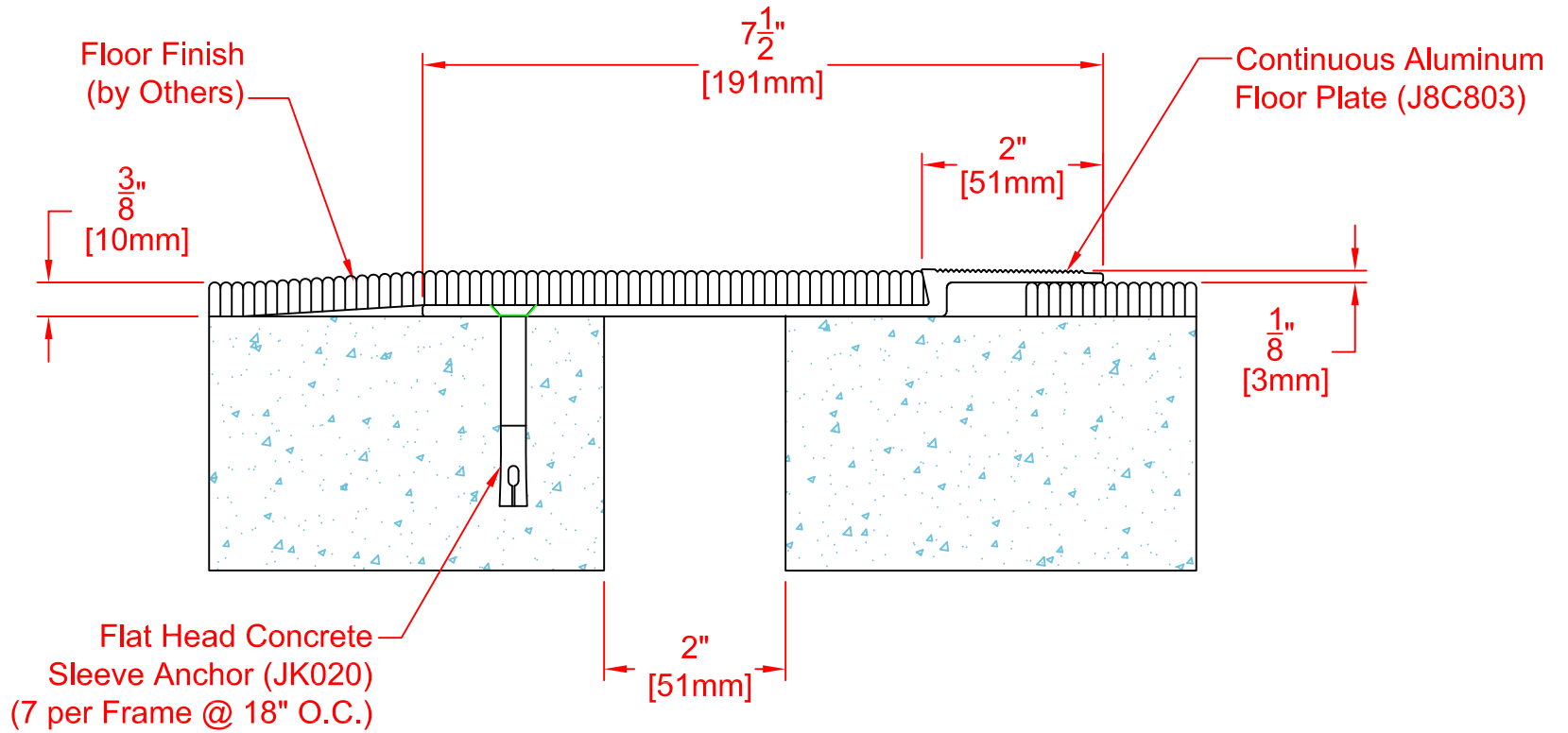
Joint Width		Movement ±			
		Horizontal		Vertical	
US	mm	US	mm	US	mm
2"	51	1/2"	13	--	--

**JOINTMASTER**<sup>®</sup>  
EXPANSION JOINT SYSTEMS

DATE: 4-30-08  
SCALE: 1:2  
DOC:CADJM.051/Rev1

APPLICATION-  
FLOOR/FLOOR COVER PLATE  
FOR CARPET CONDITION

**inpro**<sup>®</sup>



## 802-A01-050/10

Joint Width		Movement ±			
		Horizontal		Vertical	
US	mm	US	mm	US	mm
2"	51	1/2"	13	--	--

**JOINTMASTER**<sup>®</sup>  
EXPANSION JOINT SYSTEMS

DATE: 4-30-08  
SCALE: 1:2  
DOC:CADJM.051/Rev1

APPLICATION-  
FLOOR/FLOOR COVER PLATE  
FOR CARPET CONDITION

**inpro**<sup>®</sup>