

804-A01-025

Joint Width		Movement ±			
		Horizontal		Vertical	
US	mm	US	mm	US	mm
1"	25	1/2"	13	1/8"	3

FINISH: MILL

• JOINTMASTER®
EXPANSION JOINT SYSTEMS
A DIVISION OF INPRO®

DATE: 9-30-05
SCALE: 1:1
DOCCADJM.047Rev2

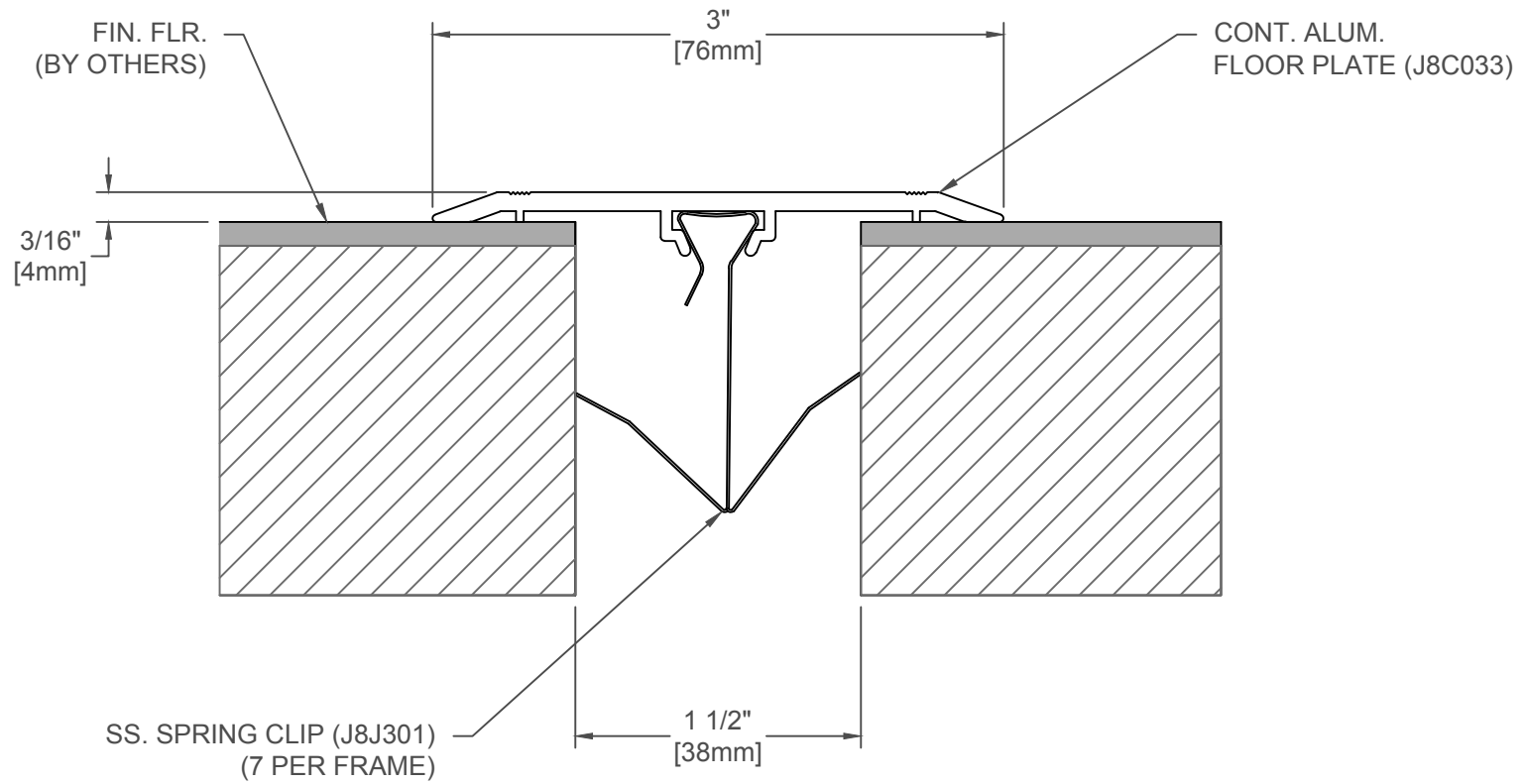
APPLICATION-
COVER PLATE CONDITION
FLOOR/FLOOR

PROJECT:

CUSTOMER:

LOCATION:

inpro.



804-A01-038

Joint Width		Movement ±			
		Horizontal		Vertical	
US	mm	US	mm	US	mm
1 1/2"	38	3/4"	19	1/8"	3

FINISH: MILL

• JOINTMASTER®
EXPANSION JOINT SYSTEMS
A DIVISION OF INPRO®

DATE: 9-30-05

SCALE: 1:1

DOCCADJM.047Rev2

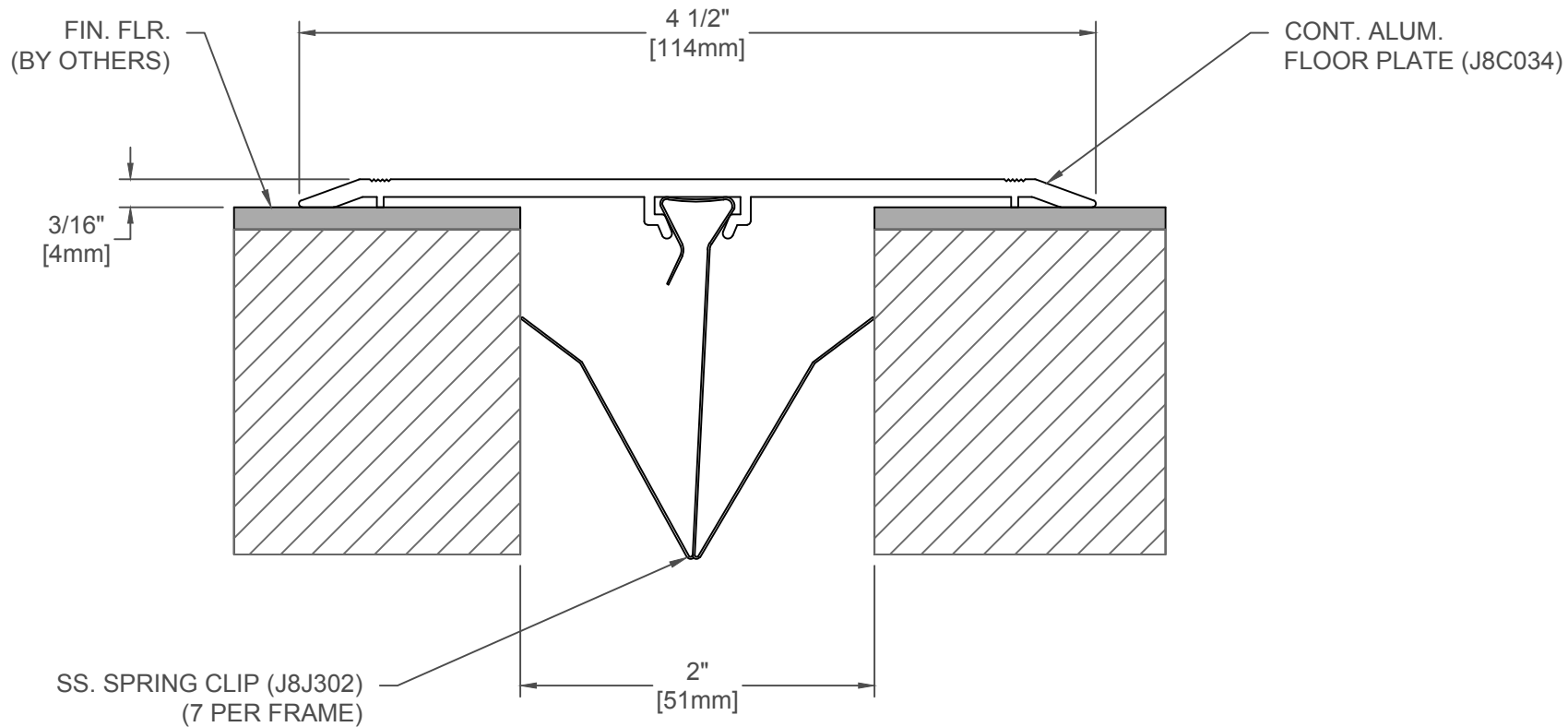
APPLICATION-
COVER PLATE CONDITION
FLOOR/FLOOR

PROJECT:

CUSTOMER:

LOCATION:

inpro.



804-A01-050

Joint Width		Movement ±			
		Horizontal		Vertical	
US	mm	US	mm	US	mm
2"	51	1"	25	1/8"	3

FINISH: MILL

JOINTMASTER
EXPANSION JOINT SYSTEMS
A DIVISION OF INPRO

DATE: 9-30-05
SCALE: 1:1
DOCCADJM.047Rev2

APPLICATION-
COVER PLATE CONDITION
FLOOR/FLOOR

PROJECT:

CUSTOMER:

LOCATION:

inpro.