

804-A02-025

| JOINT WIDTH | | MOVEMENT ± | | | |
|-------------|----|------------|----|----------|----|
| | | HORIZONTAL | | VERTICAL | |
| US | mm | US | mm | US | mm |
| 1" | 25 | 1/2" | 13 | 1/8" | 3 |

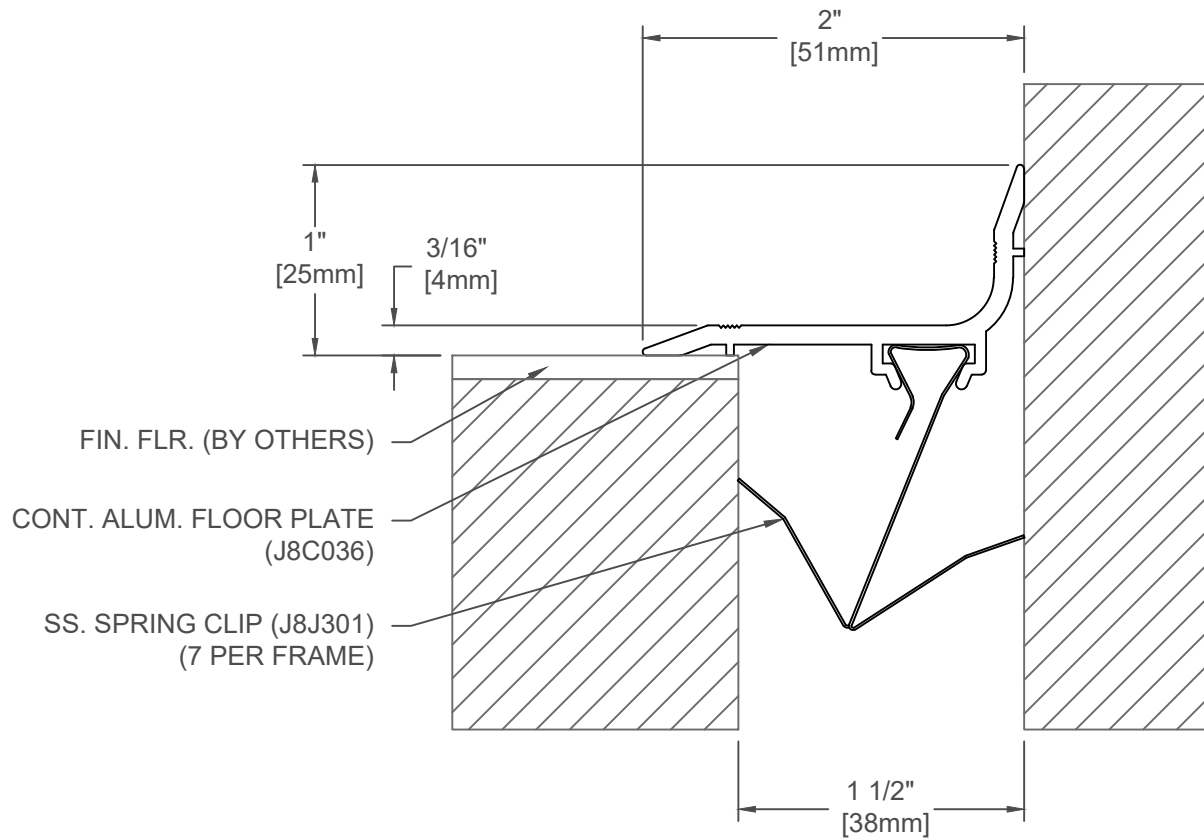
| |
|--------------|
| FINISH: MILL |
| PROJECT: |
| CUSTOMER: |
| LOCATION: |

APPLICATION-
COVER PLATE CONDITION
FLOOR/WALL

| | |
|--------|-------------|
| DATE: | 9-30-05 |
| SCALE: | 1:1 |
| DOC: | CADJM.048R2 |

inpro.

For More Information Visit: Inprocorp.com



804-A02-038

| JOINT WIDTH | | MOVEMENT ± | | | |
|-------------|----|------------|----|----------|----|
| | | HORIZONTAL | | VERTICAL | |
| US | mm | US | mm | US | mm |
| 1 1/2" | 38 | 3/8" | 13 | 1/8" | 3 |

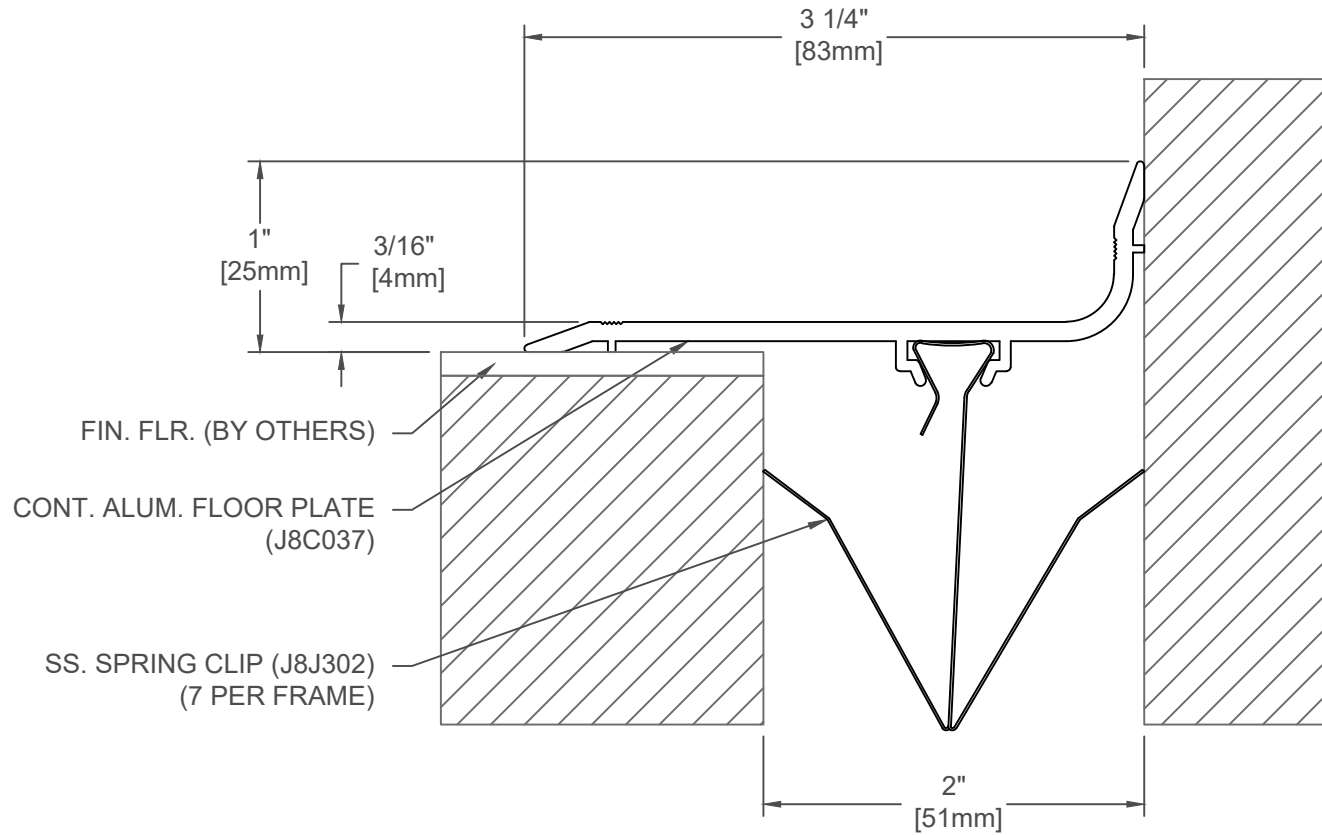
| |
|--------------|
| FINISH: MILL |
| PROJECT: |
| CUSTOMER: |
| LOCATION: |

APPLICATION-
COVER PLATE CONDITION
FLOOR/WALL

| | |
|--------|-------------|
| DATE: | 9-30-05 |
| SCALE: | 1:1 |
| DOC: | CADJM.048R2 |

inpro.

For More Information Visit: Inprocorp.com



804-A02-050

| JOINT WIDTH | | MOVEMENT ± | | | |
|-------------|----|------------|----|----------|----|
| | | HORIZONTAL | | VERTICAL | |
| US | mm | US | mm | US | mm |
| 2" | 51 | 1/2" | 13 | 1/8" | 3 |

| |
|--------------|
| FINISH: MILL |
| PROJECT: |
| CUSTOMER: |
| LOCATION: |

APPLICATION-
COVER PLATE CONDITION
FLOOR/WALL

| | |
|--------|-------------|
| DATE: | 9-30-05 |
| SCALE: | 1:1 |
| DOC: | CADJM.048R2 |

inpro.

For More Information Visit: Inprocorp.com