

### 806-A02-050

Joint Width		Movement ± Horizontal	
US	mm	US	mm
2"	51	3"	76

FINISH: MILL

**• JOINTMASTER®**  
EXPANSION JOINT SYSTEMS  
A DIVISION OF INPRO®

DATE: 4-30-08

SCALE: 1:2

DOC: CADJM.128/Rev3

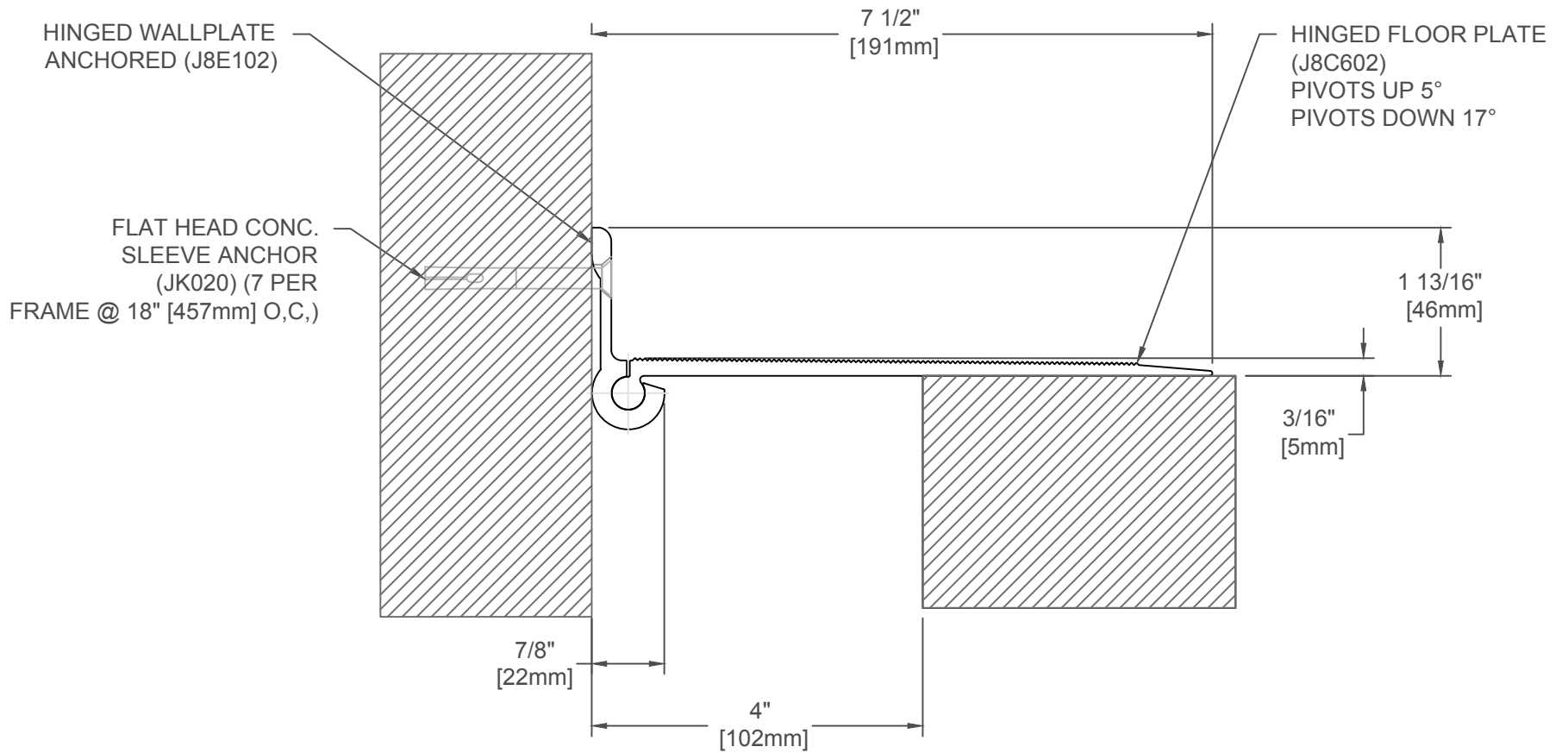
APPLICATION-  
FLOOR/WALL COVER PLATE

PROJECT:

CUSTOMER:

LOCATION:

**inpro.**



### 806-A02-100

Joint Width		Movement ± Horizontal	
US	mm	US	mm
4"	102	2"	51

FINISH: MILL

**• JOINTMASTER®**  
EXPANSION JOINT SYSTEMS  
A DIVISION OF INPRO®

DATE: 4-30-08

SCALE: 1:2

DOC: CADJM.128/Rev3

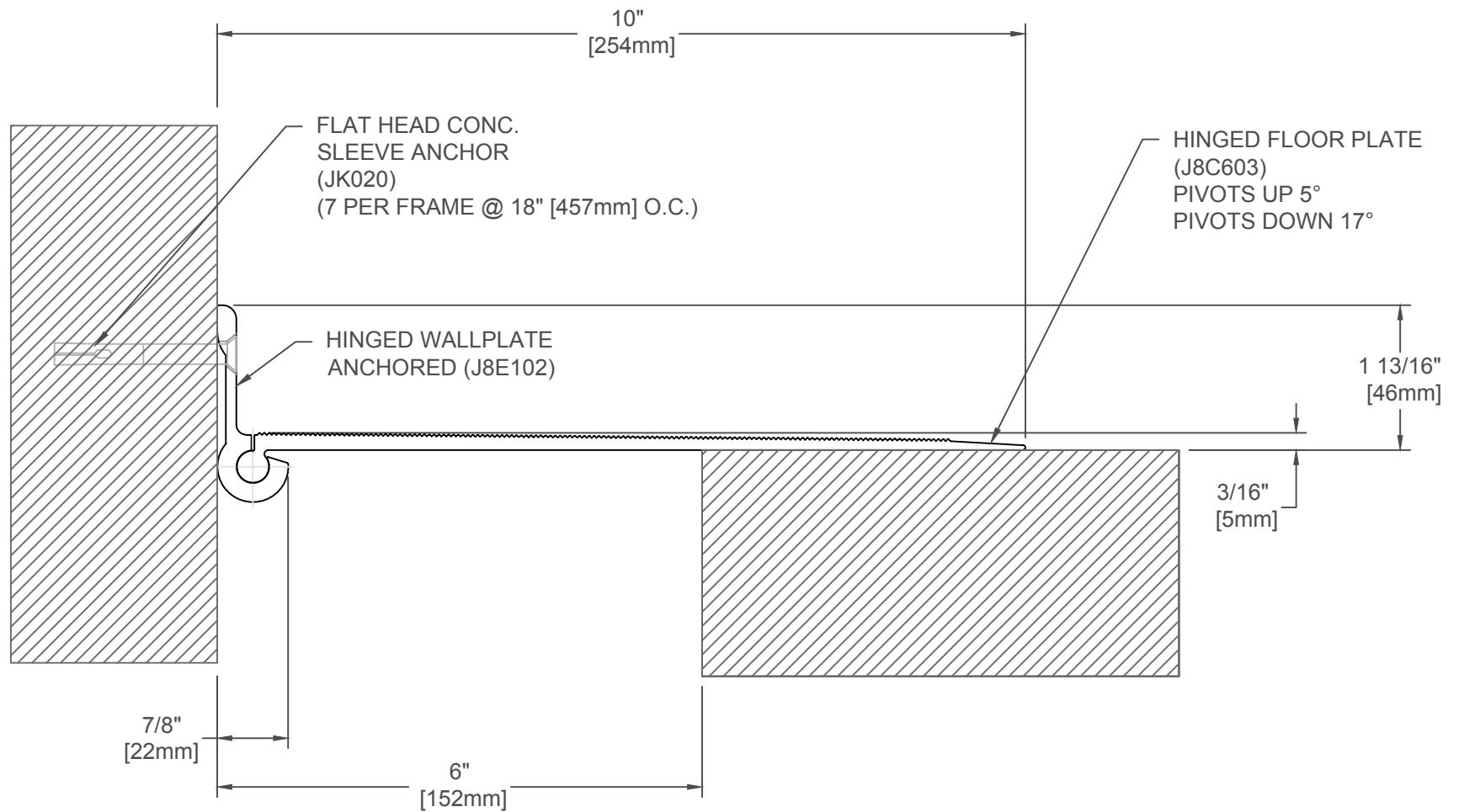
APPLICATION-  
FLOOR/WALL COVER PLATE

PROJECT:

CUSTOMER:

LOCATION:

**inpro.**



FLAT HEAD CONC.  
SLEEVE ANCHOR  
(JK020)  
(7 PER FRAME @ 18" [457mm] O.C.)

HINGED FLOOR PLATE  
(J8C603)  
PIVOTS UP 5°  
PIVOTS DOWN 17°

HINGED WALLPLATE  
ANCHORED (J8E102)

### 806-A02-150

Joint Width		Movement ± Horizontal	
US	mm	US	mm
6"	152	3"	76

FINISH: MILL

**• JOINTMASTER®**  
EXPANSION JOINT SYSTEMS  
A DIVISION OF INPRO®

DATE: 4-30-08  
SCALE: 1:2  
DOC: CADJM.128/Rev3

APPLICATION-  
FLOOR/WALL COVER PLATE

PROJECT:  
CUSTOMER:  
LOCATION:



$\frac{3}{8}$ " FLAT HEAD CONC.  
SLEEVE ANCHOR (JK131-H)  
(7 PER FRAME @ 18" [457mm] O.C.)

13 5/8"  
[346mm]

HINGE FLOOR  
PLATE (J8C604)  
PIVOTS UP 5°  
PIVOTS DOWN 11°

HINGED WALL PLATE  
ANCHORED (J8E105)

7/8"  
[22mm]

7/16"  
[11mm]

1 13/16"  
[46mm]

8"  
[203mm]

### 806-A02-200

Joint Width		Movement ± Horizontal	
US	mm	US	mm
8"	203	4"	102

FINISH: MILL

**• JOINTMASTER**  
EXPANSION JOINT SYSTEMS  
A DIVISION OF INPRO®

DATE: 4-30-08

SCALE: 1:4

DOC: CADJM.128/Rev3

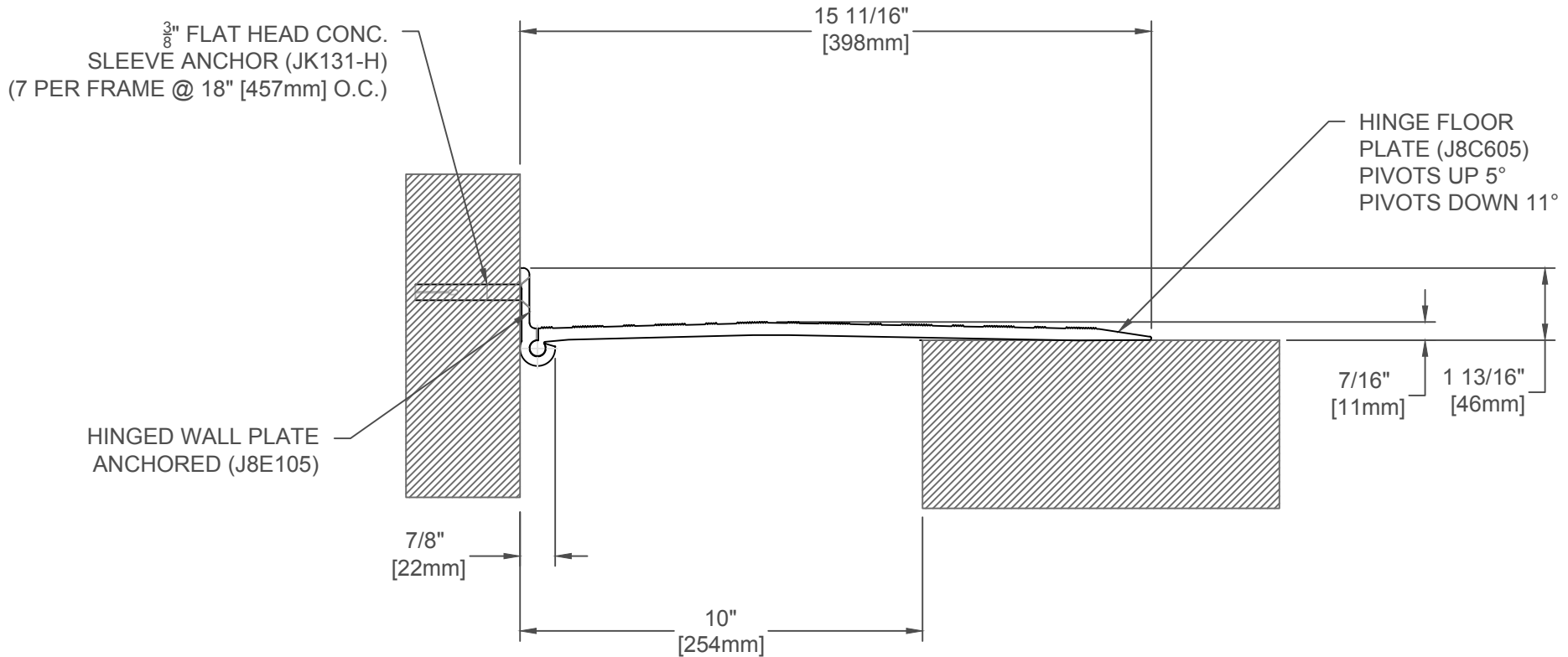
APPLICATION-  
FLOOR/WALL COVER PLATE

PROJECT:

CUSTOMER:

LOCATION:

**inpro.**



### 806-A02-250

Joint Width		Movement ± Horizontal	
US	mm	US	mm
10"	254	5"	127

FINISH: MILL

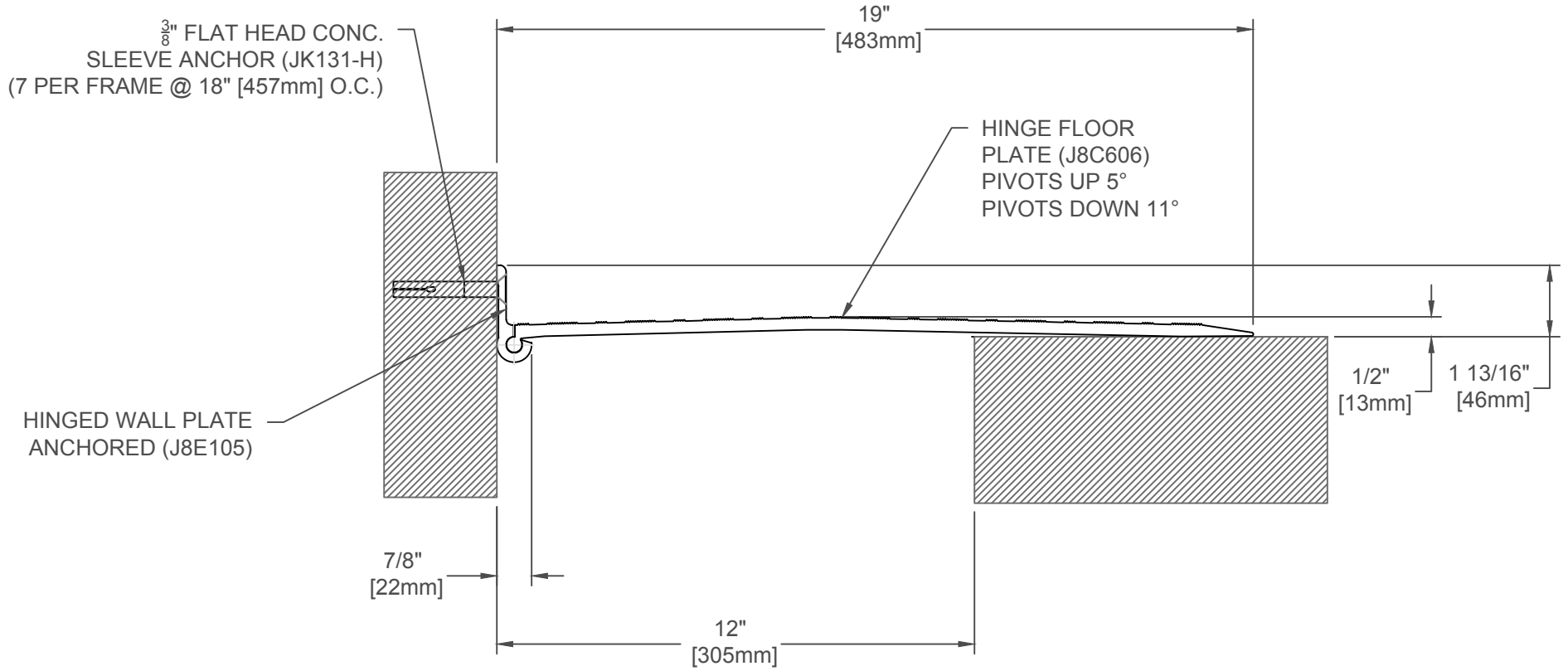
**JOINTMASTER**  
EXPANSION JOINT SYSTEMS  
A DIVISION OF INPRO®

DATE: 4-30-08  
SCALE: 1:4  
DOC: CADJM.128/Rev3

APPLICATION-  
FLOOR/WALL COVER PLATE

PROJECT:  
CUSTOMER:  
LOCATION:





806-A02-300

Joint Width		Movement ± Horizontal	
US	mm	US	mm
12"	203	6"	152

FINISH: MILL

**JOINTMASTER**  
 EXPANSION JOINT SYSTEMS  
 A DIVISION OF INPRO®

DATE: 4-30-08  
 SCALE: 1:4  
 DOC: CADJM.128/Rev3

APPLICATION-  
 FLOOR/WALL COVER PLATE

PROJECT:  
 CUSTOMER:  
 LOCATION:

