

806SD-A01-050

JOINT WIDTH		MOVEMENT ±			
		HORIZONTAL		VERTICAL	
US	mm	US	mm	US	mm
2"	51	1"	25	+1/4" /-1"	+6 /-25

FINISH: MILL

JOINTMASTER
EXPANSION JOINT SYSTEMS
A DIVISION OF INPRO

DATE: 10-31-13

SCALE: 1:2

DOC: CADJM.129/R5

APPLICATION-FLOOR/FLOOR HINGED
METAL COVER PLATE
W/APPLIED SOUND DAMPENING

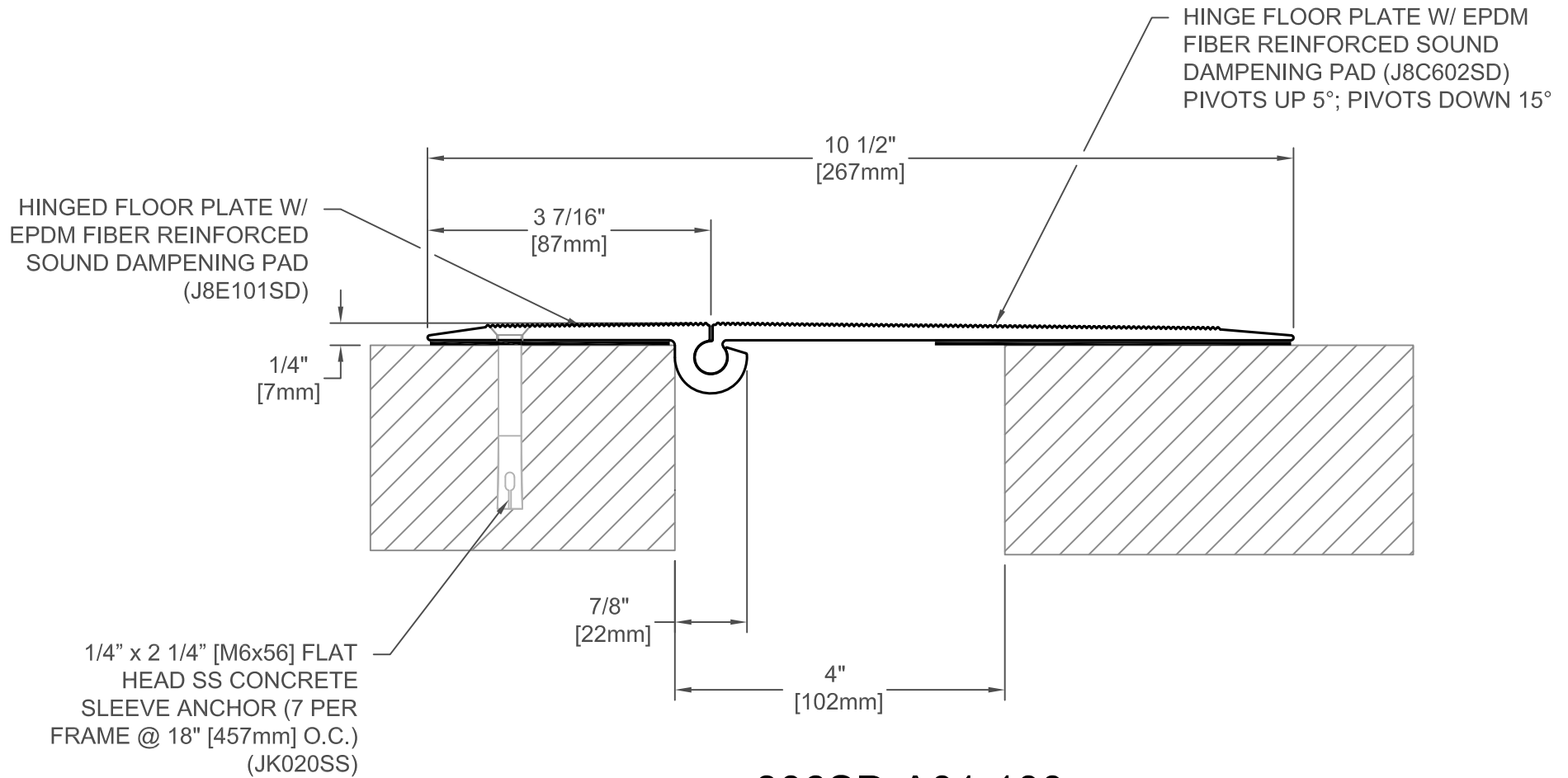
PROJECT:

CUSTOMER:

LOCATION:

inpro.

For More Information Visit: Inprocorp.com



806SD-A01-100

JOINT WIDTH		MOVEMENT ±			
		HORIZONTAL		VERTICAL	
US	mm	US	mm	US	mm
4"	102	2"	51	+5/8" /-2"	+10 /-51

FINISH: MILL

JOINTMASTER
EXPANSION JOINT SYSTEMS
A DIVISION OF INPRO

DATE: 10-31-13

SCALE: 1:2

DOC: CADJM.129/R5

APPLICATION-FLOOR/FLOOR HINGED
METAL COVER PLATE
W/APPLIED SOUND DAMPENING

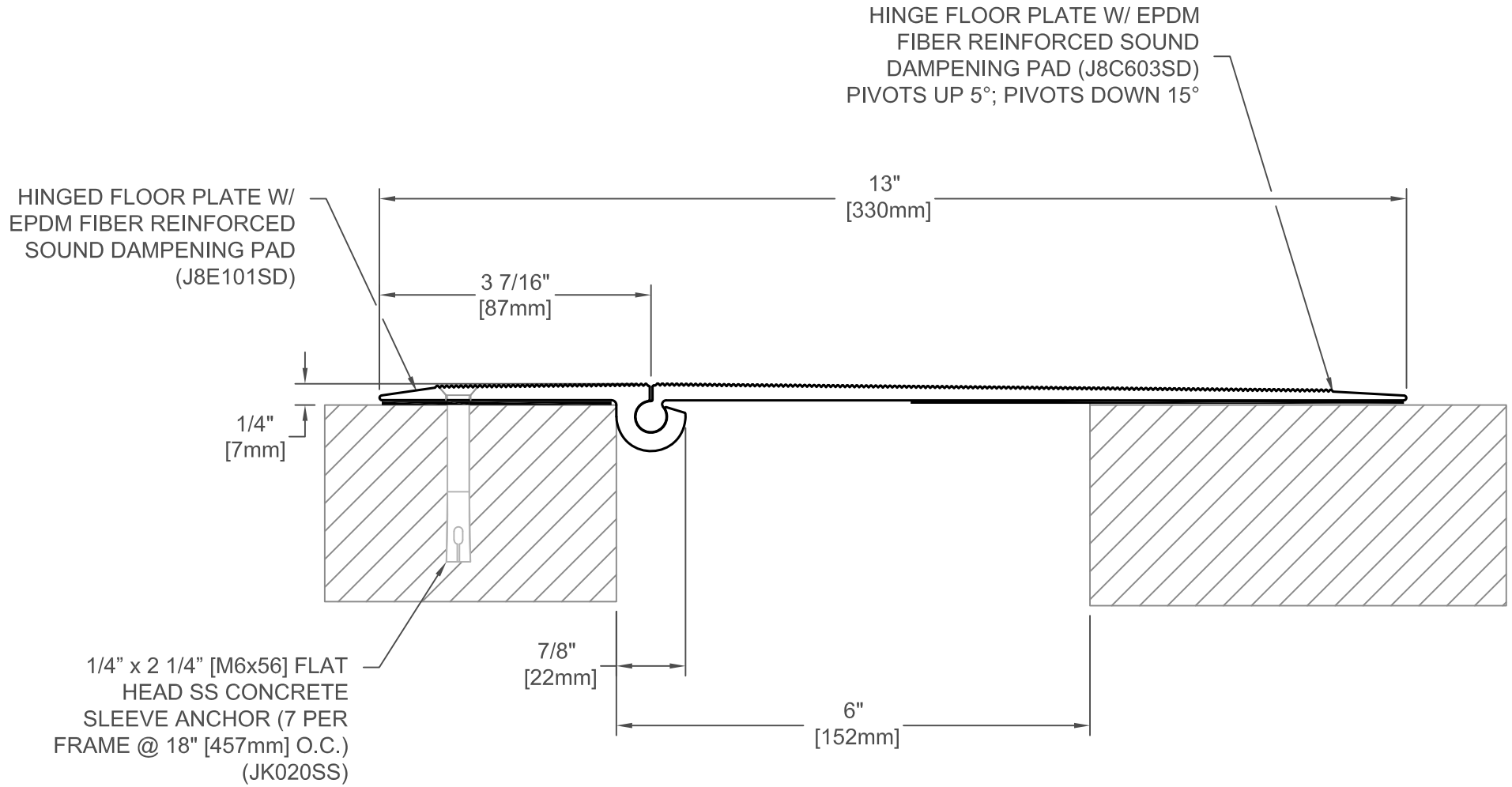
PROJECT:

CUSTOMER:

LOCATION:

inpro.

For More Information Visit: Inprocorp.com



806SD-A01-150

JOINT WIDTH		MOVEMENT ±			
		HORIZONTAL		VERTICAL	
US	mm	US	mm	US	mm
6"	152	3"	76	+7/8" /-2 3/4"	+13 /-71

FINISH: MILL

• JOINTMASTER®
EXPANSION JOINT SYSTEMS
A DIVISION OF INPRO®

DATE: 10-31-13

SCALE: 1:2

DOC: CADJM.129/R5

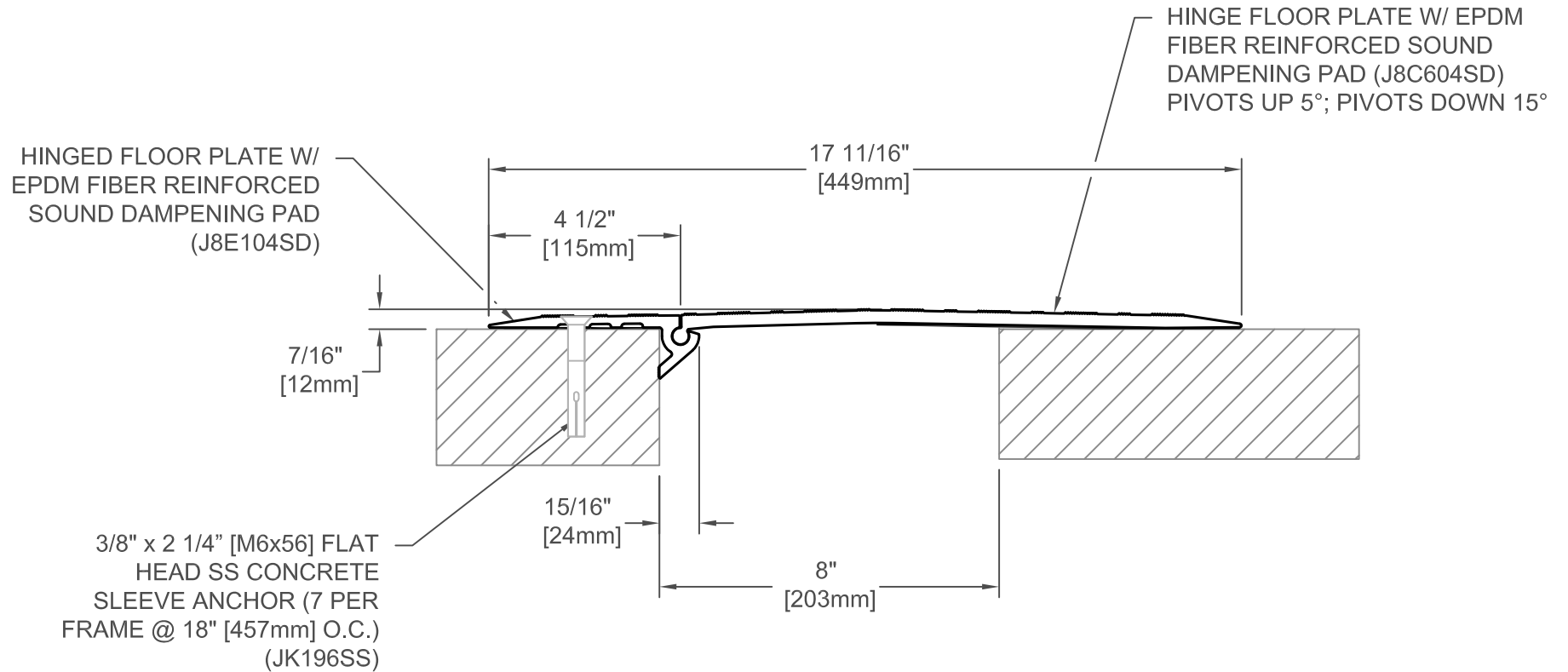
APPLICATION-FLOOR/FLOOR HINGED
METAL COVER PLATE
W/APPLIED SOUND DAMPENING

PROJECT:

CUSTOMER:

LOCATION:

inpro.
For More Information Visit: Inprocorp.com



806SD-A01-200

JOINT WIDTH		MOVEMENT ±			
		HORIZONTAL		VERTICAL	
US	mm	US	mm	US	mm
8"	203	4"	102	+1" /-2 1/2"	+25 /-64

FINISH: MILL

JOINTMASTER
EXPANSION JOINT SYSTEMS
A DIVISION OF INPRO

DATE: 10-31-13

SCALE: 1:4

DOC: CADJM.129/R5

APPLICATION-FLOOR/FLOOR HINGED
METAL COVER PLATE
W/APPLIED SOUND DAMPENING

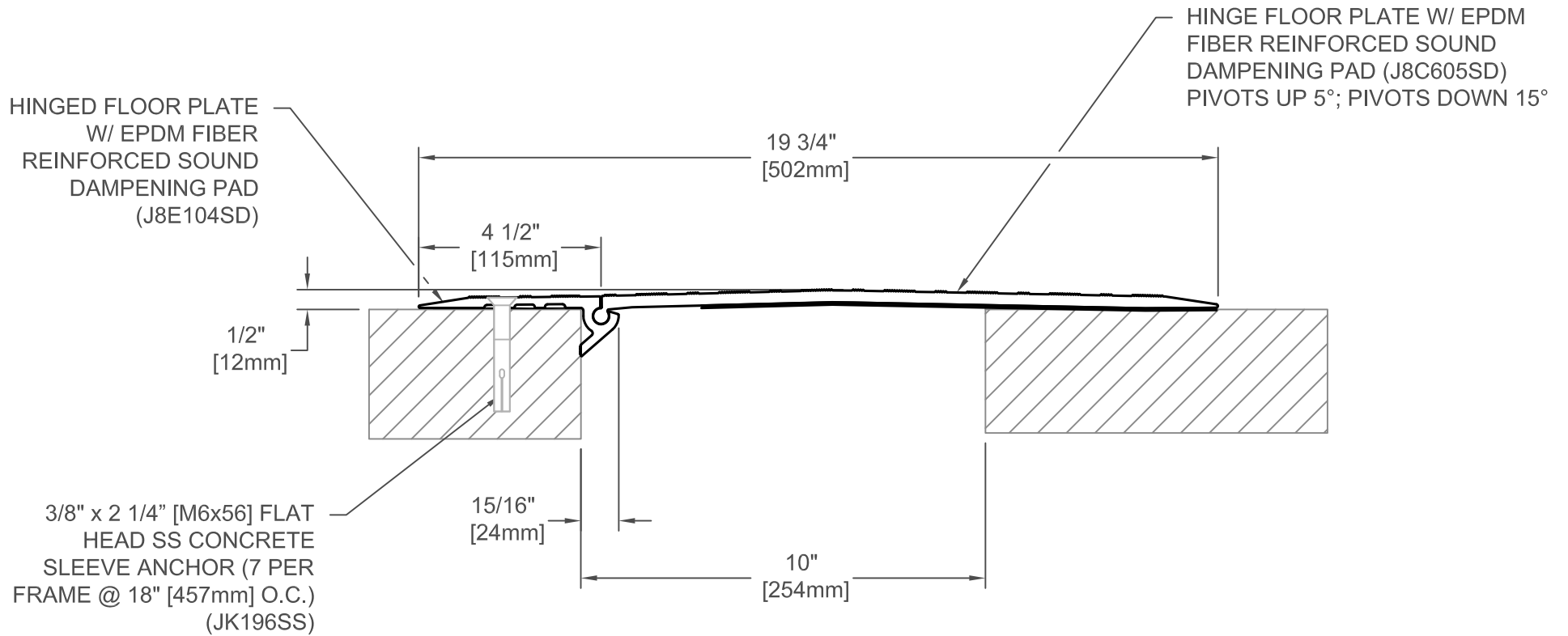
PROJECT:

CUSTOMER:

LOCATION:

inpro.

For More Information Visit: Inprocorp.com



806SD-A01-250

JOINT WIDTH		MOVEMENT ±			
		HORIZONTAL		VERTICAL	
US	mm	US	mm	US	mm
10"	254	5"	127	+1 3/8" /-3"	+35 /-76

FINISH: MILL

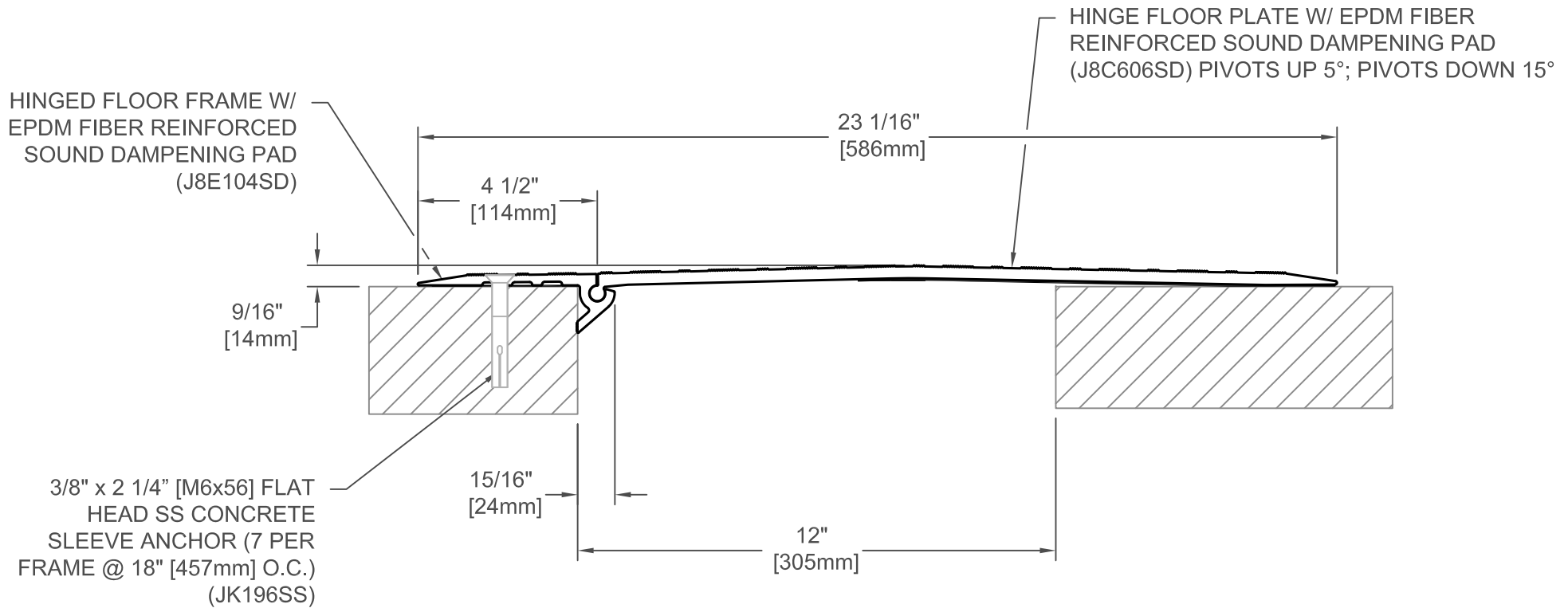
• JOINTMASTER®
EXPANSION JOINT SYSTEMS
A DIVISION OF INPRO®

DATE: 10-31-13
SCALE: 1:4
DOC: CADJM.129/R5

APPLICATION-FLOOR/FLOOR
METAL COVER PLATE
W/APPLIED SOUND DAMENING

PROJECT:
CUSTOMER:
LOCATION:

inpro.
For More Information Visit: Inprocorp.com



806SD-A01-300

JOINT WIDTH		MOVEMENT ±			
		HORIZONTAL		VERTICAL	
US	mm	US	mm	US	mm
12"	305	6"	152	+1 5/8" /-3 1/2"	+41 /-90

FINISH: MILL

JOINTMASTER
EXPANSION JOINT SYSTEMS
A DIVISION OF INPRO

DATE: 10-31-13

SCALE: 1:4

DOC: CADJM.129/R5

APPLICATION-FLOOR/FLOOR
METAL COVER PLATE
W/APPLIED SOUND DAMPENING

PROJECT:

CUSTOMER:

LOCATION:

inpro.

For More Information Visit: Inprocorp.com