

807-A01-050/3

THERMAL

| Joint Width |     | Movement ± Horizontal |    |
|-------------|-----|-----------------------|----|
| US          | mm  | US                    | mm |
| 2"          | 102 | 1/2"                  | 13 |

SIESMIC

| Joint Width |    | Movement ± Horizontal |    |
|-------------|----|-----------------------|----|
| US          | mm | US                    | mm |
| 2"          | 51 | 1"                    | 25 |

FINISH: MILL

• **JOINTMASTER**  
EXPANSION JOINT SYSTEMS  
A DIVISION OF INPRO®

DATE: 12-6-11  
SCALE: 1:4  
DOC: CADJM.052/Rev2

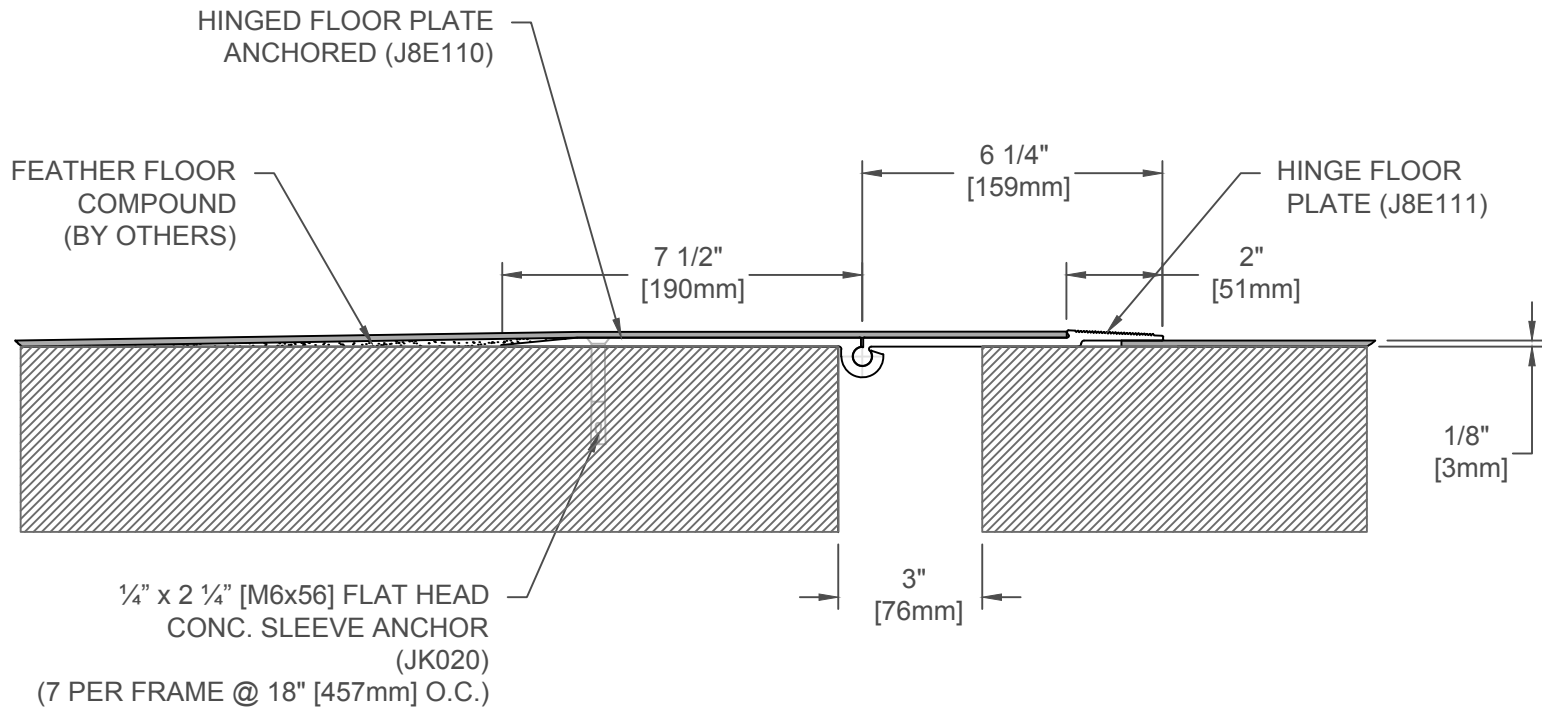
APPLICATION-  
FLOOR/FLOOR COVER PLATE  
1/8" FLOOR

PROJECT:

CUSTOMER:

LOCATION:

**inpro.**



807-A01-075/3

**THERMAL**

| Joint Width |     | Movement ± Horizontal |    |
|-------------|-----|-----------------------|----|
| US          | mm  | US                    | mm |
| 3"          | 102 | 1/2"                  | 13 |

**SIESMIC**

| Joint Width |     | Movement ± Horizontal |    |
|-------------|-----|-----------------------|----|
| US          | mm  | US                    | mm |
| 3"          | 102 | 1 1/2"                | 38 |

FINISH: MILL

**• JOINTMASTER**  
EXPANSION JOINT SYSTEMS  
A DIVISION OF INPRO®

DATE: 12-6-11  
SCALE: 1:4  
DOC: CADJM.052/Rev2

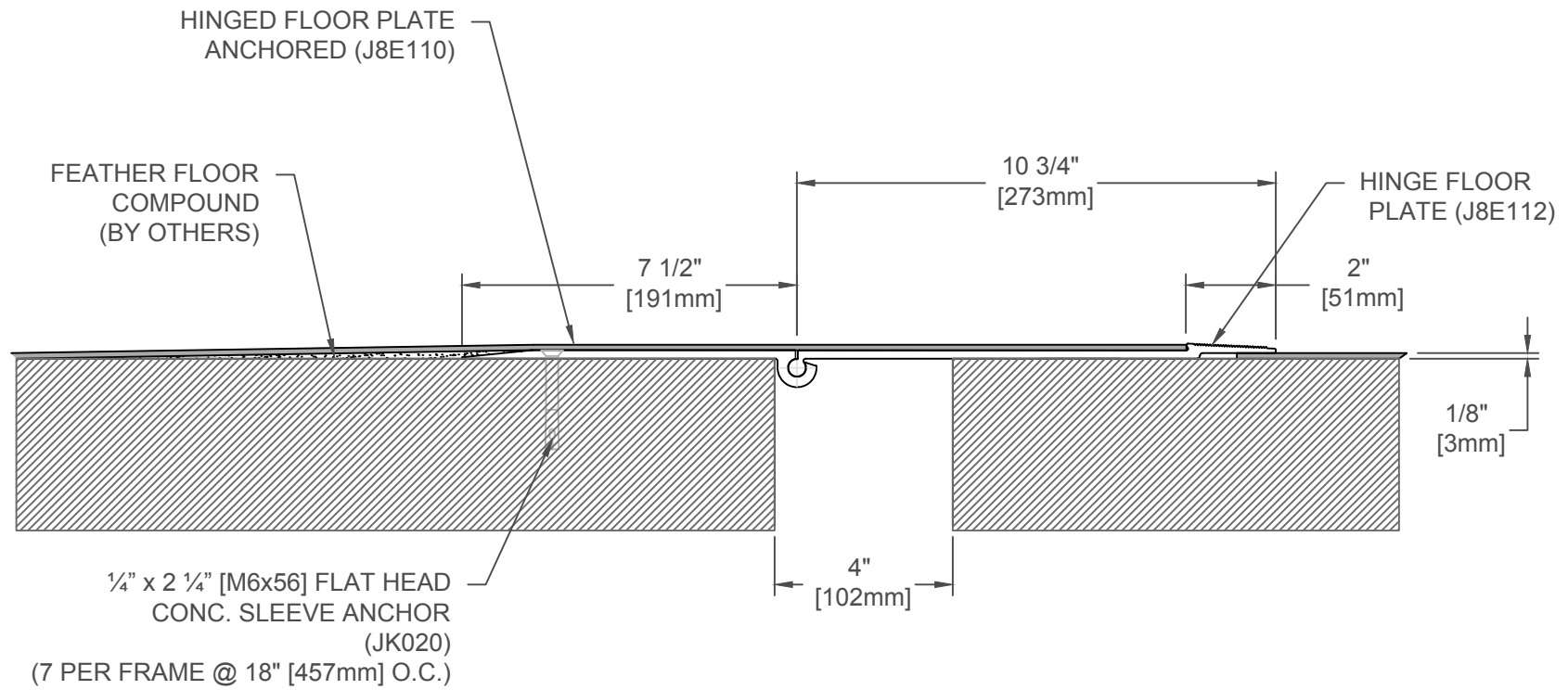
APPLICATION-  
FLOOR/FLOOR COVER PLATE  
1/8" FLOOR

PROJECT:

CUSTOMER:

LOCATION:

**inpro.**



807-A01-100/3

**THERMAL**

| Joint Width |     | Movement ± Horizontal |    |
|-------------|-----|-----------------------|----|
| US          | mm  | US                    | mm |
| 4"          | 102 | 1/2"                  | 13 |

**SIESMIC**

| Joint Width |     | Movement ± Horizontal |    |
|-------------|-----|-----------------------|----|
| US          | mm  | US                    | mm |
| 4"          | 102 | 2"                    | 51 |

FINISH: MILL

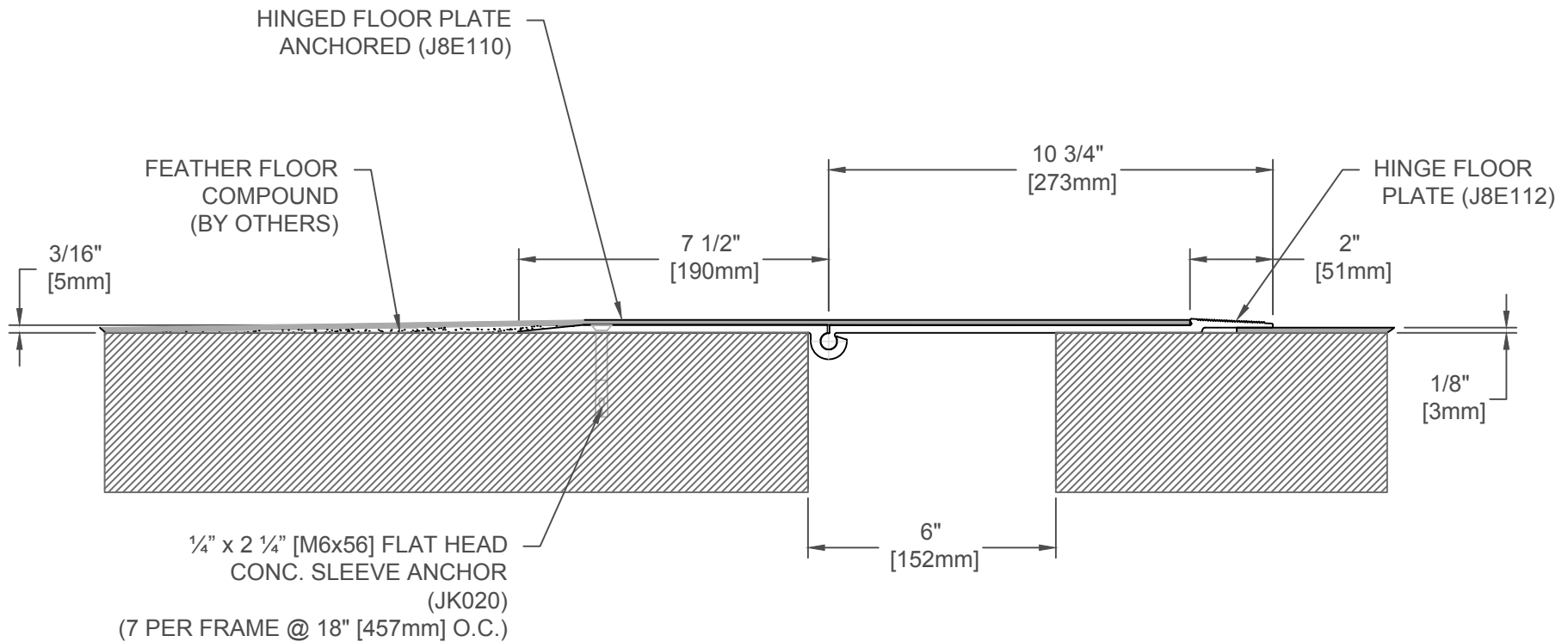
**• JOINTMASTER**  
 EXPANSION JOINT SYSTEMS  
 A DIVISION OF INPRO®

DATE: 12-6-11  
 SCALE: 1:4  
 DOC: CADJM.052/Rev2

APPLICATION-  
 FLOOR/FLOOR COVER PLATE  
 1/8" FLOOR

PROJECT:  
 CUSTOMER:  
 LOCATION:





807-A01-150/3

THERMAL

| Joint Width |     | Movement ± Horizontal |    |
|-------------|-----|-----------------------|----|
| US          | mm  | US                    | mm |
| 6"          | 152 | 1/2"                  | 13 |

SIESMIC

| Joint Width |     | Movement ± Horizontal |    |
|-------------|-----|-----------------------|----|
| US          | mm  | US                    | mm |
| 6"          | 152 | 3"                    | 76 |

FINISH: MILL

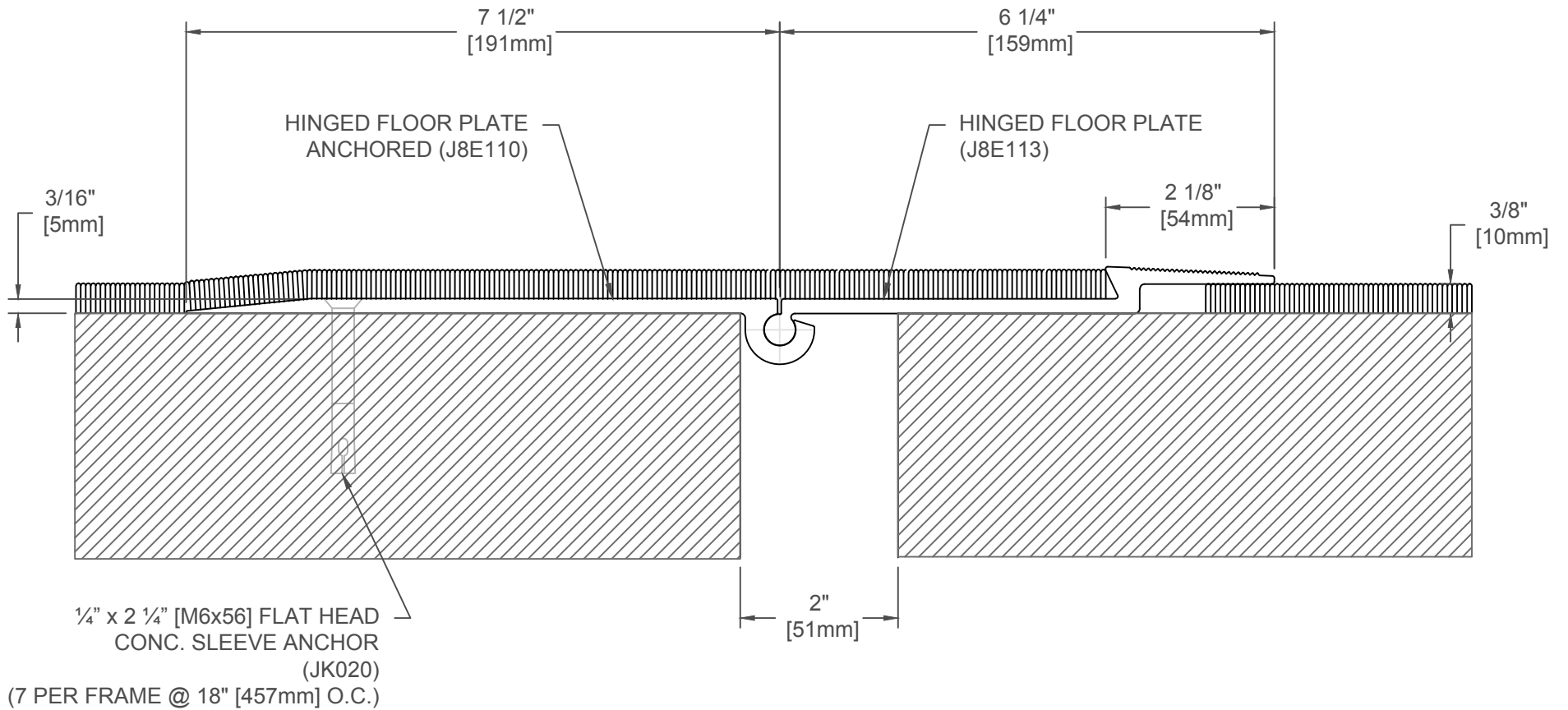
**JOINTMASTER**  
EXPANSION JOINT SYSTEMS  
A DIVISION OF INPRO

DATE: 12-6-11  
SCALE: 1:4  
DOC: CADJM.052/Rev2

APPLICATION-  
FLOOR/FLOOR COVER PLATE  
1/8" FLOOR

PROJECT:  
CUSTOMER:  
LOCATION:

**inpro.**



807-A01-050/10

**THERMAL**

| Joint Width |    | Movement ± Horizontal |    |
|-------------|----|-----------------------|----|
| US          | mm | US                    | mm |
| 2"          | 51 | 1/2"                  | 13 |

**SIESMIC**

| Joint Width |    | Movement ± Horizontal |    |
|-------------|----|-----------------------|----|
| US          | mm | US                    | mm |
| 2"          | 51 | 1"                    | 25 |

FINISH: MILL

**JOINTMASTER®**  
EXPANSION JOINT SYSTEMS  
A DIVISION OF INPRO®

DATE: 11-9-09  
SCALE: 1:2  
DOC: CADJM.052/Rev2

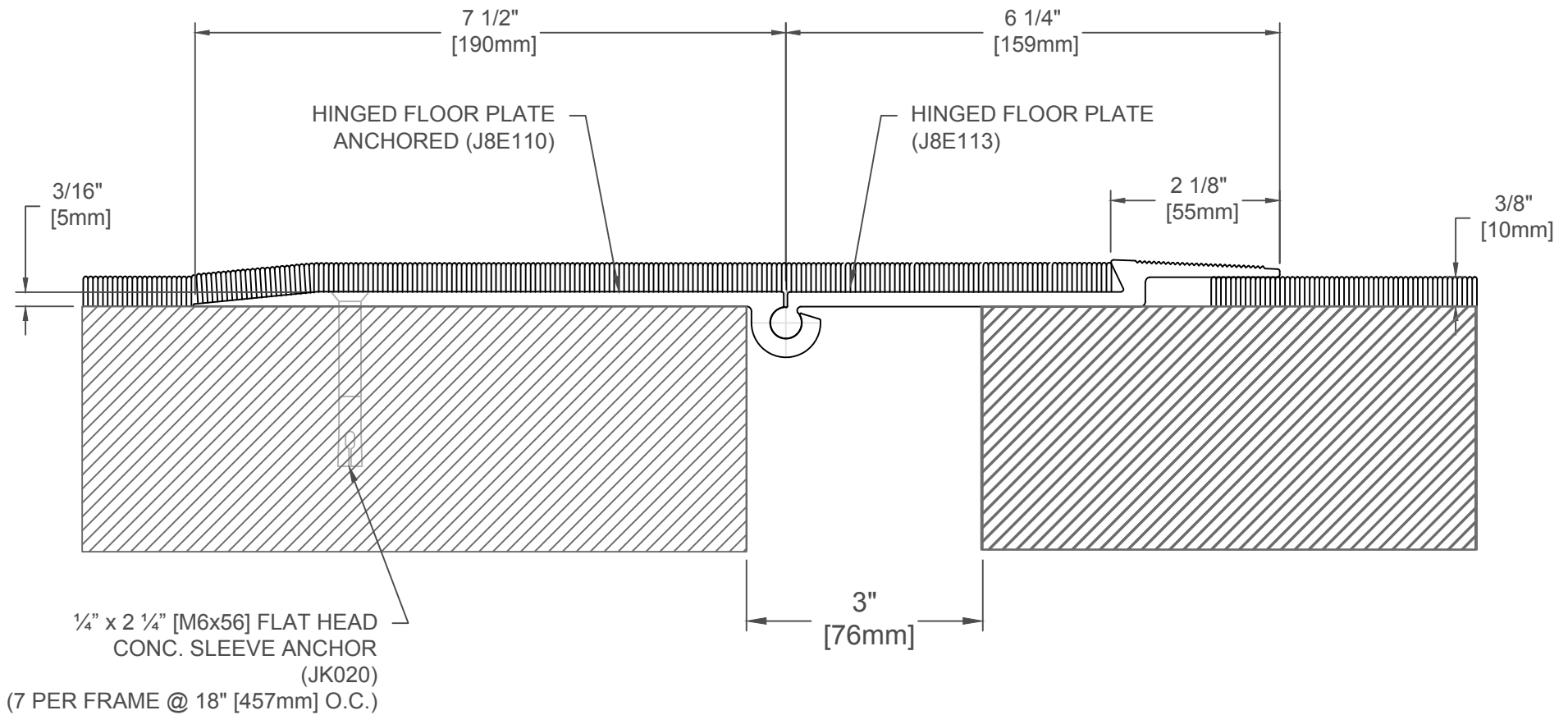
APPLICATION-  
FLOOR/FLOOR COVER PLATE  
3/8" CARPET

PROJECT:

CUSTOMER:

LOCATION:

**inpro.**



807-A01-075/10

**THERMAL**

| Joint Width |     | Movement ± Horizontal |    |
|-------------|-----|-----------------------|----|
| US          | mm  | US                    | mm |
| 3"          | 102 | 1/2"                  | 13 |

**SIESMIC**

| Joint Width |     | Movement ± Horizontal |    |
|-------------|-----|-----------------------|----|
| US          | mm  | US                    | mm |
| 3"          | 102 | 1 1/2"                | 38 |

FINISH: MILL

**• JOINTMASTER®**  
EXPANSION JOINT SYSTEMS  
A DIVISION OF INPRO®

DATE: 11-9-09  
SCALE: 1:2  
DOC: CADJM.052/Rev2

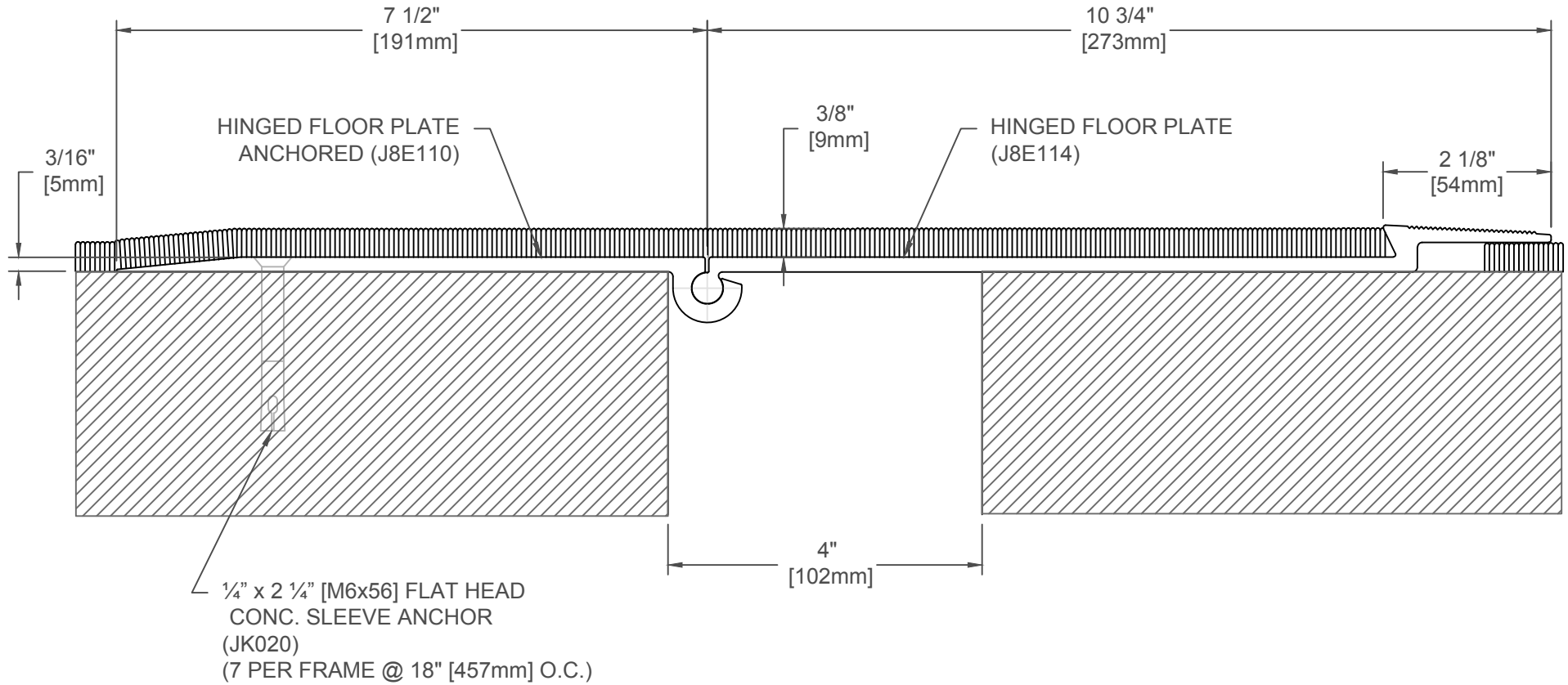
APPLICATION-  
FLOOR/FLOOR COVER PLATE  
3/8" CARPET

PROJECT:

CUSTOMER:

LOCATION:

**inpro.**



807-A01-100/10

**THERMAL**

| Joint Width |     | Movement ± Horizontal |    |
|-------------|-----|-----------------------|----|
| US          | mm  | US                    | mm |
| 4"          | 102 | 1/2"                  | 13 |

**SIESMIC**

| Joint Width |     | Movement ± Horizontal |    |
|-------------|-----|-----------------------|----|
| US          | mm  | US                    | mm |
| 4"          | 102 | 2"                    | 51 |

FINISH: MILL

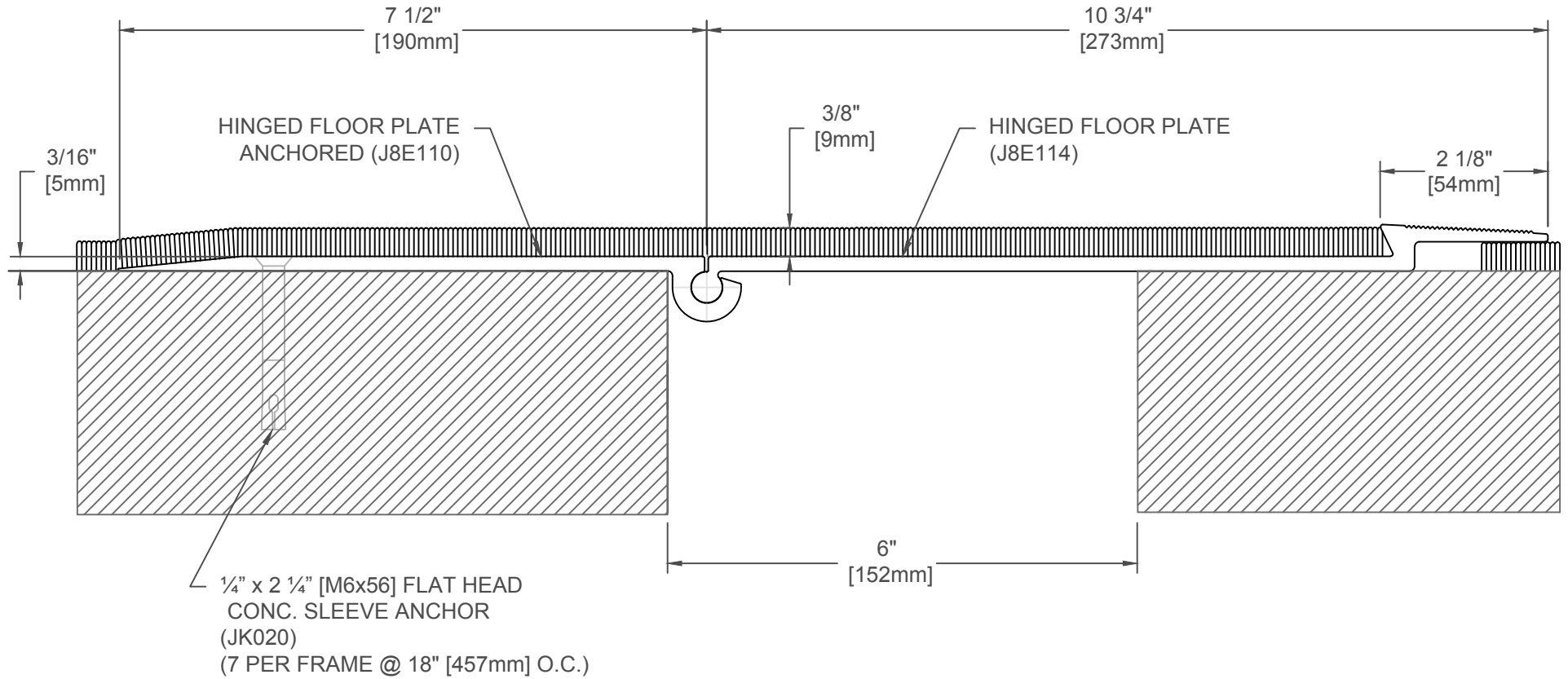
**• JOINTMASTER®**  
EXPANSION JOINT SYSTEMS  
A DIVISION OF INPRO®

DATE: 11-9-09  
SCALE: 1:2  
DOC: CADJM.052/Rev2

APPLICATION-  
FLOOR/FLOOR COVER PLATE  
3/8" CARPET

PROJECT:  
CUSTOMER:  
LOCATION:

**inpro.**



807-A01-150/10

**THERMAL**

| Joint Width |     | Movement ± Horizontal |    |
|-------------|-----|-----------------------|----|
| US          | mm  | US                    | mm |
| 6"          | 152 | 1/2"                  | 13 |

**SIESMIC**

| Joint Width |     | Movement ± Horizontal |    |
|-------------|-----|-----------------------|----|
| US          | mm  | US                    | mm |
| 6"          | 152 | 3"                    | 76 |

FINISH: MILL

**• JOINTMASTER®**  
EXPANSION JOINT SYSTEMS  
A DIVISION OF INPRO®

DATE: 11-9-09  
SCALE: 1:2  
DOC: CADJM.052/Rev2

APPLICATION-  
FLOOR/FLOOR COVER PLATE  
3/8" CARPET

PROJECT:  
CUSTOMER:  
LOCATION:

