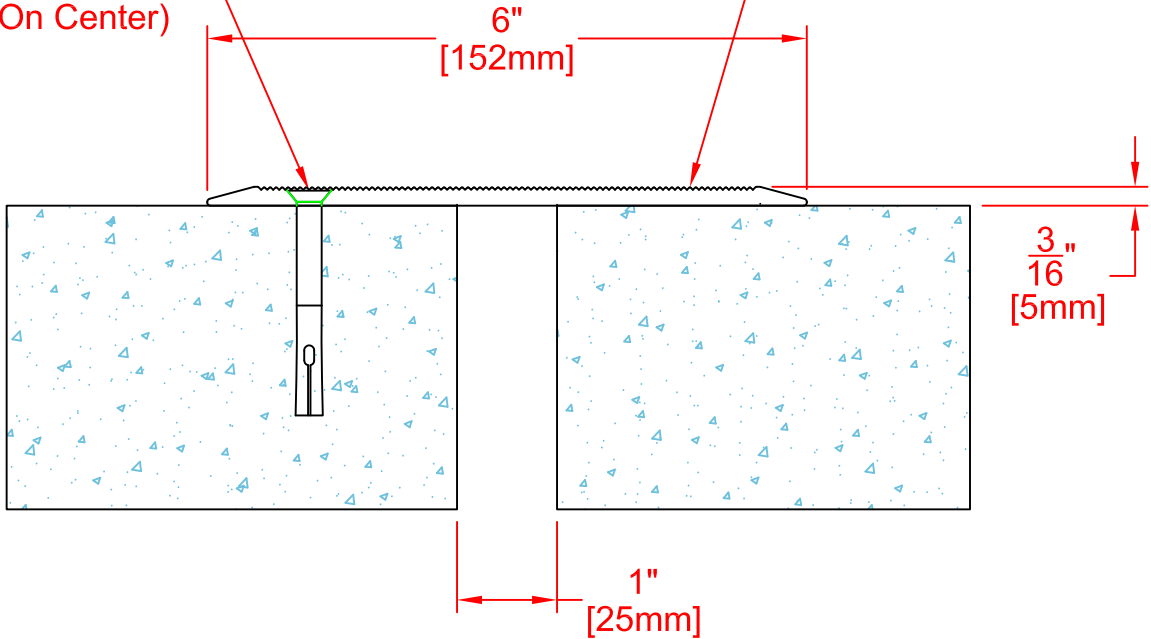


Flat Head Concrete Sleeve Anchor
(JK020) (6" From Each End)
(7 Per Plate @ 18" On Center)

Continuous Aluminum Plate (J8C101)



808-A01-025

Joint Width		Movement ±			
		Horizontal		Vertical	
US	mm	US	mm	US	mm
1"	25	1/2"	13	1/2"	13

JOINTMASTER™
EXPANSION JOINT SYSTEMS

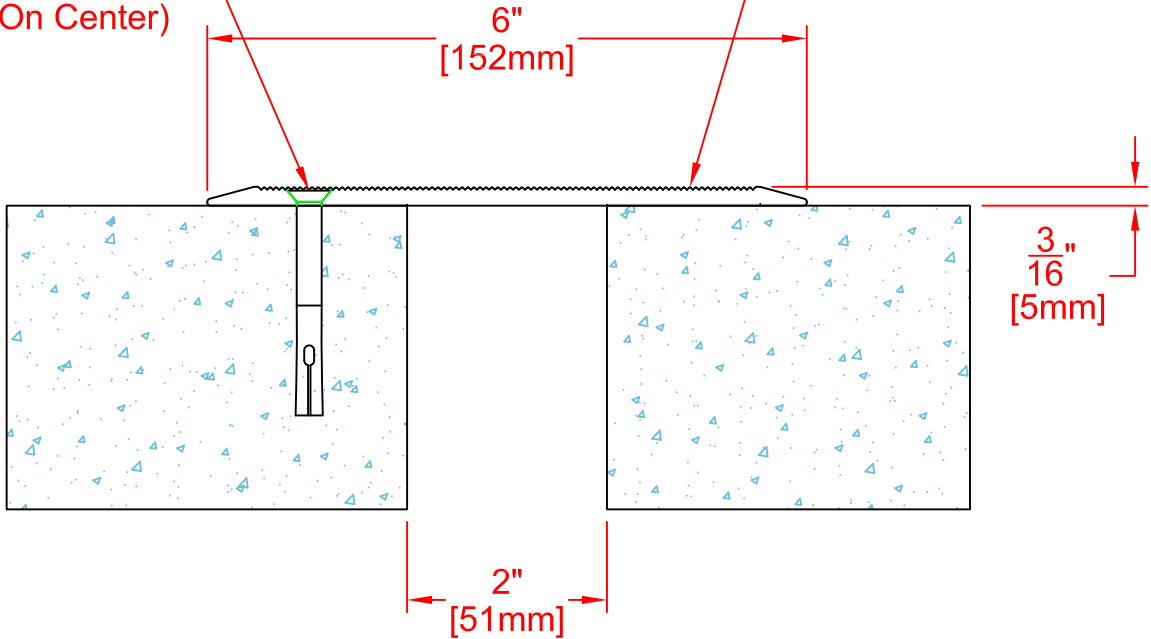
DATE: 2-14-08
SCALE: 1:2
DOC: CADJM.126/Rev1

APPLICATION-
FLOOR/FLOOR COVER PLATE



Flat Head Concrete Sleeve Anchor
(JK020) (6" From Each End)
(7 Per Plate @ 18" On Center)

Continuous Aluminum Plate (J8C101)

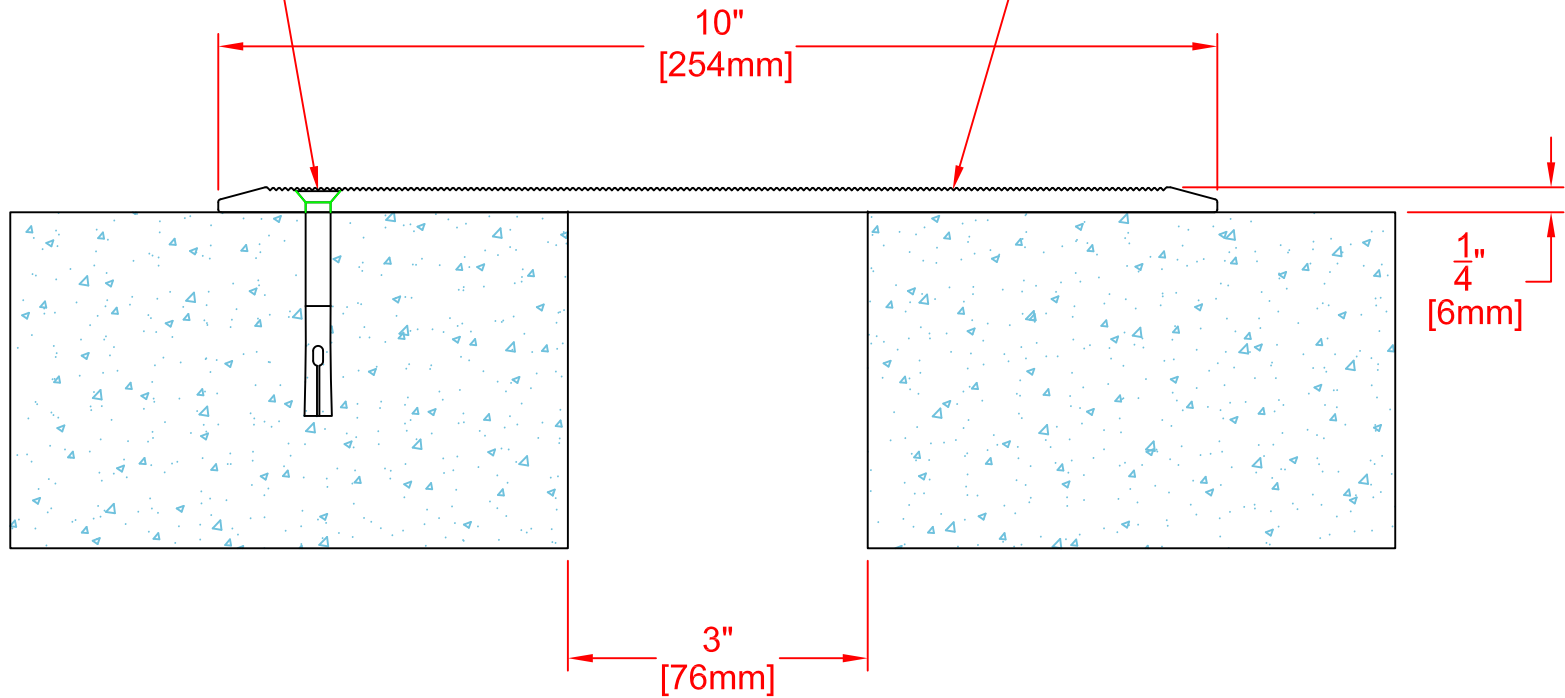


808-A01-050

Joint Width		Movement ±			
		Horizontal		Vertical	
US	mm	US	mm	US	mm
2"	51	1"	25	1"	25

Flat Head Concrete Sleeve Anchor
(JK020) (6" From Each End)
(7 Per Plate @ 18" On Center)

Continuous Aluminum Plate (J8C102)



808-A01-075

Joint Width		Movement ±			
		Horizontal		Vertical	
US	mm	US	mm	US	mm
3"	76	1 1/2"	38	1 1/2"	38

JOINTMASTER™
EXPANSION JOINT SYSTEMS

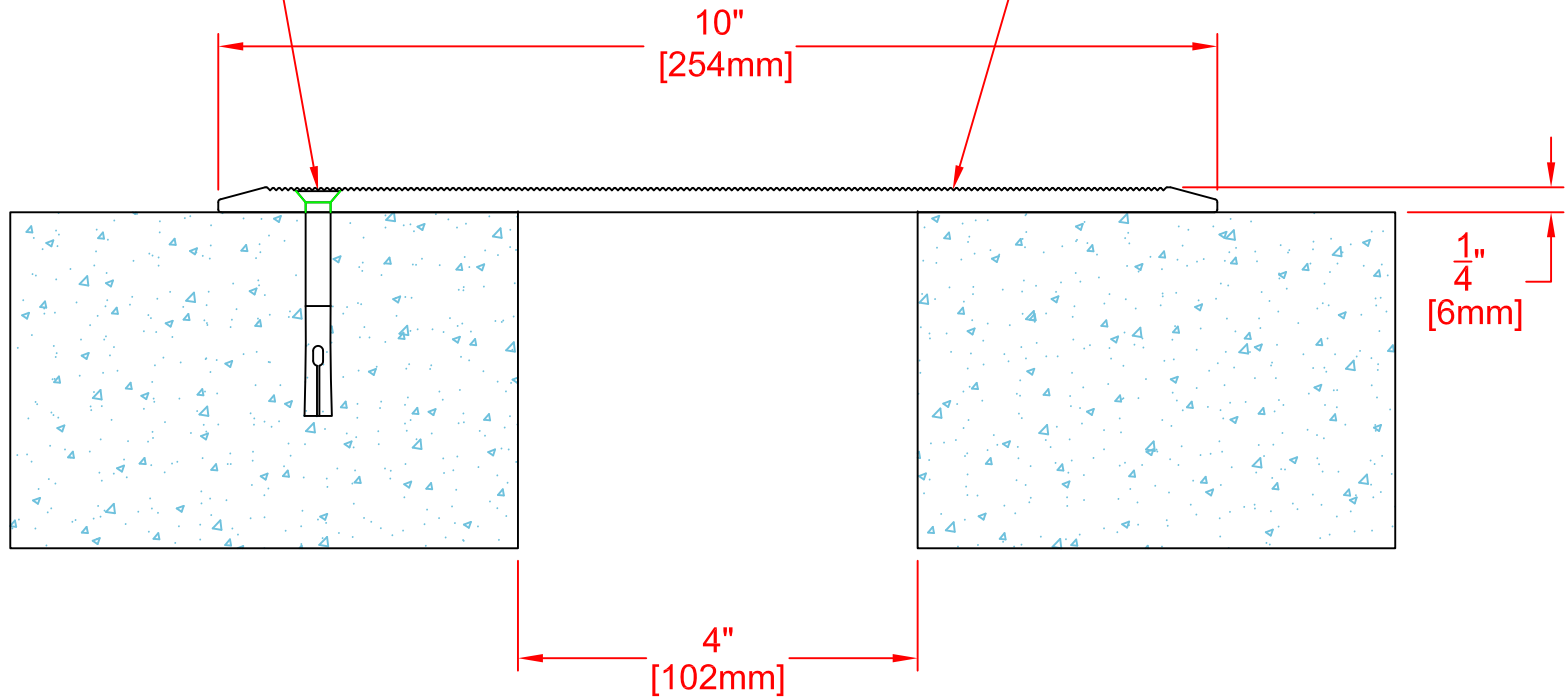
DATE: 2-14-08
SCALE: 1:2
DOC: CADJM.126/Rev1

APPLICATION-
FLOOR/FLOOR COVER PLATE

inpro.

Flat Head Concrete Sleeve Anchor
(JK020) (6" From Each End)
(7 Per Plate @ 18" On Center)

Continuous Aluminum Plate (J8C102)



808-A01-100

Joint Width		Movement ±			
		Horizontal		Vertical	
US	mm	US	mm	US	mm
4"	102	2"	51	2"	51

JOINTMASTER™
EXPANSION JOINT SYSTEMS

DATE: 2-14-08
SCALE: 1:2
DOC: CADJM.126/Rev1

APPLICATION-
FLOOR/FLOOR COVER PLATE

inpro.