

808-A02-025

JOINT WIDTH		MOVEMENT ±			
		HORIZONTAL		VERTICAL	
US	mm	US	mm	US	mm
1"	25	1/2"	13	--	--

FINISH: MILL

• JOINTMASTER
EXPANSION JOINT SYSTEMS
A DIVISION OF INPRO

DATE: 2-25-19

SCALE: 1:2

DOC: CADJM.209/R1

APPLICATION
FLOOR/WALL
STANDARD COVER PLATE

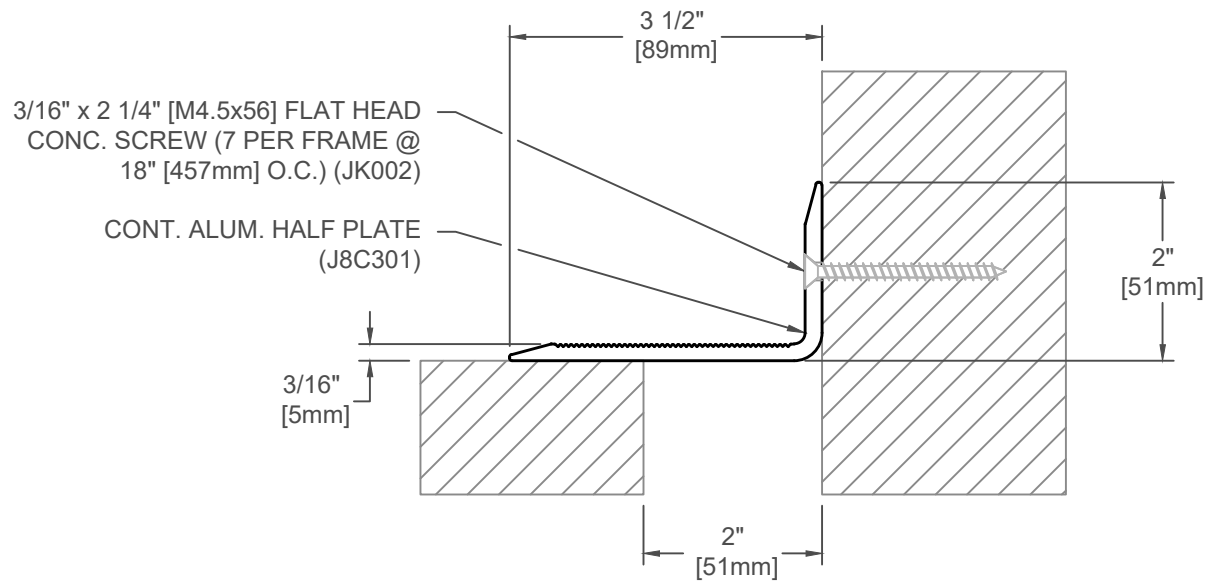
PROJECT:

CUSTOMER:

LOCATION:

inpro.

For More Information Visit: Inprocorp.com



808-A02-050

JOINT WIDTH		MOVEMENT ±			
		HORIZONTAL		VERTICAL	
US	mm	US	mm	US	mm
2"	51	1"	25	--	--

FINISH: MILL

• JOINTMASTER
EXPANSION JOINT SYSTEMS
A DIVISION OF INPRO

DATE: 2-25-19

SCALE: 1:2

DOC: CADJM.209/R1

APPLICATION
FLOOR/WALL
STANDARD COVER PLATE

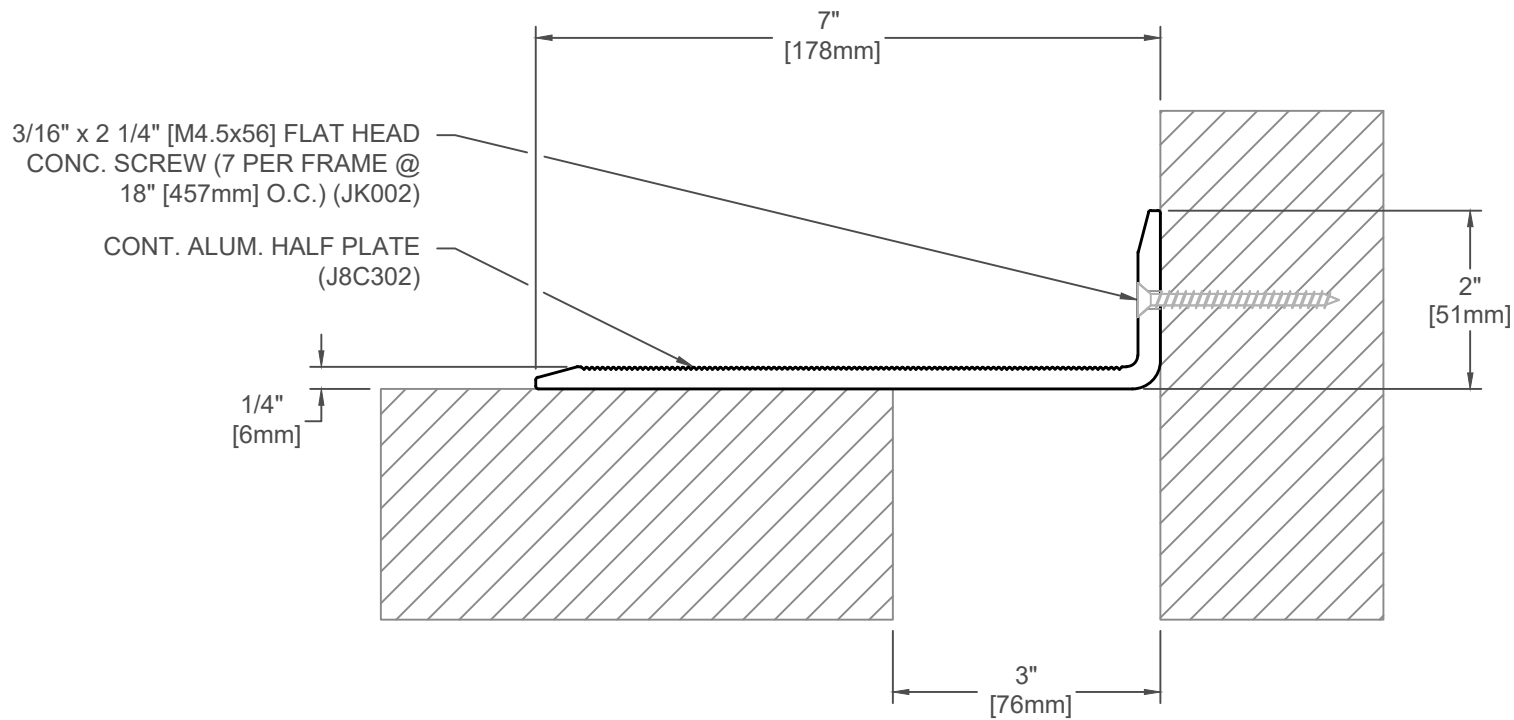
PROJECT:

CUSTOMER:

LOCATION:

inpro.

For More Information Visit: Inprocorp.com



808-A02-075

JOINT WIDTH		MOVEMENT ±			
		HORIZONTAL		VERTICAL	
US	mm	US	mm	US	mm
3"	76	1-1/2"	38	--	--

FINISH: MILL

JOINTMASTER
EXPANSION JOINT SYSTEMS
A DIVISION OF INPRO

DATE: 2-25-19

SCALE: 1:2

DOC: CADJM.209/R1

APPLICATION
FLOOR/WALL
STANDARD COVER PLATE

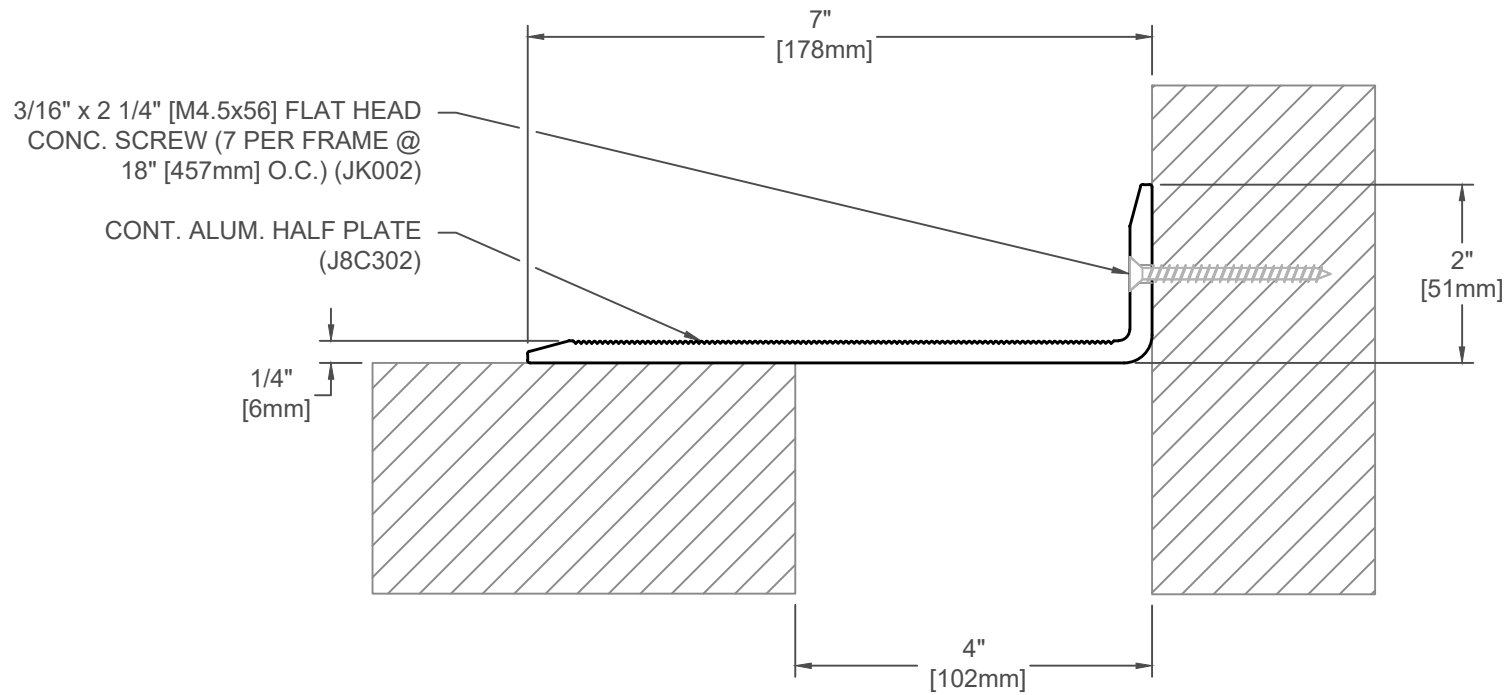
PROJECT:

CUSTOMER:

LOCATION:

inpro.

For More Information Visit: Inprocorp.com



808-A02-100

JOINT WIDTH		MOVEMENT ±			
		HORIZONTAL		VERTICAL	
US	mm	US	mm	US	mm
4"	102	2"	51	--	--

FINISH: MILL

• JOINTMASTER
EXPANSION JOINT SYSTEMS
A DIVISION OF INPRO

DATE: 2-25-19

SCALE: 1:2

DOC: CADJM.209/R1

APPLICATION
FLOOR/WALL
STANDARD COVER PLATE

PROJECT:

CUSTOMER:

LOCATION:

inpro.

For More Information Visit: Inprocorp.com