

# Installation Instructions

## 910 Internationally Compliant Handrails

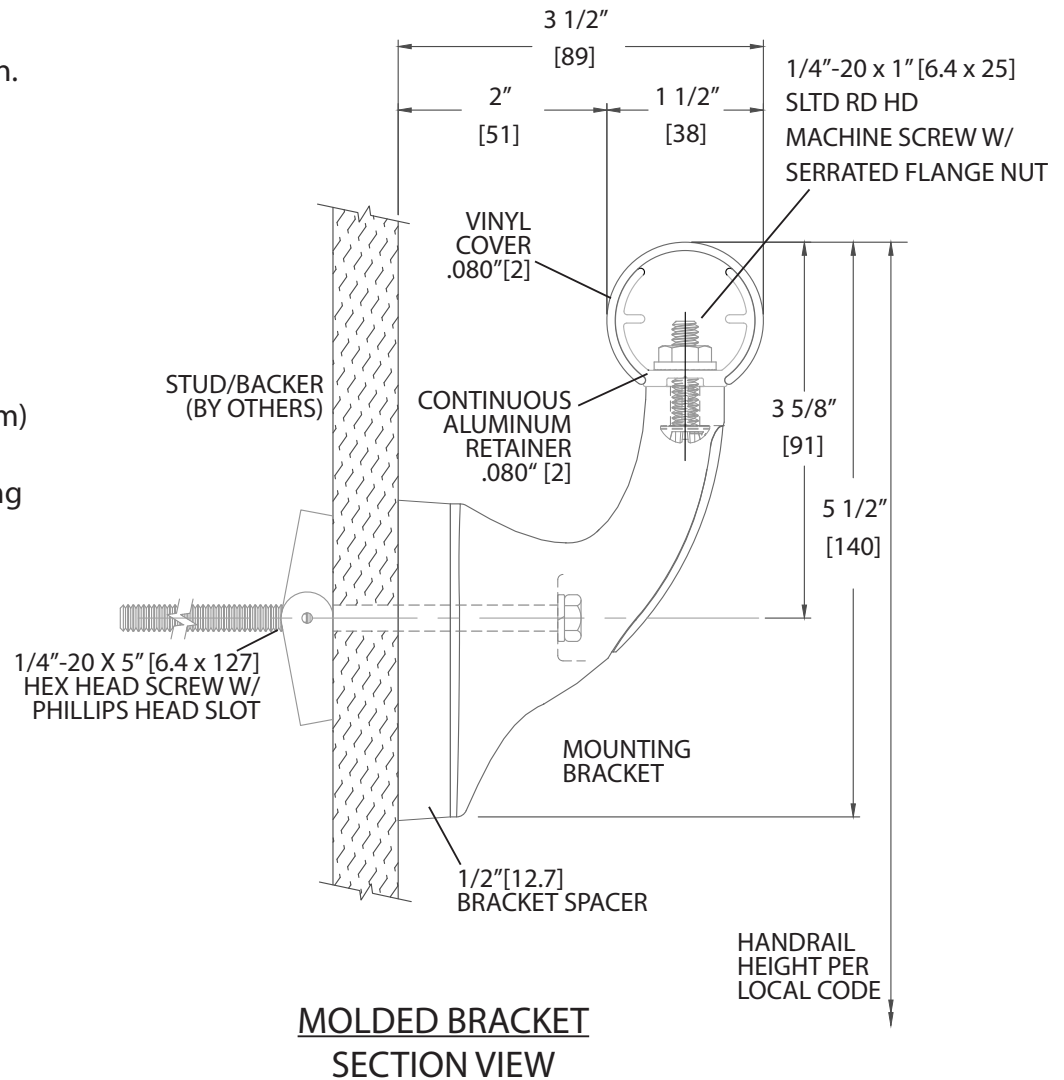
Please read all instructions before installing handrail.

### Important

1. Acclimate materials 24 hrs before installation. Maintain temperature controlled environment after installation.
2. Install in accordance with manufacturer's installation instructions. Failure to do so will void the warranty.

### Installation tips

1. Cut covers up to 1/16" (1.6mm) longer to ensure a tight fit.
2. Lubricate blades when cutting aluminum to reduce burrs.



#### Recommended tools

Safety Glasses, Tape Measure, 3/8" socket for machine screw hex bolt, 7/16" socket for wood screw hex bolt, Level, Phillips and Flat head Screwdrivers, Power Drill, Drill Bits - 1/4" masonry (concrete/ concrete block), Power Miter Saw, 10" Blade with 60-80 Carbide Tipped Teeth.

IPC.2130/REV.1

Installation Hotline • 866.EZINPRO  
 Inprocorp.com • 800.222.5556 • 262.679.9010  
 World Headquarters S80 W18766 Apollo Drive, Muskego, WI 53150 USA

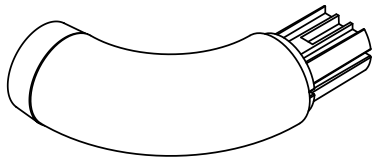
**IPC**® •  
 DOOR + WALL PROTECTION SYSTEMS  
 A DIVISION OF INPRO®

# Installation Instructions

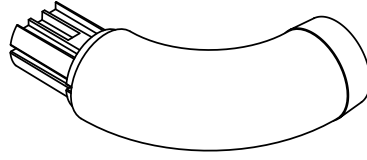
Please read all instructions before installing handrail.

## 910 Internationally Compliant Handrails

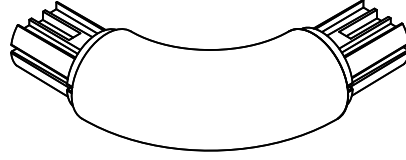
### Component Overview



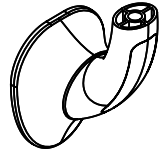
912SP  
LEFT RETURN



913SP  
RIGHT RETURN



914  
INSIDE/OUTSIDE CORNER



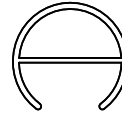
908  
MOLDED  
BRACKET



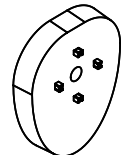
910A  
CONTINUOUS  
ALUMINUM RETAINER



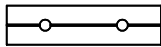
910V  
COVER



910 REVEAL  
STANDARD ON  
G2-910/910FV



908SP  
BRACKET  
SPACER



910-SPL  
SPLICE



1/4-20  
SERRATED  
FLANGE NUT



1/4"-20 X 1"  
SLOTTED ROUND  
HEAD SCREW



1/4"-20 X 7/8"  
SLOTTED ROUND  
HEAD SCREW



#8 X 7/8" PHILLIPS  
PAN HEAD SCREW

Wall Conditions	Specified Fasteners	Inpro Part#
Drywall/Gypsum	1/4-20 x 5" Phillips Hex Head with lockwasher, toggle wing nut and 1/4-20 slotted round head bolt with flanged nut	HWK-908D
Concrete/Concrete Block	1/4"-20 x 5" Phillips hex head with lock washer and lead, 1/4-20 x 1" slotted round head bolt with flanged nut	HWK-908C
Wood/Gypsum	1/4" x 5" Hex head wood screw and 1/2"-20 x 1" slotted round head bolt with lockwasher and flanged nut	HWK-908W
OSHPD Drywall	1/4"-20 x 5" Phillips hex head bolt with Hilti Toggler, 1/4-20 x 1" slotted round bolt with lock washer and flanged nut	HWK-908OD
OSHPD Concrete	1/4" x 4" Torx Hex Washer head and 1/4-20 x 1" slotted round head bolt with flanged nut	HWK-908OC
OSHPD Wood	1/4" x 5" Hex head wood screw with 1/4-20 x 1" slotted round head bolt with lockwasher and flanged hex nut	HWK-908OW
Tech Screw	#14 X 4" Tek Screw, 1/4-20 x 1 1/8" slotted bolt, 1/4-20 x 1" slotted round head bolt with lockwasher and flanged nut	HWK-908S

Installation Hotline • 866.EZINPRO

Inprocorp.com • 800.222.5556 • 262.679.9010

World Headquarters S80 W18766 Apollo Drive, Muskego, WI 53150 USA

IPC®

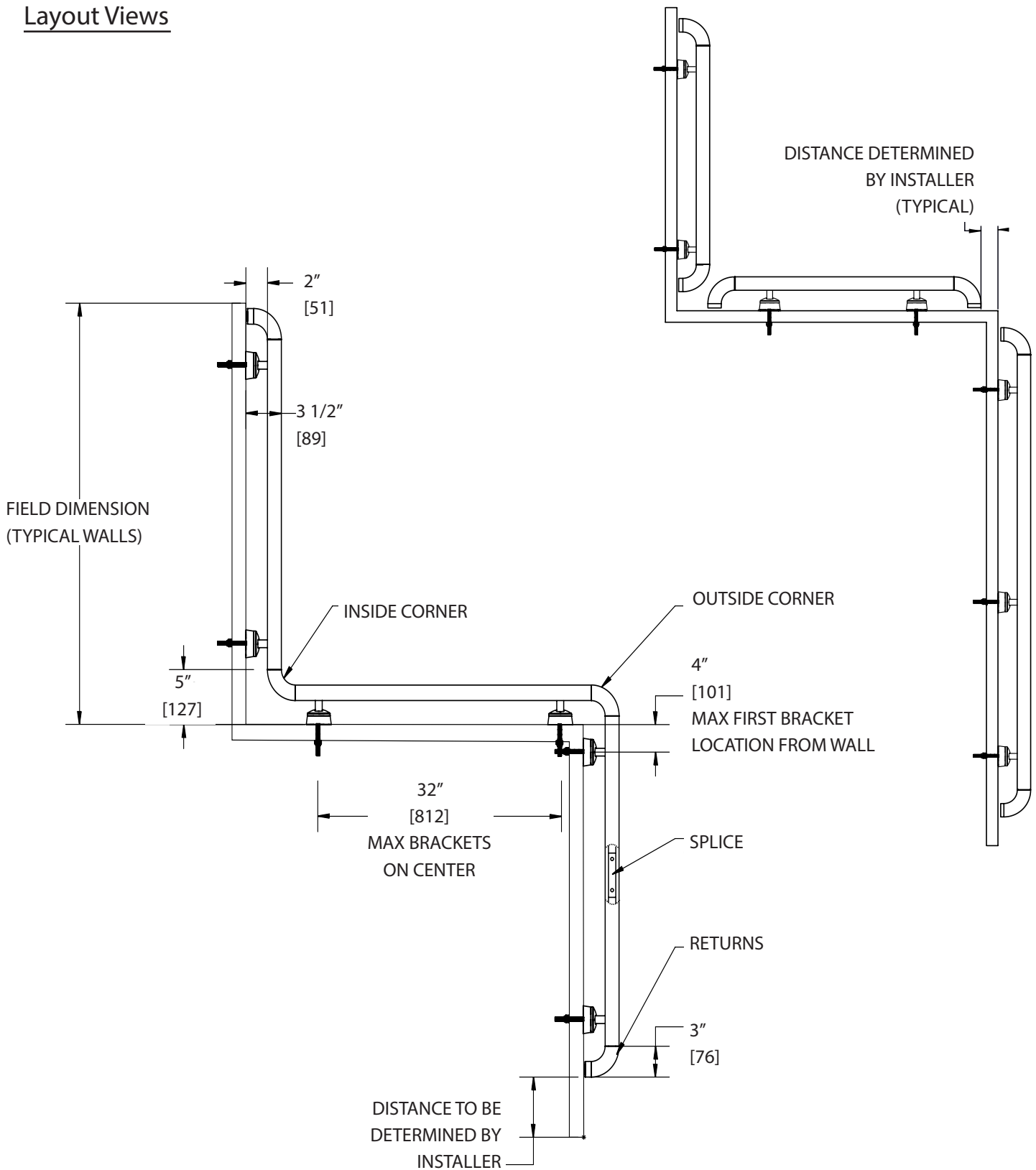
DOOR + WALL PROTECTION SYSTEMS  
A DIVISION OF INPRO®

# Installation Instructions

## 910 Internationally Compliant Handrails

Please read all instructions before installing handrail.

### Layout Views



Installation Hotline • 866.EZINPRO

Inprocorp.com • 800.222.5556 • 262.679.9010

World Headquarters S80 W18766 Apollo Drive, Muskego, WI 53150 USA

IPC®

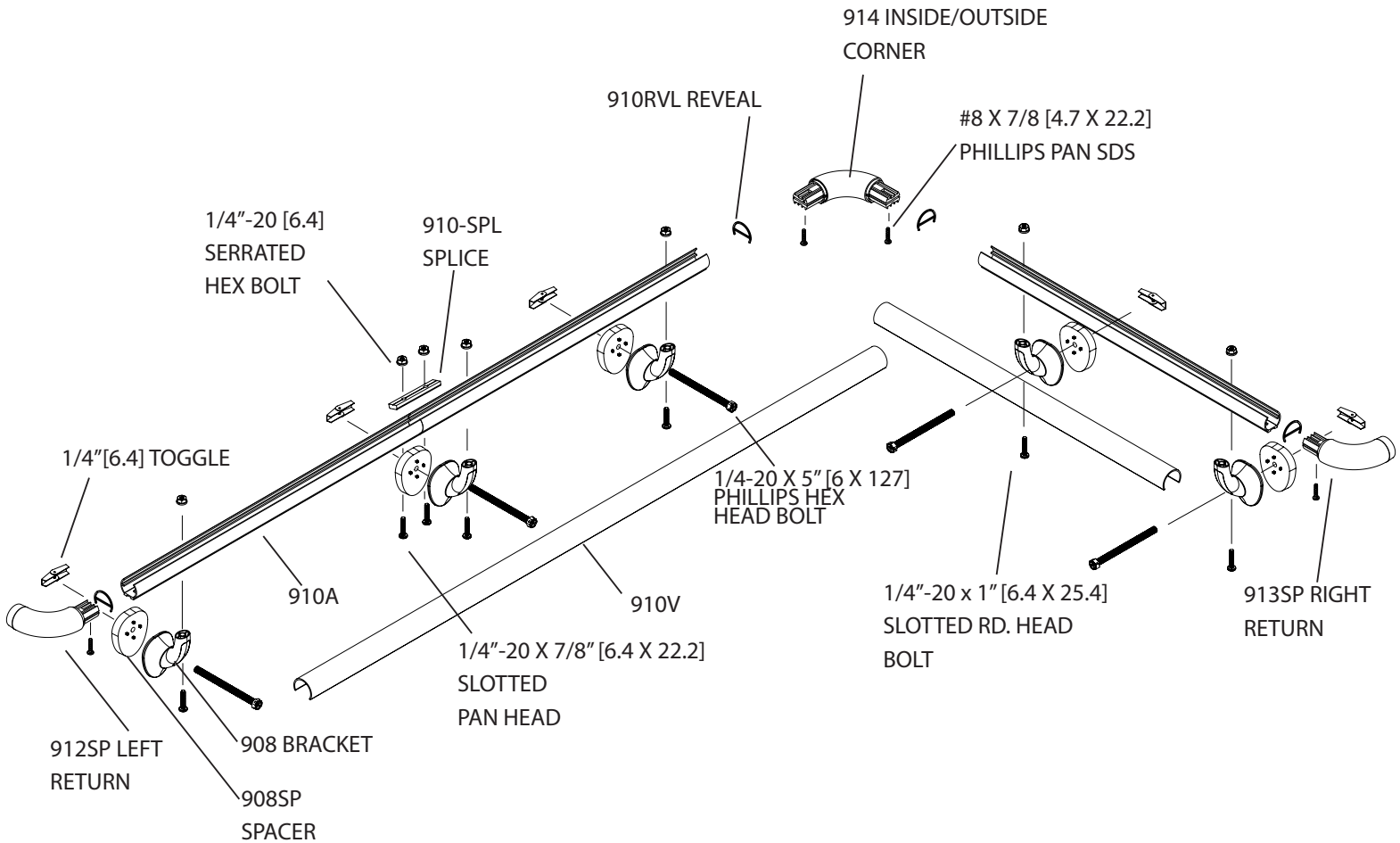
DOOR + WALL PROTECTION SYSTEMS  
A DIVISION OF INPRO®

# Installation Instructions

## 910 Internationally Compliant Handrails

Please read all instructions before installing handrail.

### Molded Exploded View Assembly



Installation Hotline • 866.EZINPRO

Inprocorp.com • 800.222.5556 • 262.679.9010

World Headquarters S80 W18766 Apollo Drive, Muskego, WI 53150 USA

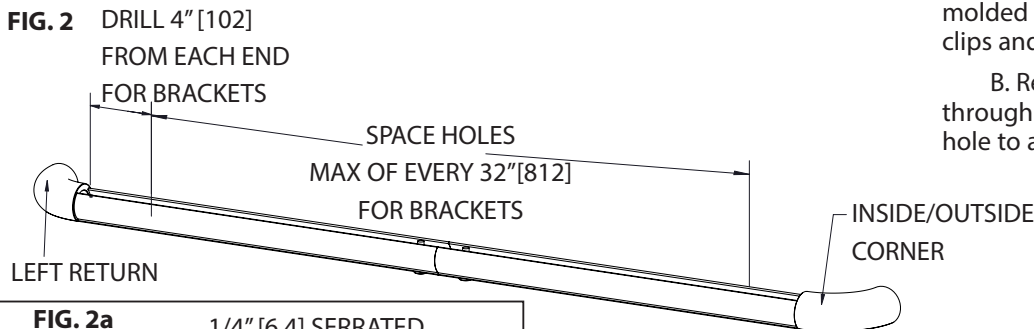
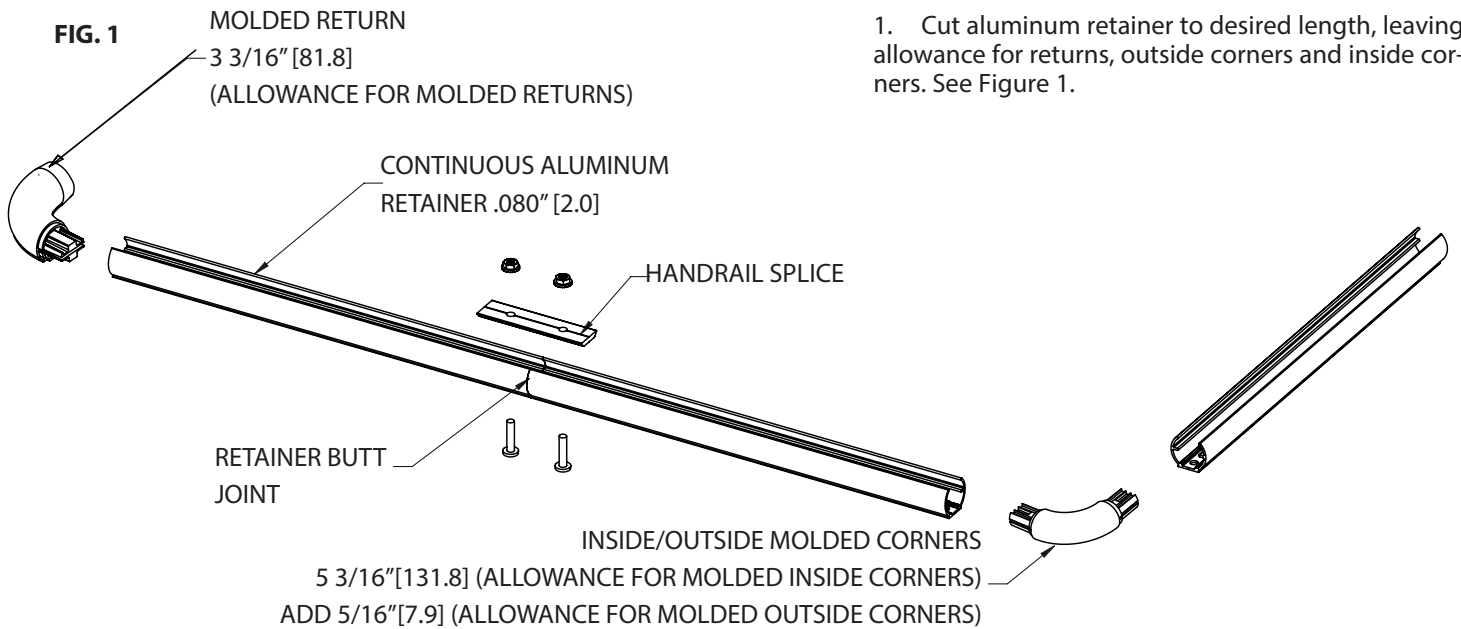
IPC®

DOOR + WALL PROTECTION SYSTEMS  
A DIVISION OF INPRO®

# Installation Instructions

## 910 Internationally Compliant Handrails

Please read all instructions before installing handrail.

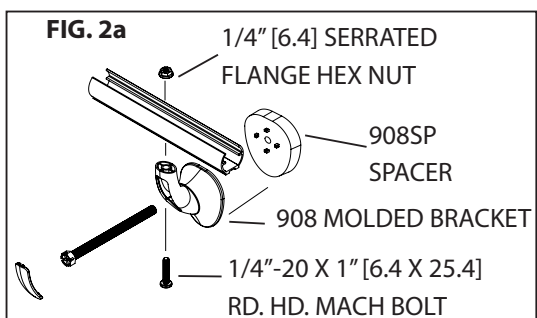


2. Drill holes in centerline of aluminum retainer for brackets using 1/4" (6mm) drill bit. Attach returns, inside corners and outside corners to retainer.

**See Figure 2.**

A. Attach 908 Spacer to back of 908 molded bracket, by aligning crosshairs with clips and pressing together. Figure 2a.

B. Remove cap and run 1" [25.4] bolt up through small end of bracket and retainer hole to attach. See Figure 2a.

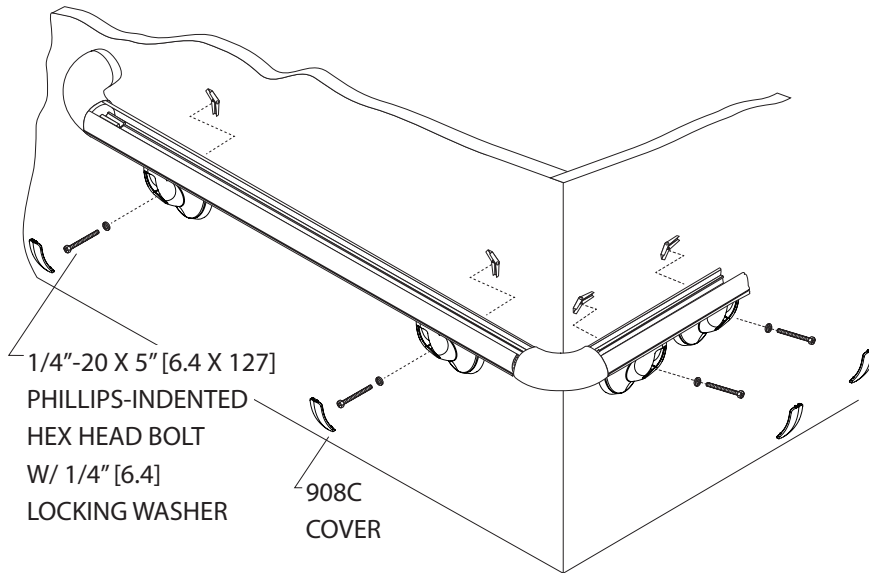


# Installation Instructions

## 910 Internationally Compliant Handrails

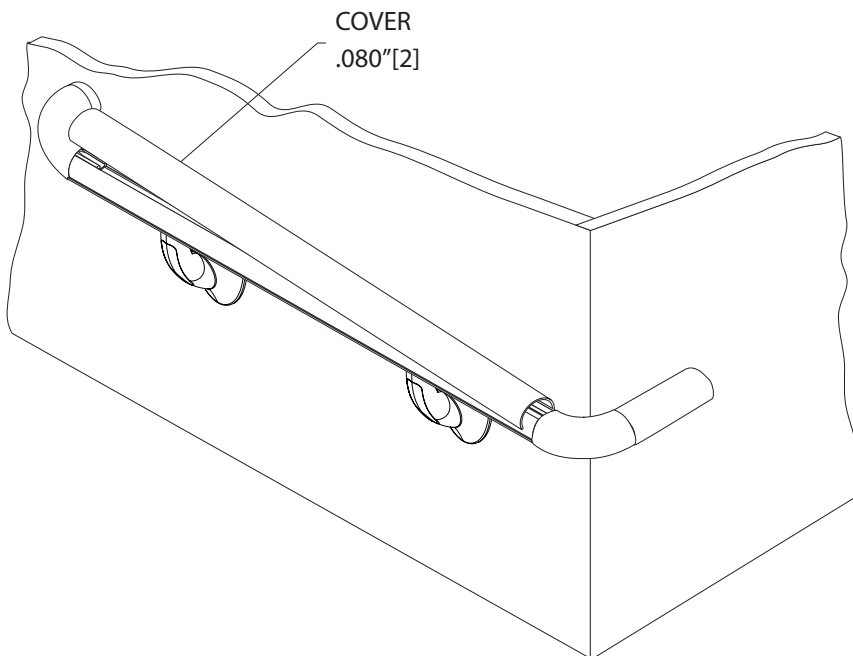
Please read all instructions before installing handrail.

FIG. 3



3. Position retainer against wall at desired height. Level and mark bracket holes on wall. Drill marked holes with 3/4" [19mm] drill bit for toggle bolts (drywall installation) or 1/2" [13mm] drill bit for lead anchor (concrete wall installation). Loosely attach mounting bolts to the brackets. Mount on wall, level retainer and tighten screws to secure. Snap 908C covers on to brackets. See Figure 3.

FIG. 4



4. Cut cover to length between returns and/or corners. (Note: Trim factory edges square before installation). Position cover on retainer at one end and work to the other end by snapping the cover over the retainer. See Figure 4.