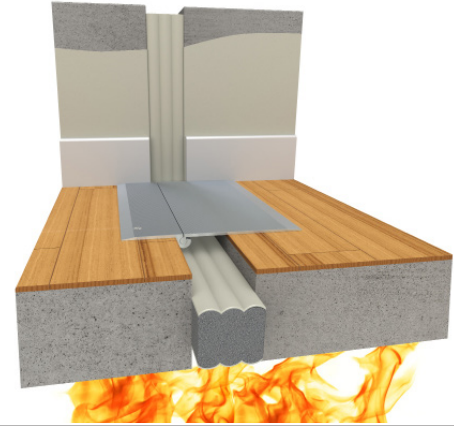


990 2 Hour Fire Rated Foam Seal Series

- 990H2-Floor to Floor
- 990H2-Floor to Wall
- 990V2-Wall to Wall
- 990V2-Wall to Corner



Movement Rating \pm 25%

Product Guide



Thermal



Exterior



Weather Resistant



Fire Rated Option

- Typical system is supplied with one silicone-coated face. Uncoated and dual sided coatings are also available:

P/N example	Coating Style
J990x2-xxx	Single Sided (Standard)
J990x2-xxx DS	Dual Sided
J990x2-xxx UC	Uncoated

- Provides a 2 hour fire rating in accordance with UL-2079 and ULC-5115.
- System meets \pm 25% movement requirements.
- 990 system does not rely on the silicone face for it's rating. The foam is impregnated with fire retardant material, meaning the rating is not compromised due to vandalism or damage to the silicone face.
- Single pick-resistance face optional, standard colors:

Limestone, Tru-White. (custom colors available)

- Seal material is UV stable, and resistant to solvents.
- Fire foam seals are water tight and also have sound attenuation qualities.
- Capable of handling vertical and horizontal joint movement.
- Open cell foam is constantly self-expanding, allowing system to maintain a watertight seal while undergoing rapid joint movement.
- 990 foam seal is supplied to field pre-compressed in lengths of 6-1/2' [2m].
- System is available in 26 standard colors (custom colors available)

Application	System	Joint Width		Seal Height/ Depth		Movement \pm	
		US	mm	US	mm	Compression/Expansion	
						US	mm
990H2 Floor/Floor- Floor/Wall	990H2-050	1/2"	13	4"	102	1/8"	3
	990H2-100	1"	25	4"	102	1/4"	6
	990H2-150	1 1/2"	38	4"	102	3/8"	10
	990H2-200	2"	51	4"	102	1/2"	13
	990H2-250	2 1/2"	64	4"	102	5/8"	16
	990H2-300	3"	76	4"	102	3/4"	19
	990H2-350	3 1/2"	89	4"	102	7/8"	22
	990H2-400	4"	102	4"	102	1"	25
	990H2-450	4 1/2"	114	4"	102	1 1/8"	29
	990H2-500	5"	127	4"	102	1 1/4"	32
990V2 Wall/Wall- Wall/Corner	990V2-050	1/2"	13	4"	102	1/8"	3
	990V2-100	1"	25	4"	102	1/4"	6
	990V2-150	1 1/2"	38	4"	102	3/8"	10
	990V2-200	2"	51	4"	102	1/2"	13
	990V2-250	2 1/2"	64	4"	102	5/8"	16
	990V2-300	3"	76	4"	102	3/4"	19
	990V2-350	3 1/2"	89	4"	102	7/8"	22
	990V2-400	4"	102	4"	102	1"	25
	990V2-450	4 1/2"	114	4"	102	1 1/8"	29
	990V2-500	5"	127	4"	102	1 1/4"	32
	990V2-550	5 1/2"	140	4"	102	1 3/8"	35
	990V2-600	6"	152	4"	102	1 1/2"	38

*Vertical joints require concrete substrate or gypsum/cement board construction to meet UL rating.

*Some systems are offered in double sided only - See chart on Details

IPC.1570/REV.8

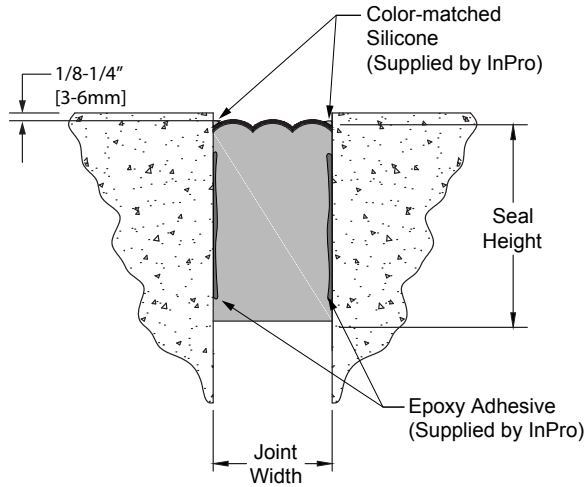
Inprocorp.com • 800.222.5556 • 262.679.9010
World Headquarters S80 W18766 Apollo Drive, Muskego, WI 53150 USA

JOINTMASTER®
EXPANSION JOINT SYSTEMS
A DIVISION OF INPRO®

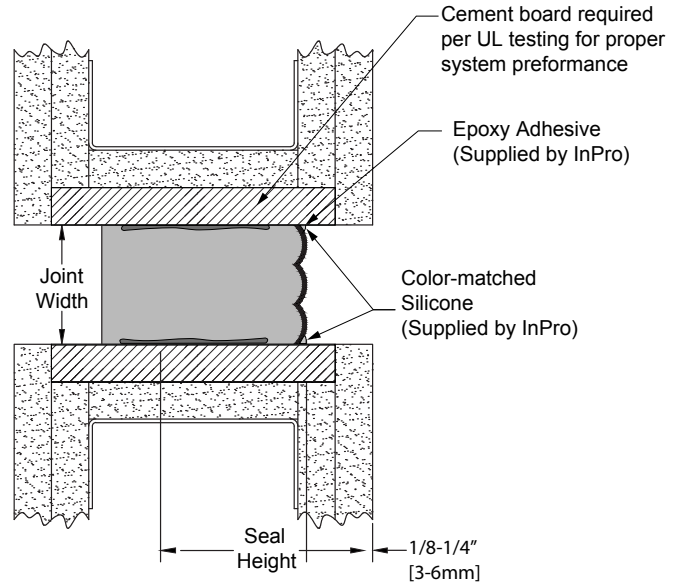
990H2/V2 Fire Rated Foam Seal Series

2 Hour Fire Rated Foam Systems

990H2 Series Floor/Floor
(990H2-250 System Shown)



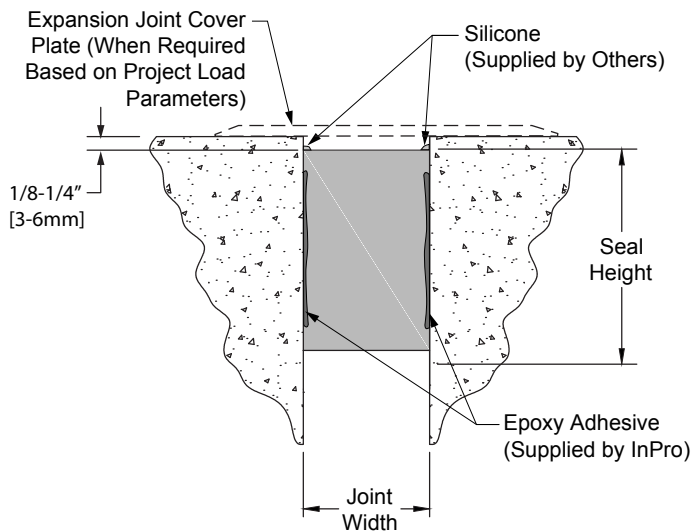
990V2 Series Wall/Wall
(990V2-250 System Shown)



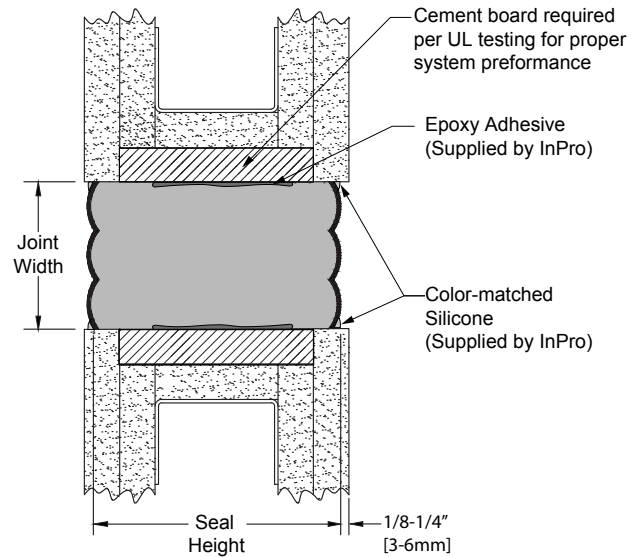
990H2/V2 Series

System Options

990H2 Floor/Floor Uncoated
(990H2-250 UC)



990V2 Wall/Wall Dual Sided
(990V2-400 DS)



Inprocorp.com • 800.222.5556 • 262.679.9010

World Headquarters S80 W18766 Apollo Drive, Muskego, WI 53150 USA

JOINTMASTER®

EXPANSION JOINT SYSTEMS
A DIVISION OF INPRO®