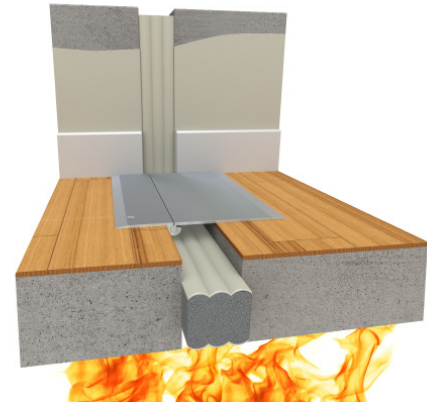


995 2 Hour Fire Rated Foam Seal Series

995H2-Floor to Floor
 995H2-Floor to Wall
 995V2-Wall to Wall
 995V2-Wall to Corner



Movement Rating \pm 50%

Product Guide



Thermal



Exterior



Weather Resistant



Fire Rated Option

- ▶ Typical system is supplied with one silicone-coated face. Uncoated and dual face coatings are also available.

P/N example	Coating Style
J995x2-xxx	Single Sided (Standard)
J995x2-xxx DS	Dual Sided
J995x2-xxx UC	Uncoated

- ▶ Provides a 2 hour fire rating in accordance with UL-2079 and ULC-5115.
- ▶ System meets \pm 50% movement requirements.
- ▶ 995 system does not rely on the silicone face for its rating. The foam is impregnated with fire retardant material, meaning the rating is not compromised due to vandalism or damage to the silicone face.
- ▶ Seal material is UV stable, and resistant to solvents.

- ▶ Single pick-resistance face optional, standard colors: Limestone, Tru-White. (custom colors available)
- ▶ Capable of handling vertical and horizontal joint movement.
- ▶ Open cell foam is constantly self-expanding, allowing system to maintain a watertight seal while undergoing rapid joint movement.
- ▶ Fire foam seals are water tight and also have sound attenuation qualities.
- ▶ 995 foam seal is supplied to field pre-compressed in lengths of 6-1/2' [2m].
- ▶ System is available in 26 standard colors (custom colors available)

Application	System	Joint Width		Seal Height/ Depth		Movement \pm	
		US	mm	US	mm	Compression/Expansion	
						US	mm
995H2 Floor/Floor- Floor/Wall	995H2-050	1/2"	13	4"	102	1/4"	6
	995H2-100	1"	25	4"	102	1/2"	13
	995H2-150	1 1/2"	38	4"	102	3/4"	19
	995H2-200	2"	51	4"	102	1"	25
	995H2-250	2 1/2"	64	4"	102	1 1/4"	32
	995H2-300	3"	76	4"	102	1 1/2"	38
	995H2-350	3 1/2"	89	4"	102	1 3/4"	44
	995H2-400	4"	102	4"	102	2"	51
	995H2-450	4 1/2"	114	4"	102	2 1/4"	57
	995H2-500	5"	127	4"	102	2 1/2"	76
995V2 Wall/Wall Wall/Corner	995V2-050	1/2"	13	4"	102	1/4"	6
	995V2-100	1"	25	4"	102	1/2"	13
	995V2-150	1 1/2"	38	4"	102	3/4"	19
	995V2-200	2"	51	4"	102	1"	25
	995V2-250	2 1/2"	64	4"	102	1 1/4"	32
	995V2-300	3"	76	4"	102	1 1/2"	38
	995V2-350	3 1/2"	89	4"	102	1 3/4"	44
	995V2-400	4"	102	4"	102	2"	51
	995V2-450	4 1/2"	114	4"	102	2 1/4"	57
	995V2-500	5"	127	4"	102	2 1/2"	64
	995V2-550	5 1/2"	140	4"	102	2 3/4"	70
	995V2-600	6"	152	4"	102	3"	76

*Vertical joints require concrete substrate or gypsum/cement board construction to meet UL rating.
 *Some systems are offered in double sided only - See chart on Detail

IPC.1573/REV.8

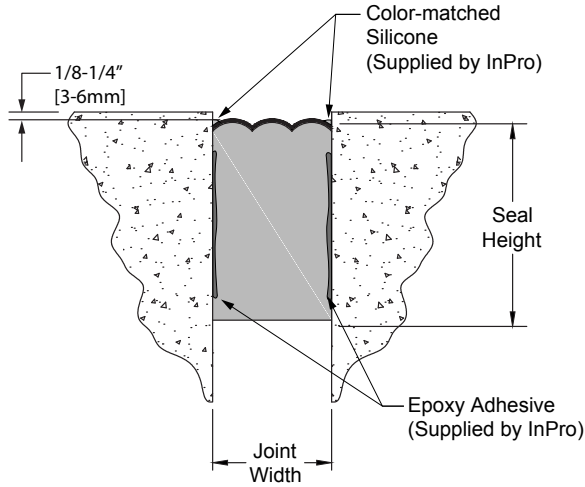
Inprocorp.com • 800.222.5556 • 262.679.9010
 World Headquarters S80 W18766 Apollo Drive, Muskego, WI 53150 USA

JOINTMASTER®
 EXPANSION JOINT SYSTEMS
 A DIVISION OF INPRO®

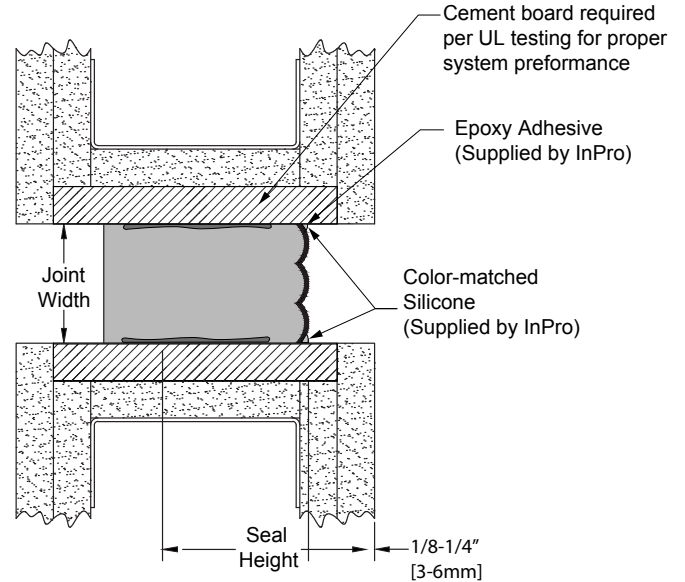
995H2/V2 Fire Rated Foam Seal Series

2 Hour Fire Rated Foam Systems

995H2 Series Floor/Floor
(995H2-250 System Shown)



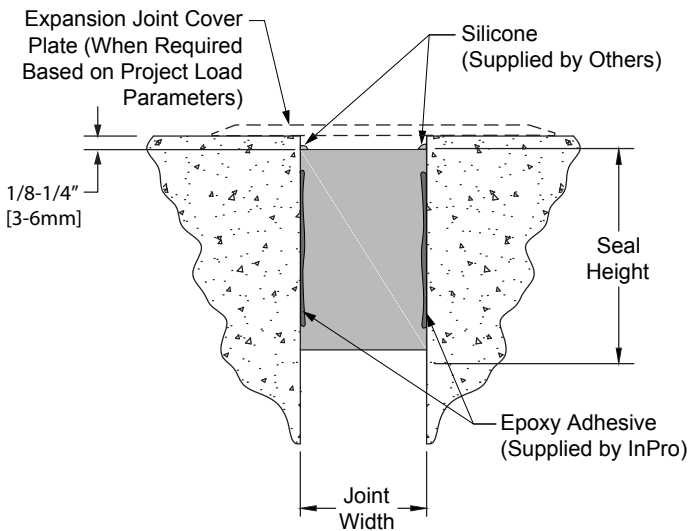
995V2 Series Wall/Wall
(995V2-250 System Shown)



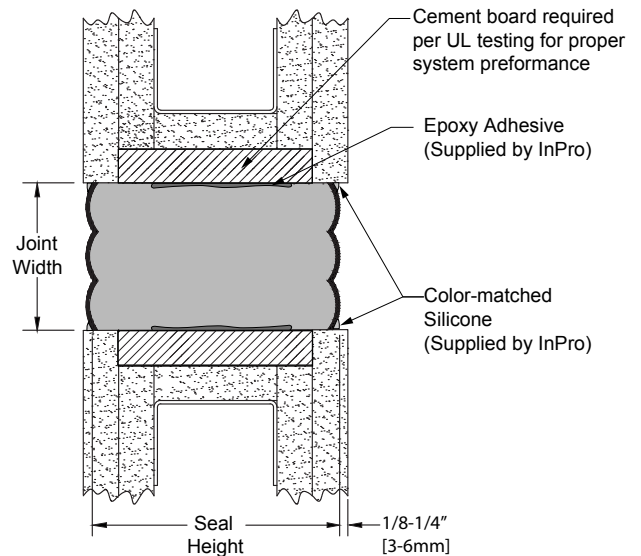
995H2/V2 Series

System Options

995H2 Floor/Floor Uncoated
(995H2-250 UC)



995V2 Wall/Wall Dual Sided
(995V2-400 DS)



Inprocorp.com • 800.222.5556 • 262.679.9010

World Headquarters S80 W18766 Apollo Drive, Muskego, WI 53150 USA

JOINTMASTER®

EXPANSION JOINT SYSTEMS
A DIVISION OF INPRO®