

System	Joint Width		Seal Height		Movement ±			
	US	mm	US	mm	Compression	Expansion		
					US	mm	US	mm
995V2-050 UC	1/2"	13	4"	102	1/4"	6	1/4"	6
995V2-100 UC	1"	25	4"	102	1/2"	13	1/2"	13
995V2-150 UC	1 1/2"	38	4"	102	3/4"	19	3/4"	19
995V2-200 UC	2"	51	4"	102	1"	25	1"	25
995V2-250 UC	2 1/2"	64	4"	102	1 1/4"	32	1 1/4"	32
995V2-300 UC	3"	76	4"	102	1 1/2"	38	1 1/2"	38
995V2-350 UC	3 1/2"	89	4"	102	1 3/4"	44	1 3/4"	44

NOTE:
LENGTH- 6 .5' [1981mm]

JOINTMASTER™
EXPANSION JOINT SYSTEMS

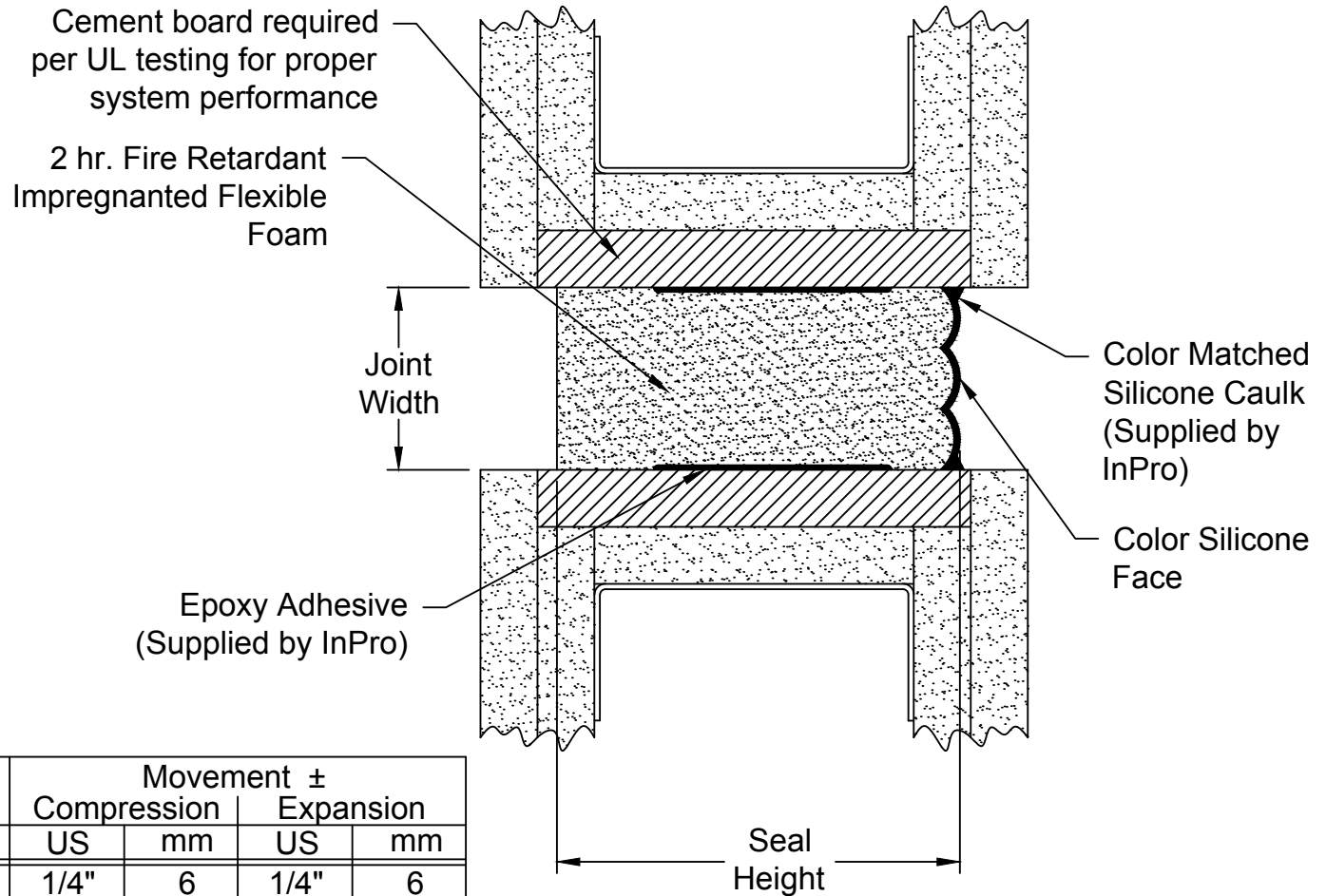
DATE: 2-25-16

SCALE: 1:2

DOC:CADJM.179/Rev2

APPLICATION-
WALL/WALL AND WALL/CORNER
2 HOUR FIRE RATED

inpro.



System	Joint Width		Seal Height		Movement ±			
	US	mm	US	mm	Compression		Expansion	
					US	mm	US	mm
995V2-050	1/2"	13	4"	102	1/4"	6	1/4"	6
995V2-100	1"	25	4"	102	1/2"	13	1/2"	13
995V2-150	1 1/2"	38	4"	102	3/4"	19	3/4"	19
995V2-200	2"	51	4"	102	1"	25	1"	25
995V2-250	2 1/2"	64	4"	102	1 1/4"	32	1 1/4"	32
995V2-300	3"	76	4"	102	1 1/2"	38	1 1/2"	38
995V2-350	3 1/2"	89	4"	102	1 3/4"	44	1 3/4"	44

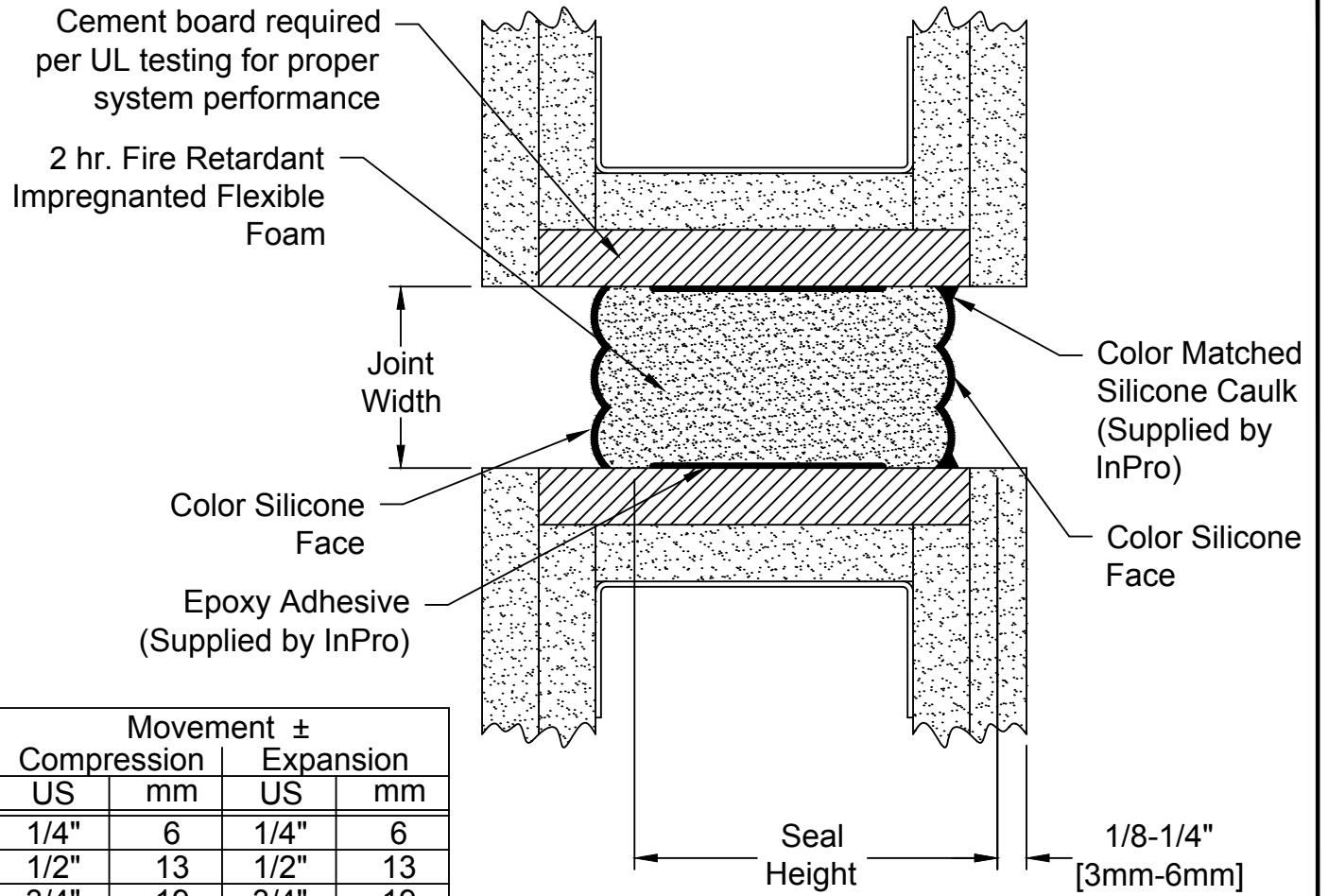
NOTE:
LENGTH- 6 .5' [1981mm]

JOINTMASTER™
EXPANSION JOINT SYSTEMS

DATE: 2-25-16
SCALE: 1:2
DOC: CADJM.179/Rev2

APPLICATION-
WALL/WALL AND WALL/CORNER
2 HOUR FIRE RATED

inpro.



System	Joint Width		Seal Height		Movement ±			
	US	mm	US	mm	Compression		Expansion	
					US	mm	US	mm
995V2-050 DS	1/2"	13	4"	102	1/4"	6	1/4"	6
995V2-100 DS	1"	25	4"	102	1/2"	13	1/2"	13
995V2-150 DS	1 1/2"	38	4"	102	3/4"	19	3/4"	19
995V2-200 DS	2"	51	4"	102	1"	25	1"	25
995V2-250 DS	2 1/2"	64	4"	102	1 1/4"	32	1 1/4"	32
995V2-300 DS	3"	76	4"	102	1 1/2"	38	1 1/2"	38
995V2-350 DS	3 1/2"	89	4"	102	1 3/4"	44	1 3/4"	44
995V2-400 DS	4"	102	4"	102	2"	50	2"	50
995V2-450 DS	4 1/2"	114	4"	102	2 1/4"	57	2 1/4"	57
995V2-500 DS	5"	127	4"	102	2 1/2"	64	2 1/2"	64
995V2-550 DS	5 1/2"	140	4"	102	2 3/4"	70	2 3/4"	70
995V2-600 DS	6"	152	4"	102	3"	76	3"	76

NOTE:
LENGTH- 6 .5' [1981mm]

JOINTMASTER™
EXPANSION JOINT SYSTEMS

DATE: 2-25-16
SCALE: 1:2
DOC:CADJM.179/Rev2

APPLICATION-
WALL/WALL AND WALL/CORNER
2 HOUR FIRE RATED

inpro.