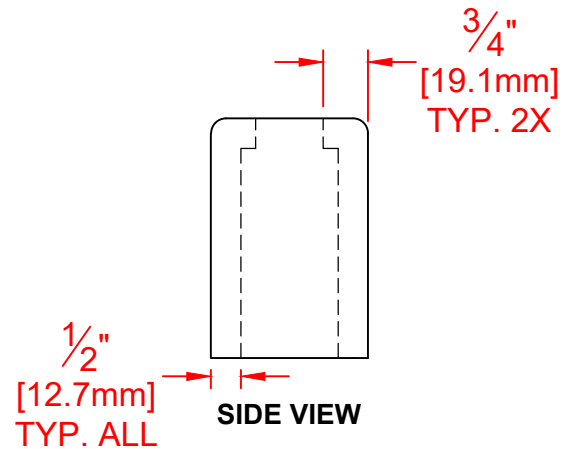
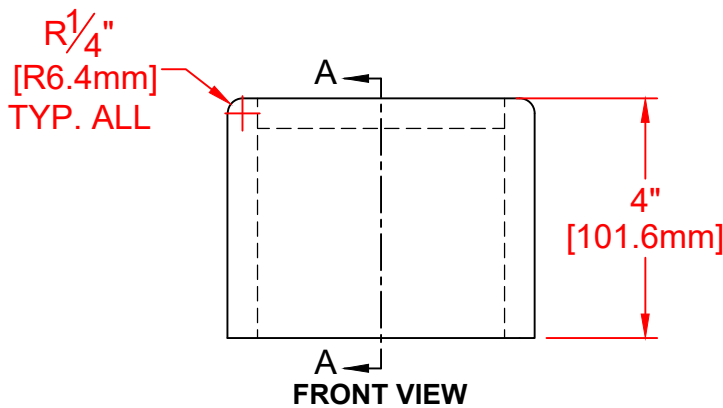
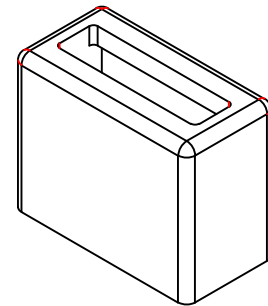
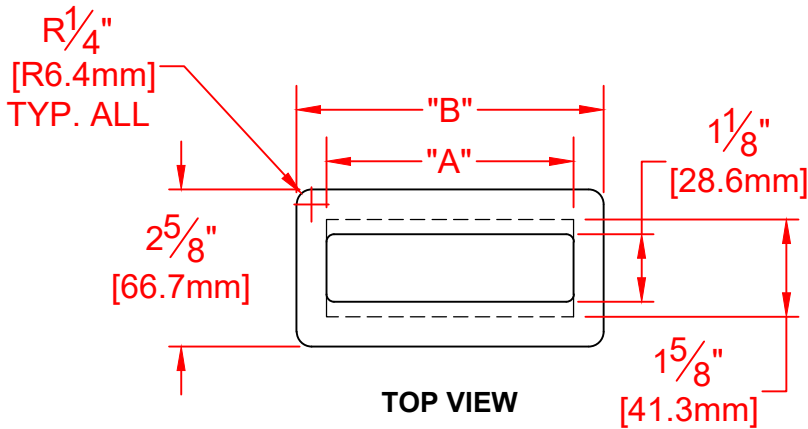


PART NUMBER	PILASTER SIZE	"A" DIM	"B" DIM
DSSH0E03	3.00" [76.2]	3.13" [79.5]	4.13" [104.9]
DSSH0E04	4.00" [101.6]	4.13" [104.9]	5.13" [130.3]
DSSH0E05	5.00" [127.0]	5.13" [130.3]	6.13" [155.7]
DSSH0E06	6.00" [152.4]	6.13" [155.7]	7.13" [181.1]
DSSH0E07	7.00" [177.8]	7.13" [181.1]	8.13" [206.5]
DSSH0E08	8.00" [203.2]	8.13" [206.5]	9.13" [231.9]
DSSH0E09	9.00" [228.6]	9.13" [231.9]	10.13" [257.3]
DSSH0E10	10.00" [254.0]	10.13" [257.3]	11.13" [282.7]
DSSH0E12	12.00" [304.8]	12.13" [308.1]	13.13" [333.5]
DSSH0E14	14.00" [355.6]	14.13" [358.9]	15.13" [384.3]
DSSH0E16	16.00" [406.4]	16.13" [409.7]	17.13" [435.1]
DSSH0E18	18.00" [457.2]	18.13" [460.5]	19.13" [485.9]
DSSH0E20	20.00" [508.0]	20.13" [511.3]	21.13" [536.7]
DSSH0E22	22.00" [558.8]	22.13" [562.1]	23.13" [587.5]
DSSH0E24	24.00" [609.6]	24.13" [612.9]	25.13" [638.3]



DATE: 01/28/2019

SCALE: NTS

DOC.CADEN.098/rev 1

BIOPRISM® SOLID SURFACE
PILASTER SHOES

inpro.