

BioPrism® Solid Surface Installation Instructions Shower Receptor/Base

for use with all Custom (non Trench or Standard)

Please read all instructions before installing products.

STORAGE & HANDLING:

Check for damage that may have occurred during transit. Keep receptor flat on pallet, as it was shipped, until ready to install. Allow receptor to acclimate to room temperature (65°F - 75°F, 18°C - 23°C), for 24 hours, prior to handling. When handling, make sure to keep the receptor flat and level, use two people. A pallet jack or flat cart is recommended for transporting. *DO NOT LEAN RECEPTOR ON ITS SIDE. THIS WILL DAMAGE THE WATER BARRIER.*

BEFORE INSTALLATION:

Confirm that the sizes, styles, and colors are the same as your order. Check all specifications to ensure that you have the right receptor for the job. For orders with multiple room numbers, upon request, each receptor will be tagged with the room number on it.

RECOMMENDED TOOLS:

Safety glasses, dust masks, tape measure, caulking gun, 24" - 48" (61 cm - 122 cm) level, shims, 1/2" x 1/2"(12.7 mm) square notch trowel.

MORTAR, ADHESIVES AND SEALANTS:

For substrate deviation or voids greater than 1/2" (12.70 mm) use Type N mortar mix, follow the manufacturer's instructions. Use thin-set type mortar for substrate deviation or voids less than 1/2" (12.70 mm). Apply enough mortar to fill all voids in substrate and level the receptor with shims as necessary.

Bonding: Translucent 100% Silicone Sealant

Sealants: Translucent 100% Silicone Sealant or color matched caulk

ROUGH-IN SPECIFICATIONS:

- Refer to custom order forms and/or order drawings for drain location of each receptor.
- Stud opening should be larger than receptor, see table on page 5.
- Minimum 4 1/2" Diameter Core Hole
- Use Inpro's "Receptor Measurement Guide" for size calculations.

IPC.1311/REV.12

ENDURANT® Washroom Systems

inpro.com • 800.222.5556 • 262.679.9010

World Headquarters S80 W18766 Apollo Drive, Muskego, WI 53150 USA

Installation Hotline: 866.394.6776

inpro®

BioPrism® Solid Surface Installation Instructions Shower Receptor/Base

for use with all Custom (non Trench or Standard)

FIG.1

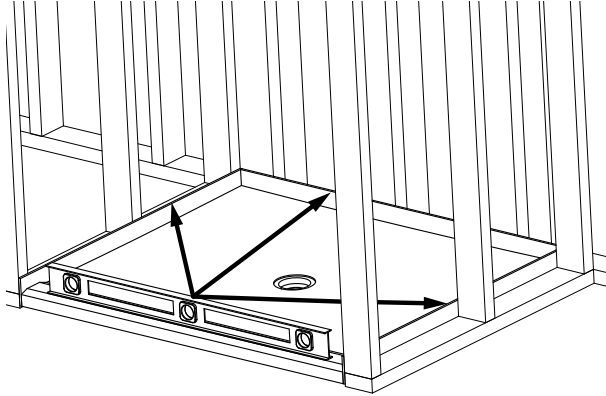
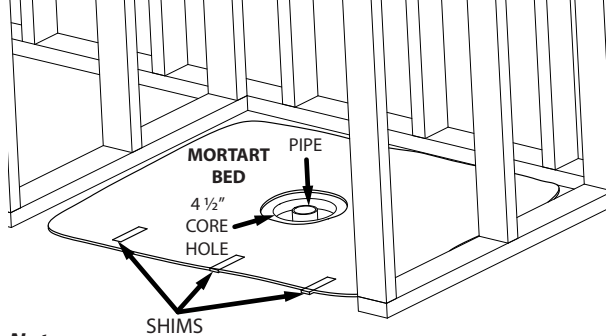


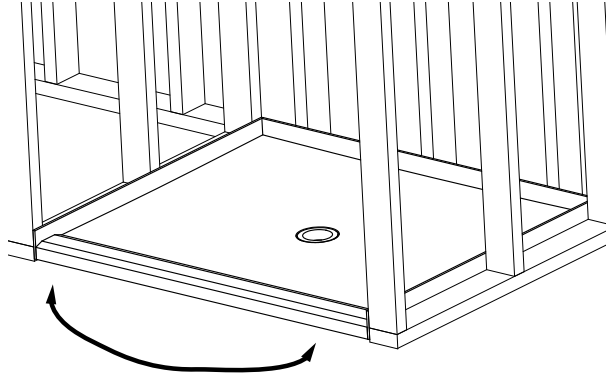
FIG.2



Note:

- For substrate deviations or voids greater than 1/2" (12.70mm), use a Type N mortar mix.
- For substrate deviations or voids less than 1/2" (12.70mm), use a thinset-type mortar mix.
- Underside of receptor may vary from level no more than 1/4" due to the curing process.

FIG.3



INSTALLATION OF THE SHOWER RECEPTOR/BASE

Note:

- Receptor is installed before green board/cement board or other wall substrate.
- 4 1/2" core hole is required at drain location before receptor installation.

1. Using the 4-foot (122cm) level, make sure floor substrate is level. Place shims as needed to level.

2. Dry fit the receptor, there should be a 3/16" - 5/16" gap from the stud walls depending on which type of water barrier is used. For the brass drain assembly, cut the drain pipe flush with the floor.

Note:

- To determine actual stud wall gap see water barrier details on page 5.

3. Using a level, check for level in the locations shown (*i.e. side to side and front to back*). Make necessary changes, to shims, to level receptor. *See Figure 1.*

Note:

- Shims should fully support the receptor, shims may be adhered to the floor so they do not move. If the floor is out of level more than 1/2" the floor will need to be ground level prior to shimming.

4. Remove receptor from the opening. Mix the mortar. Apply enough mortar to fully support the whole receptor and be careful not to move the shims. *See Figure 2.*

Note:

- If adhering the receptor to a wood floor substrate, use 100% silicone and place large drops, every 12" (30cm) square, on the floor area to be covered.

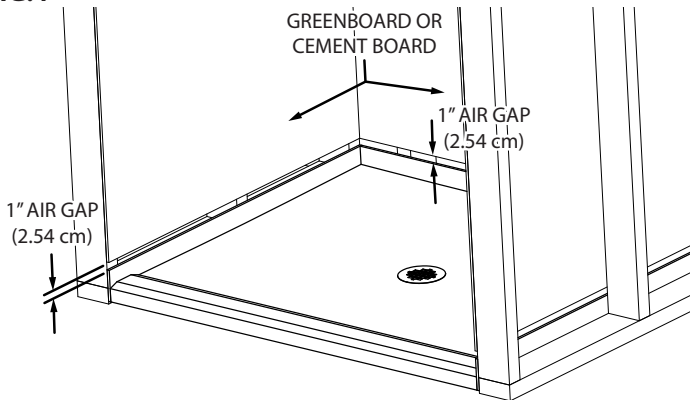
5. Install drain assembly. See manufacturer's installation instructions and instructions on the following pages.

6. Return the receptor to the opening and shift back-and-forth until it is resting firmly on the mortar bed and shims. Confirm receptor is still level in all directions. *See Figure 1.* Adjust if necessary. After mortar is set, cut off any exposed shims. *See Figure 3.*

BioPrism® Solid Surface Installation Instructions Shower Receptor/Base

for use with all Custom (non Trench or Standard)

FIG.4

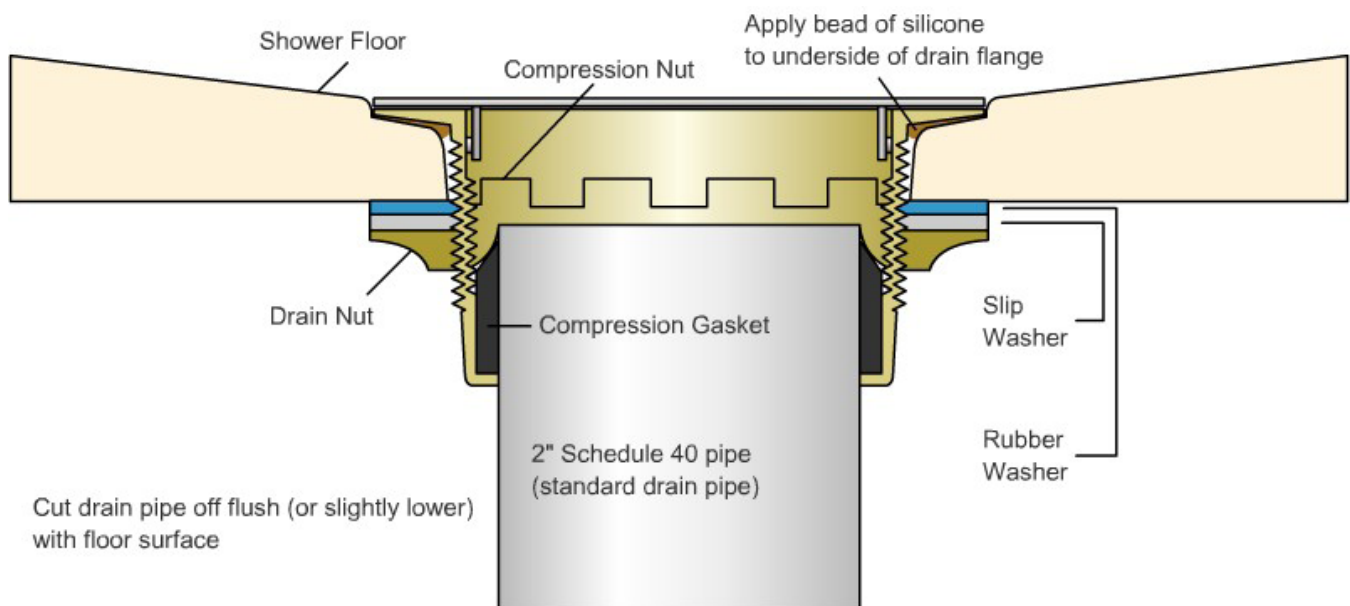


INSTALLATION OF THE SHOWER RECEPTOR/BASE

7. Once the mortar cures, tighten the drain sleeve compression nut and install the strainer as shown in the drain assembly instructions.

8. Install green board/cement board or other wall substrate stopping 1" (2.54 cm) above the water barrier. See Figure 4.

DRAIN INSTALLATION



ENDURANT® Washroom Systems

inpro.com • 800.222.5556 • 262.679.9010

World Headquarters S80 W18766 Apollo Drive, Muskego, WI 53150 USA

Installation Hotline: 866.394.6776

inpro®

BioPrism® Solid Surface Installation Instructions Shower Receptor/Base

for use with all Custom (non Trench or Standard)

FIG.5

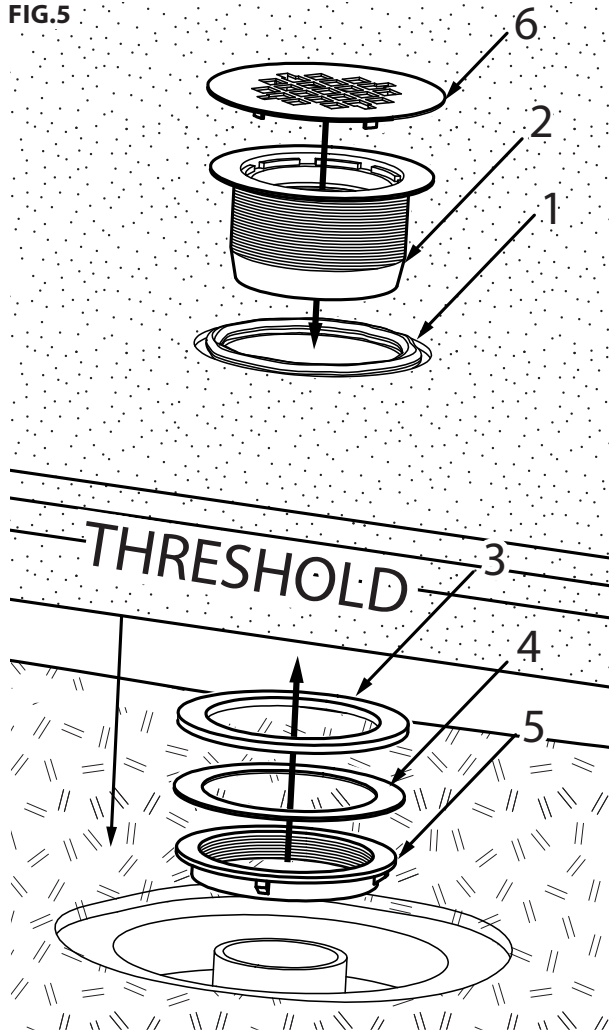
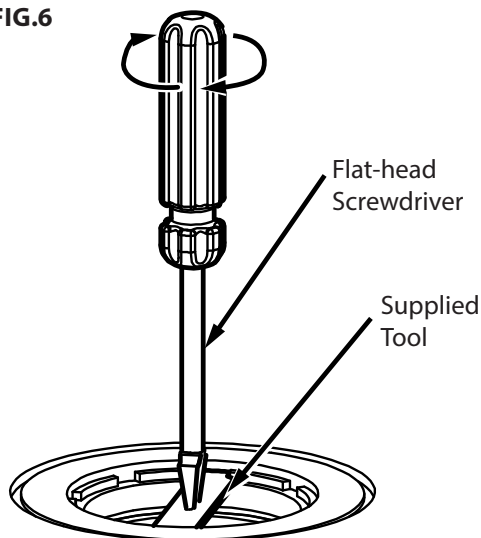


FIG.6



DRAIN INSTALLATION INSTRUCTIONS

1. Apply a bead of silicone sealant to form a water tight seal. *See Figure 5 Item 1.*
 2. Insert the drain body (*Figure 5 Item 2*) into the drain opening, apply light pressure to seat the drain body in the bead of silicone sealant.
 3. Slide the rubber washer (*Figure 5 Item 3*) and fiber gasket (*Figure 6 Item 4*) onto the end of the drain body that is sticking out of the receptor base.
 4. Thread the locking nut (*Figure 5 Item 5*) onto the end of the drain body, tighten the nut to secure the drain assembly to the receptor base.
- Note:**
- Do not over tighten the locking nut, this could crack the receptor base.
 - Clean any excess silicone that squeezes out with denatured alcohol and white paper towel or clean rags.
5. Carefully lower the receptor over the 2" (5.08cm) Schedule 40 DWV pipe. If you **DO NOT** have a 2" (5.08cm) Schedule 40 DWV pipe, you will need a different rubber sleeve compression gasket for the drain assembly. Please contact your local plumbing supplier.
 6. Using the supplied tool and a flat-head screwdriver, tighten the compression nut to tighten the compression sleeve onto the drain pipe. *See Figure 6.*
 7. Install strainer by centering the strainer on the drain body and pressing down firmly to seat the tangs onto the drain body. *See Figure 5 Item 6.*

ENDURANT® Washroom Systems

inpro.com • 800.222.5556 • 262.679.9010

World Headquarters S80 W18766 Apollo Drive, Muskego, WI 53150 USA

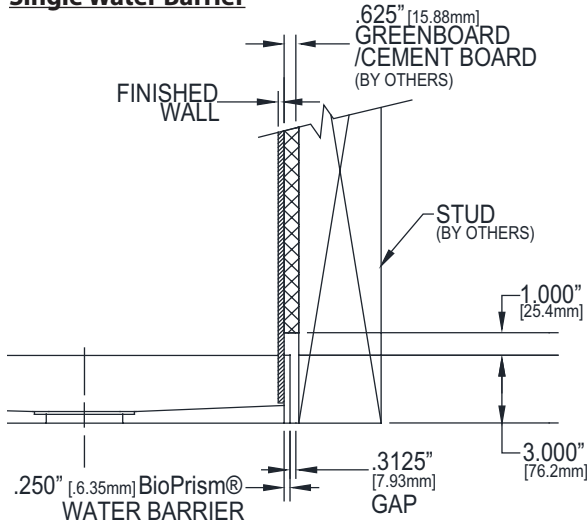
Installation Hotline: 866.394.6776

inpro®

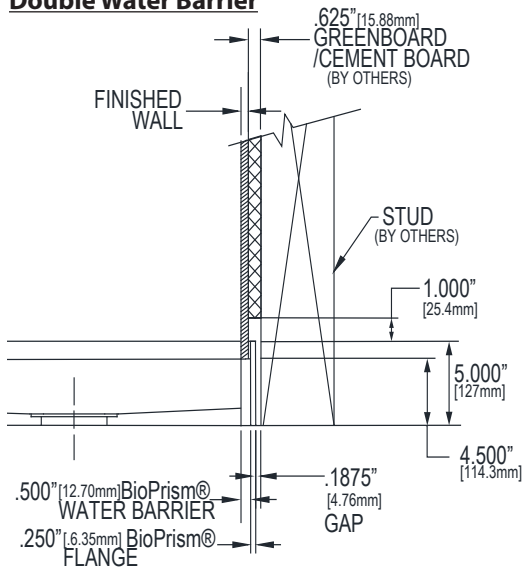
BioPrism® Solid Surface Installation Instructions Shower Receptor/Base

for use with all Custom (non Trench or Standard)

Single Water Barrier



Double Water Barrier



INSTALLATION OF THE SHOWER RECEPTOR/BASE

1. When installing an ADA receptor that has a 1/2" (1.27cm) max threshold, recess the receptor into the floor (see table below).

CUTTING INTO THE FLOORING MAY BE REQUIRED TO MEET ADA REQUIREMENTS. Allow for the finish flooring when making all measurements and cuts. *See Figure 7.*

Concrete construction - Remove concrete from the receptor location using a concrete grinder or a circular saw and masonry blade.

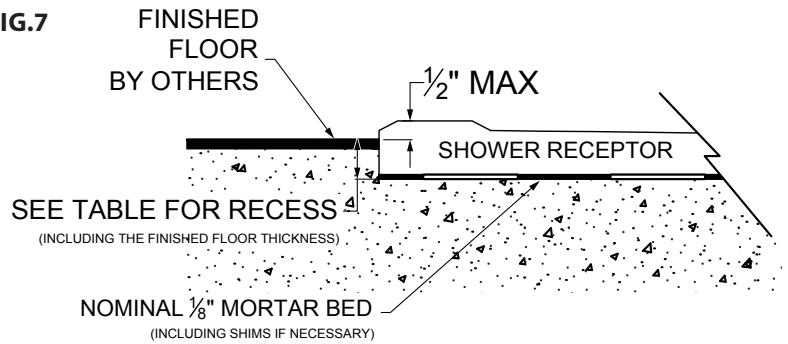
Concrete Grinder - Grind 3/16" - 1/4" (4.75mm - 6.35mm) of concrete per pass from the receptor location. After the first pass, remove additional material with a second pass 90° to the first. Continue this procedure until the required depth is achieved. Remove material from corners with a hammer and cold chisel.

Circular Saw - Set the depth of the blade to the required distance. Make multiple cuts in the concrete. After cutting, knock out the concrete with a hammer and cold chisel.

Wood Construction or Non-Recessed Concrete Slab

Build up finish floor to necessary height or include a ramp to threshold to complete installation.

FIG.7



Receptor Dimension Table

Inside Clear Dimension, Wall to Wall with 5/8" Substrate & 1/4" BioPrism®	Outside Receptor Dimension	Rough-in Dimension	Center Drain, Recess Amount (nominal)	Offset Drain, Recess Amount (nominal)*
36" x 36" [914.4 x 914.4]	37 1/4" x 36 5/8" [946.2 x 930.3]	37 7/8" x 36 1/16" [962 x 916]	1 1/4" [31.8]	1 5/8" [41.3]
48" x 36" [1219.20 x 914.4]	49 1/4" x 36 5/8" [1251 x 930.3]	49 7/8" x 36 1/16" [1266.8 x 916]	1 3/8" [34.9]	1 11/16" [42.9]
48" x 48" [1219.2 x 1219.2]	49 1/4" x 48 5/8" [1251 x 1235.1]	49 7/8" x 48 1/16" [1266.8 x 1220.8]	1 7/16" [36.5]	1 15/16" [49.2]
60" x 36" [1524 x 914.4]	61 1/4" x 36 5/8" [1555.8 x 930.3]	61 7/8" x 36 1/16" [1571.6 x 916]	1 1/2" [38.1]	2" [50.8]
60" x 48" [1524 x 1219.2]	61 1/4" x 48 5/8" [1555.8 x 1235.1]	61 7/8" x 48 1/16" [1571.6 x 1220.8]	1 1/2" [38.1]	2 1/8" [54]
60" x 60" [1524 x 1524]	61 1/4" x 60 5/8" [1555.8 x 1539.9]	61 7/8" x 60 1/16" [1571.6 x 1525.6]	1 5/8" [41.3]	2 5/16" [58.7]

- Dimensions in [] are in mm
- Dimensions are based on Single 3" Water Barrier
- For custom sizes reference the Inpro Receptor Measurement Guides
- Rough-in depth; assumes 5/8" substrate with 1/4" finished wall cladding outside of shower

* Calculated with drain center 7 1/4" from the outside of the back and side water barriers

ENDURANT® Washroom Systems

inpro.com • 800.222.5556 • 262.679.9010

World Headquarters S80 W18766 Apollo Drive, Muskego, WI 53150 USA

Installation Hotline: 866.394.6776

inpro®