

BioPrism® Solid Surface

Installation Instructions Oval Recessed Soap Dish

Please read all instructions before installing products.

FIG. 1

Transfer
Template
to Wall

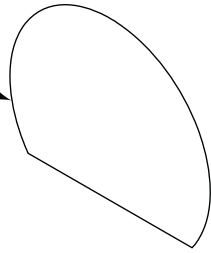


FIG. 2

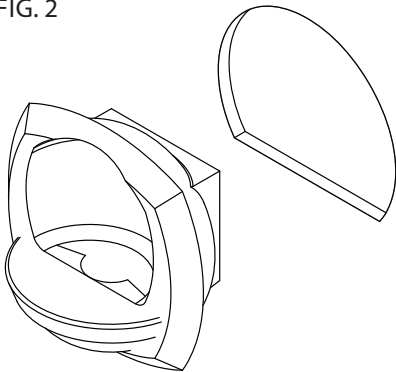


FIG. 3

Silicone
Adhesive

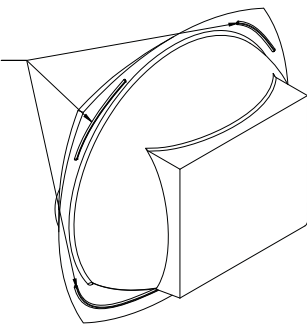


FIG. 4

Drops of
Hot Melt
Adhesive

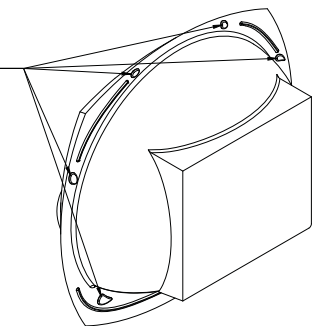


FIG. 5

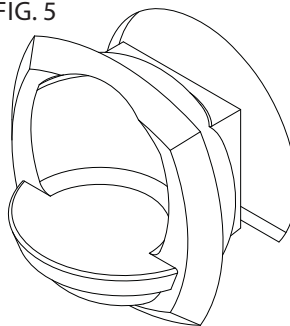
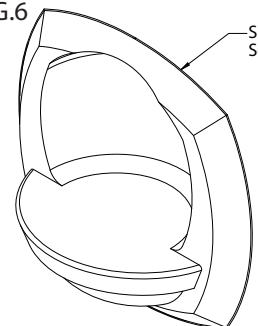


FIG.6

Silicone
Sealant



1. Determine the soap dish location on the wall. Avoid locating where a stud may interfere.
2. Transfer the template to the wall. *See Figure 1.*
3. Drill a 3/8" hole in each corners of the template. Using a jigsaw, cut a hole in the wall, following the template. Dry fit the soap dish in opening. Use a level, across the soap dish, to ensure proper placement. Trace guide lines on panel, for alignment when gluing in place. *See Figure 2.*
4. Apply beads of silicone adhesive to the back flange of the dish, leaving room for hot melt glue. *See Figure 3.*
5. Apply hot melt glue to several locations on the back of the dish. *See Figure 4.*
6. Immediately position the dish in the wall cavity, making sure the dish is level. Remove any excess adhesive with de-natured alcohol. Secure the soap dish to the wall with tape, until the adhesive cures. *See Figure 5.*
7. Lay a bead of silicone around the perimeter, where the dish meets the wall. Clean-up excess silicone with de-natured alcohol. *See Figure 6.*

IPC.1322/REV.4

Installation Hotline • 866.EZINPRO
Inprocorp.com • 800.222.5556 • 262.679.9010
World Headquarters S80 W18766 Apollo Drive, Muskego, WI 53150 USA

ENDURANT®
 WASHROOM SYSTEMS