

BioPrism[®] Solid Surface Installation Instructions Shower Receptor/Base

for use with Standard Receptors

Please read all instructions before installing products.

STORAGE & HANDLING:

Check for damage that may have occurred during transit. Keep receptor flat on pallet, as it was shipped, until ready to install. Allow receptor to acclimate to room temperature (65°F - 75°F, 18°C - 23°C), for 24 hours, prior to handling. When handling, make sure to keep the receptor flat and level, use two people. A pallet jack or flat cart is recommended for transporting. *DO NOT LEAN RECEPTOR ON ITS SIDE. THIS WILL DAMAGE THE WATER BARRIER.*

BEFORE INSTALLATION:

Confirm that the sizes, styles, and colors are the same as your order. Check all specifications to ensure that you have the right receptor for the job. For orders with multiple room numbers, upon request, each receptor will be tagged with the room number on it.

RECOMMENDED TOOLS:

Safety glasses, dust masks, tape measure, caulking gun, 2' (61 cm) or 4' (122 cm) level, shims, 1/2" x 1/2" (12.7 mm) square notch trowel.

MORTAR, ADHESIVES AND SEALANTS:

For substrate deviation or voids greater than 1/2" (12.70 mm) use Type N mortar mix, follow the manufacturer's instructions. Use thin-set type mortar for substrate deviation or voids less than 1/2" (12.70 mm). Apply enough mortar to fill all voids in substrate.

Sealants: Translucent 100% Silicone Sealant or color matched caulk

ROUGH-IN SPECIFICATIONS:

- Refer to website drawings for drain location of each receptor.
- Stud opening should be larger than receptor, see table on page 4.

IPC.1988/REV.5

ENDURANT[®] Washroom Systems

inpro.com • 800.222.5556 • 262.679.9010

World Headquarters S80 W18766 Apollo Drive, Muskego, WI 53150 USA

Installation Hotline: 866.394.6776

inpro[®]

BioPrism® Solid Surface Installation Instructions Shower Receptor/Base

for use with Standard Receptors

FIG.1

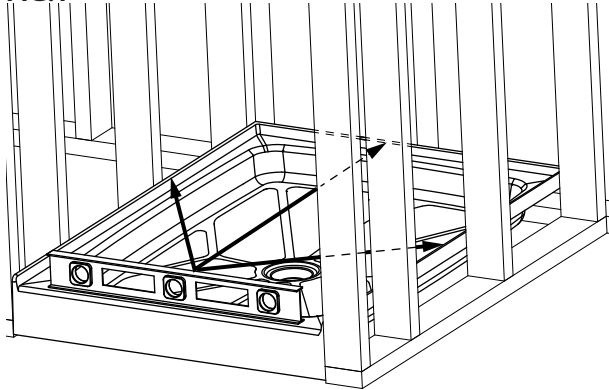
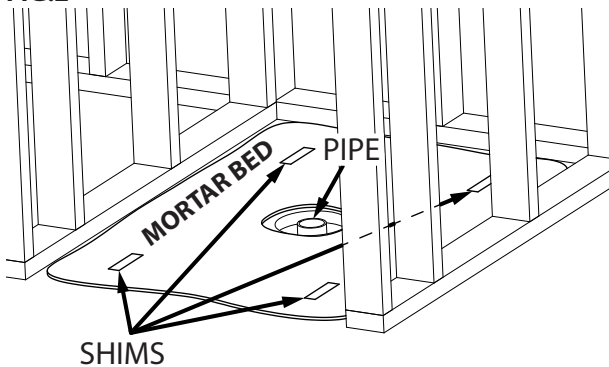


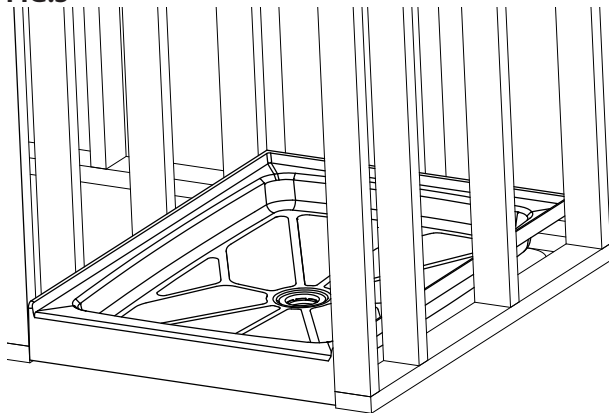
FIG.2



Note:

- For substrate deviations or voids greater than 1/2" (12.70mm), use a Type N mortar mix.
- For substrate deviations or voids less than 1/2" (12.70mm), use a thinset-type mortar mix.

FIG.3



INSTALLATION OF THE SHOWER RECEPTOR/BASE

Note:

- Receptor is installed before green board/cement board or other wall substrate.

1. Using the 2' or 4' level (which ever fits in your opening), make sure the floor substrate is level in all directions. Place shims as needed to level floor substrate prior to dry fitting base.

2. Dry fit the receptor, there should be a 3/16" gap from the stud walls. For the brass drain assembly, cut the drain pipe flush with the floor.

3. Using a level, check for level in the locations shown (i.e. side to side and front to back). Make necessary changes, to shims, to ensure receptor is level. See Figure 1.

4. Remove receptor from the opening. Mix the mortar. Apply enough mortar to fill all voids and fully support the entire receptor. Be careful not to move the shims. See Figure 2.

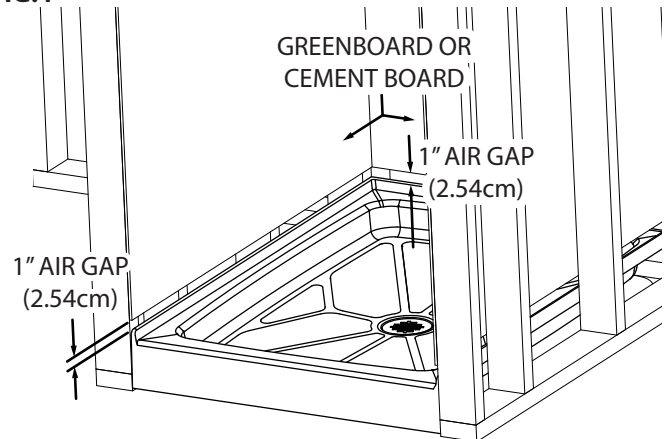
5. Install drain assembly. See manufacturer's installation instructions and instructions on the following pages.

6. Return the receptor to the opening and shift back-and-forth until it is resting firmly on the mortar bed and shims. Confirm receptor is still level in all directions. See Figure 1. Adjust if necessary. After mortar is set, cut off any exposed shims. See Figure 3.

7. Once the mortar cures, tighten the drain sleeve compression nut and install the strainer as shown in the drain assembly instructions.

8. Install green board/cement board or other wall substrate stopping 1" (2.54cm) above the water barrier. See Figure 4.

FIG.4



BioPrism® Solid Surface Installation Instructions Shower Receptor/Base

for use with Standard Receptors

FIG.5

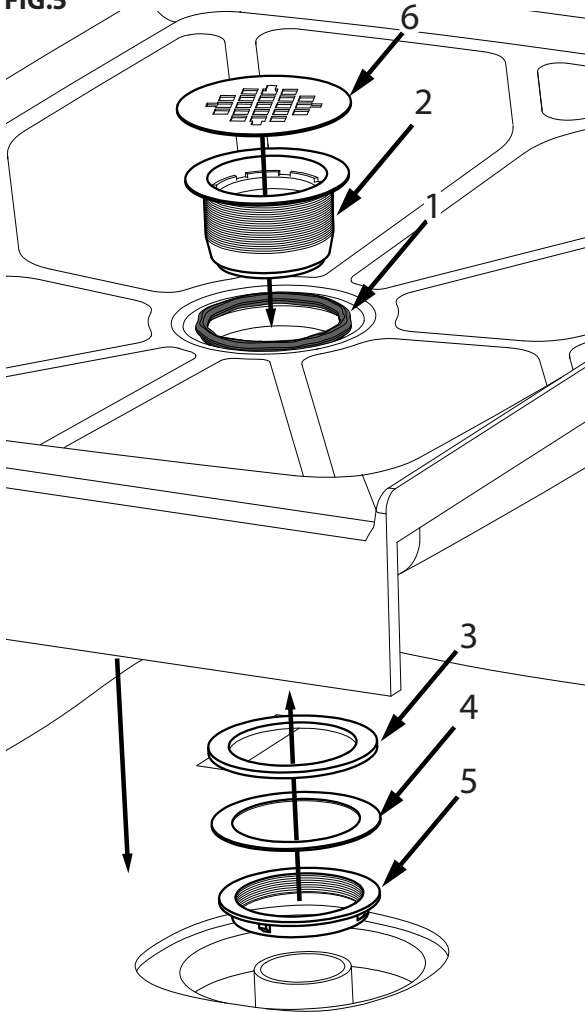
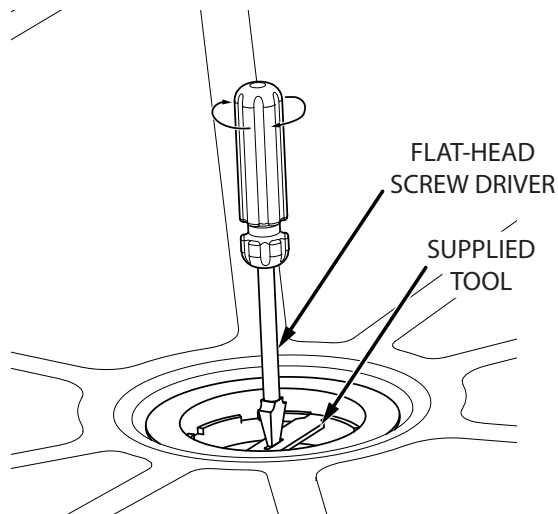
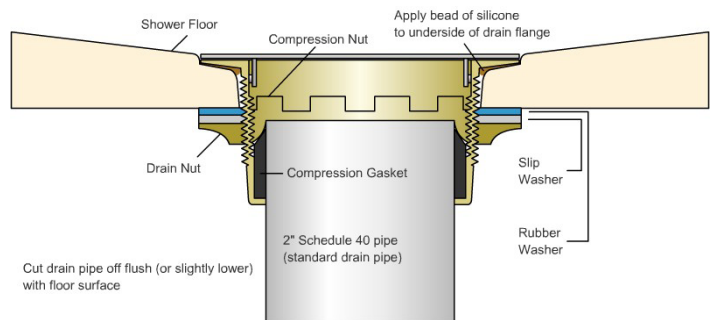


FIG.6



DRAIN INSTALLATION INSTRUCTIONS

1. Apply a bead of silicone sealant to form a water tight seal. *See Figure 5 Item 1.*
 2. Insert the drain body (*Figure 5 Item 2*) into the drain opening, apply light pressure to seat the drain body in the bead of silicone sealant.
 3. Slide the rubber washer (*Figure 5 Item 3*) and fiber gasket (*Figure 5 Item 4*) onto the end of the drain body that is sticking out of the receptor base.
 4. Thread the locking nut (*Figure 5 Item 5*) onto the end of the drain body, tighten the nut to secure the drain assembly to the receptor base.
- Note:**
- Do not over tighten the locking nut, this could crack the receptor base.
 - Clean any excess silicone that squeezes out with denatured alcohol and white paper towel or clean rags.
5. Carefully lower the receptor over the 2" (5.08cm) Schedule 40 DWV pipe. If you **DO NOT** have a 2" (5.08cm) Schedule 40 DWV pipe, you will need a different rubber sleeve compression gasket for the drain assembly. Please contact your local plumbing supplier.
 6. Using the supplied tool and a flat-head screwdriver, tighten the compression nut to tighten the compression sleeve onto the drain pipe. *See Figure 6.*
 7. Install strainer by centering the strainer on the drain body and pressing down firmly to seat the tangs onto the drain body. *See Figure 5 Item 6.*



ENDURANT® Washroom Systems

inpro.com • 800.222.5556 • 262.679.9010

World Headquarters S80 W18766 Apollo Drive, Muskego, WI 53150 USA

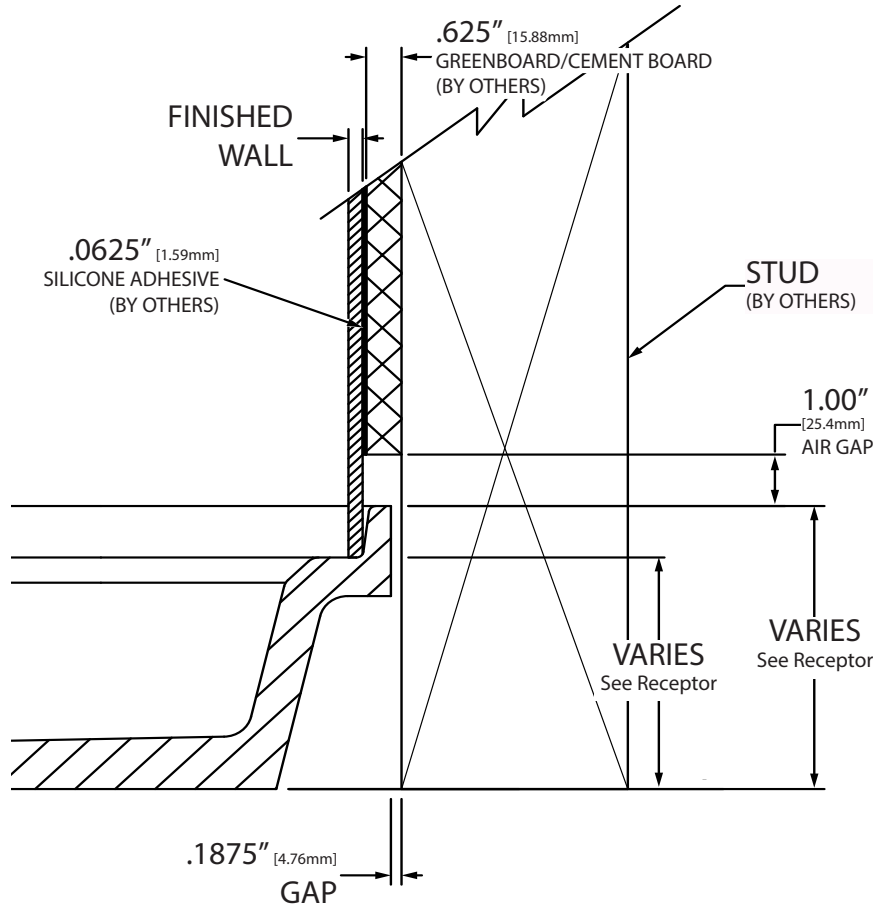
Installation Hotline: 866.394.6776

inpro®

BioPrism® Solid Surface Installation Instructions Shower Receptor/Base

for use with Standard Receptors

Water Barrier with Flange



Receptor Dimension Table

Square and Rectangular		
Inside Clear Dimension, Wall to Wall with 5/8" Substrate	Outside Receptor Dimension	Rough-in Dimensions
30 1/2" x 31 1/4" [774.7 x 793.8]	32" x 32" [812.8 x 812.8]	32 3/8" x 32 3/16" [822.3 x 817.6]
34 1/2" x 35 1/4" [876.3 x 895.4]	36" x 36" [914.4 x 914.4]	36 3/8" x 36 3/16" [923.9 x 919.2]
28 1/2" x 41 1/4" [723.93 x 1047.8]	30" x 42" [762 x 1066.8]	30 3/8" x 42 3/16" [771.5 x 1071.6]
40 3/8" x 35 1/4" [1025.5 x 895.4]	41 7/8" x 36" [1063.6 x 914.4]	42 1/4" x 36 3/16" [1073.2 x 919.2]

Neo-Angle		
Inside Clear Dimension, Wall to Wall with 5/8" Substrate	Outside Receptor Dimension	Rough-in Dimensions
40 7/8" x 40 7/8" [1038.2 x 1038.2]	41 5/8" x 41 5/8" [1057.3 x 1057.3]	N/A
40 5/8" x 40 5/8" [1031.9 x 1031.9]	42 1/8" x 42 1/8" w/ 12" Wing Walls [1070 x 1070 w/304.8 Wing Walls]	42 1/2" x 42 1/2" w/12" Wing Walls [1079.5 x 1079.5 w/304.8 Wing Walls] *

Tub Replacement		
Inside Clear Dimension, Wall to Wall with 5/8" Substrate	Outside Receptor Dimension	Rough-in Dimensions
58 1/4" x 31 1/4" [1479.6 x 793.8]	59 3/4" x 32" [1517.6 x 812.8] (Left Side Drain)	60 1/8" x 32 3/16" [1527.2 x 817.6]
58 1/4" x 31 1/4" [1479.6 x 793.8]	59 3/4" x 32" [1517.6 x 812.8] (Right Side Drain)	60 1/8" x 32 3/16" [1527.2 x 817.6]

Dimensions are Width x Depth
Dimensions in [] are in mm

* Install wing walls after shower base installation

ENDURANT® Washroom Systems

inpro.com • 800.222.5556 • 262.679.9010

World Headquarters S80 W18766 Apollo Drive, Muskego, WI 53150 USA

Installation Hotline: 866.394.6776

inpro®